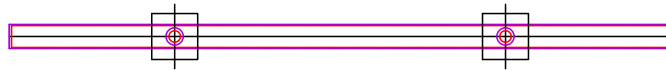
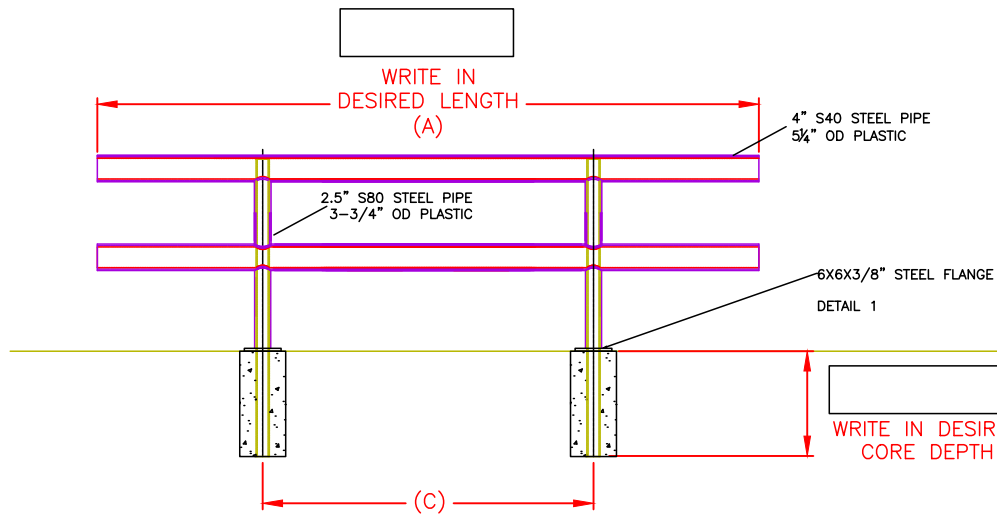


CORED TWO LINE STANDARD GUARDRAIL
 PART#: SGR-2-LENGTH-HEIGHT-CORED

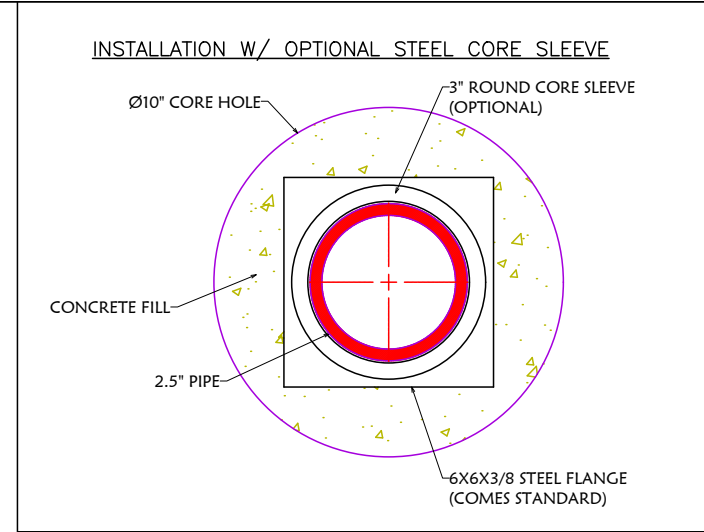
TWO LINE STANDARD GUARDRAIL SIZE CHART		
STANDARD LENGTH (A)	STANDARD HEIGHT (B)	POST TO POST LENGTH (C)
4'-0"	27",36",42"	2'-0"
6'-0"	27",36",42"	3'-0"
8'-0"	27",36",42"	4'-0"
10'-0"	27",36",42"	5'-0"
12'-0"	27",36",42"	6'-0"
CUSTOM	CUSTOM	(C)=(A)/2



TOP VIEW

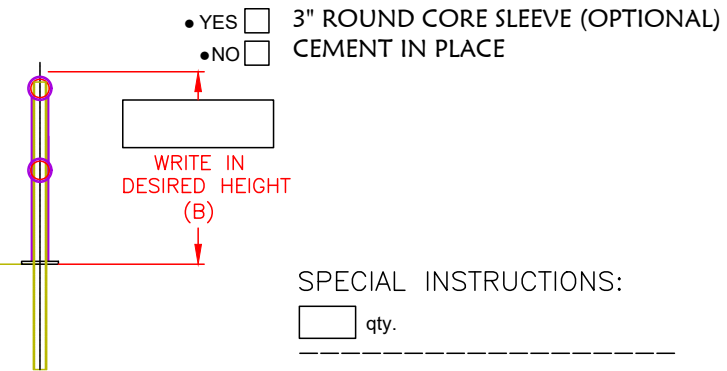


FRONT VIEW



INSTALLATION:
 FOR INSTALLATION SET PRODUCT IN AT LEAST 12" INCH DEEP HOLE AND FILL WITH CONCRETE

DETAIL 1



SIDE VIEW

SPECIAL INSTRUCTIONS:

qty.

NO.	REVISIONS	DATE	APPROVED

PROJECT: _____
 CUSTOMER: _____

APPROVED BY: _____

DESCRIPTION: _____

DRAWN BY: DP	APPROVED BY:	DATE:
PROJECT NO.:	SCALE:	
DRAWING NO.:		
SHEET: 1 OF 1		

***SIGNATURE REQUIRED FOR SUBMITTAL**