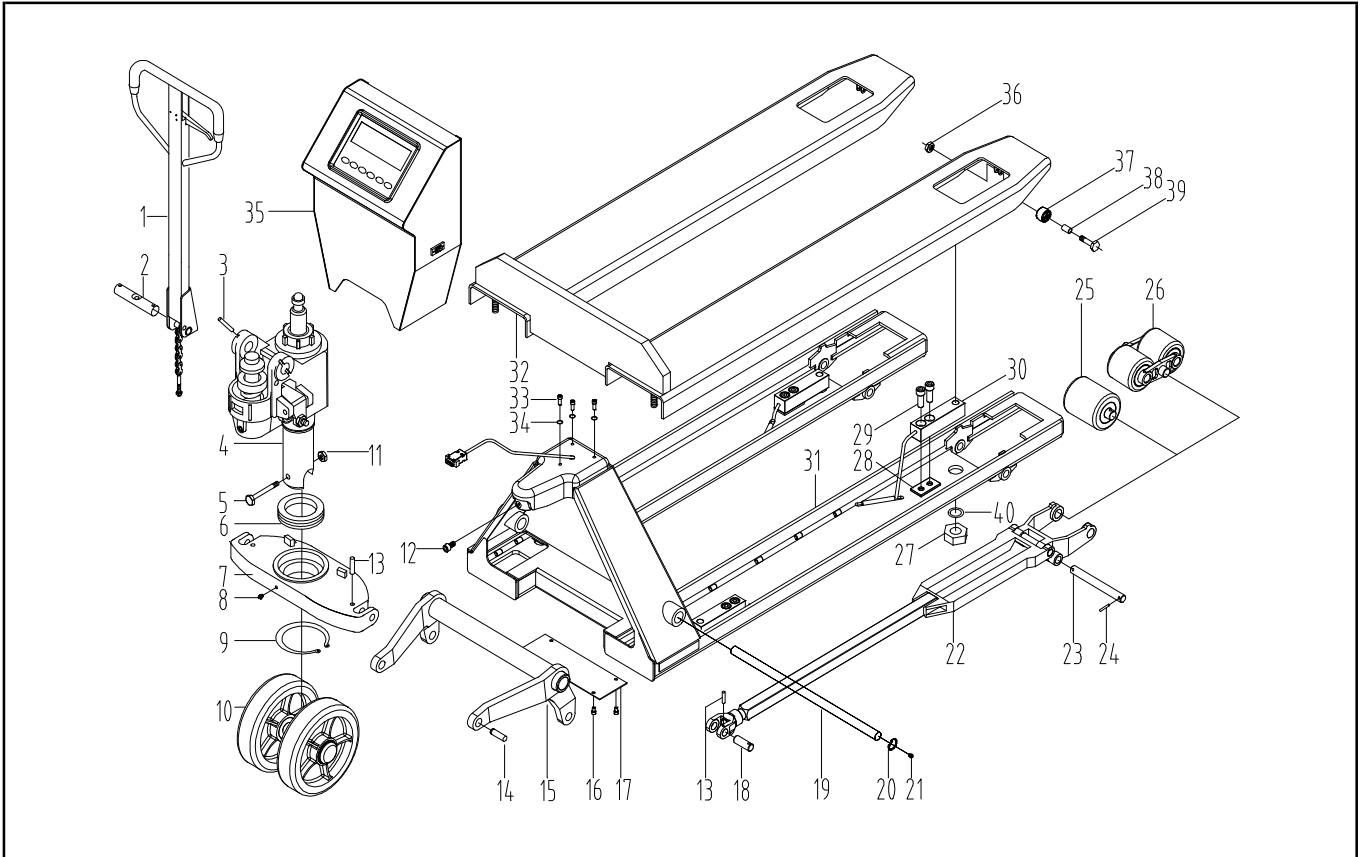


# **Spare parts list**

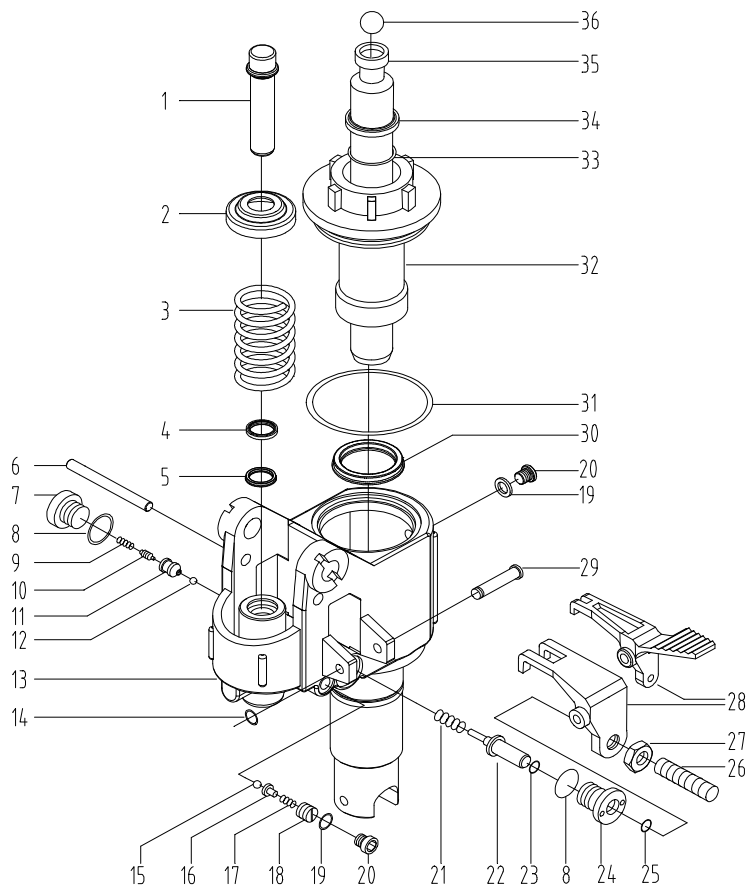
**BFC\_6 Weighing Pallet Truck  
Interthor**

# BFC6 Assembly



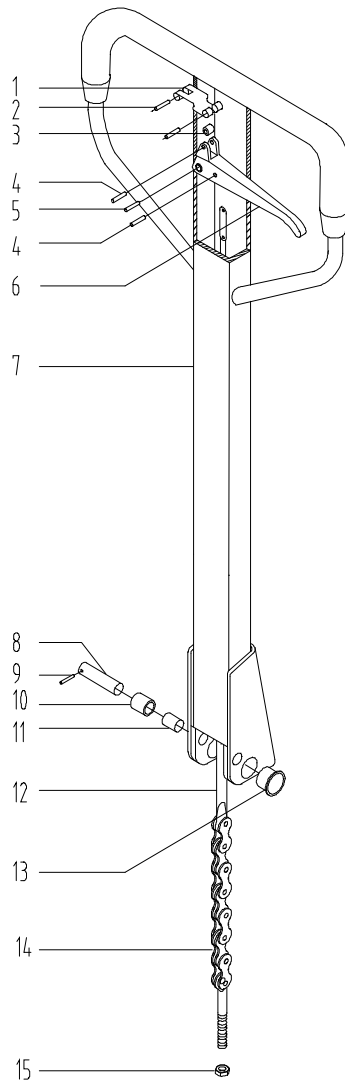
No.	Coad No.	Name	Qty	Remark	No.	Coad No.	Name	Qty	Remark
1	BF.1-00	Handle	1		21	GB1152-79	Oil cup	2	
2	BF-01	Pressure shaft	1		22	BFC6.2-00	Push rod system	2	
3	GB879-86	Spring pin	2		23	DB.3.3-04	shaft	2	
4	BF.2-00	Pump	1		24	GB879-86	Spring pin	4	
5	GB5782-86	Bolt	1		25	DB.5-00	Single wheel system	2	
6	GB306-64	Bearing	1		26	DB.6-00	Double wheel system	2	
7	BF-03	Support base	1		27	GB889-86	Nut	4	
8	GB1152-79	Oil cup	1		28	BFC6-02	Washer	4	
9	GB894.1-86	Retaining ring for axle	1		29	GB70-85	Bolt	4	
10	BF.11-00	Big wheel system	1		30	BFC6-01	Sensor	4	
11	GB889-86	Nut	1		31	BFC6.1-00	Fork base	1	
12	GB70-85	Bolt	1		32	BFC6.3-00	Scale pan	1	
13	GB879-86	Spring pin	4		33	GB70-85	Bolt	3	
14	BF-04	Pin	2		34	GB93-1987	Spring washer	3	
15	BF.3-00	Rocker arm	1		35	BFC6.5-00	Meter box	1	
16	GB67-85	Bolt	4		36	GB889-86	Nut	2	
17	BFC6-03	Cover	1		37	AF-09	Small wheel	2	
18	DF-01	Pin	2		38	AF-08	Tube	2	
19	AF-02	Long shaft	1		39	GB5782-86	Bolt	2	
20	GB893-86	Retaining ring for hole	2		40	BFC6-04	Rubber washer	4	

## BFC6 PUMP



No.	Coad No.	Name	Qty	Remark	No.	Coad No.	Name	Qty	Remark
1	BF.2-1	Pump plunger	1		20	CN.2-17	Bolt	2	
2	AF.2-3	Washer	1		21	BF.2-5	Spring	1	
3	BF.2-6a	Spring	1		22	AF.2-7	Strike pin	1	
4	DH20	Dust ring	1		23	GB3452.1-82	O-Ring	1	
5	UHS20	Y-Ring	1		24	AF.2-06a	Copper washer	1	
6	AM-19	Pin	1		25	GB3452.1-82	O-Ring	1	
7	JF.1-17	Plug	1		26	GB73-85	Bolt	1	
8	JB982-77	Copper washer	2		27	GB6170-86	Nut	1	
9	AF.2-9	pring	1		28	AF.2-08	Lever plate	1	Hand
10	SYBC2-07	Spindle of damping valve	1			AF.2-08III	Lever plate	1	foot
11	SYBC.2-08	Seat of damping	1		29	BF.2-3	Pin	1	
12	GB308-77	Steel ball steel ball	1		30	UHS31.5	Y-Ring	1	
13	BF.2.1-00	Base	1		31	GB3452.1-82	O-Ring	1	
14	GB894.1-86	Retaining ring for axle	1		32	BF.2-2a	Cylinder cap	1	
15	GB308-77	Steel ball	1		33	GB3452.1-82	O-Ring	1	
16	CN.2-26	Ball base	1		34	DH31.5	Dust ring	1	
17	CN.2-27	Spring	1		35	AF.2-4	Piston rod	1	
18	CN.2-28	Bolt	1		36	GB308-77	Steel ball	1	
19	JB982-77	Copper washer	2						

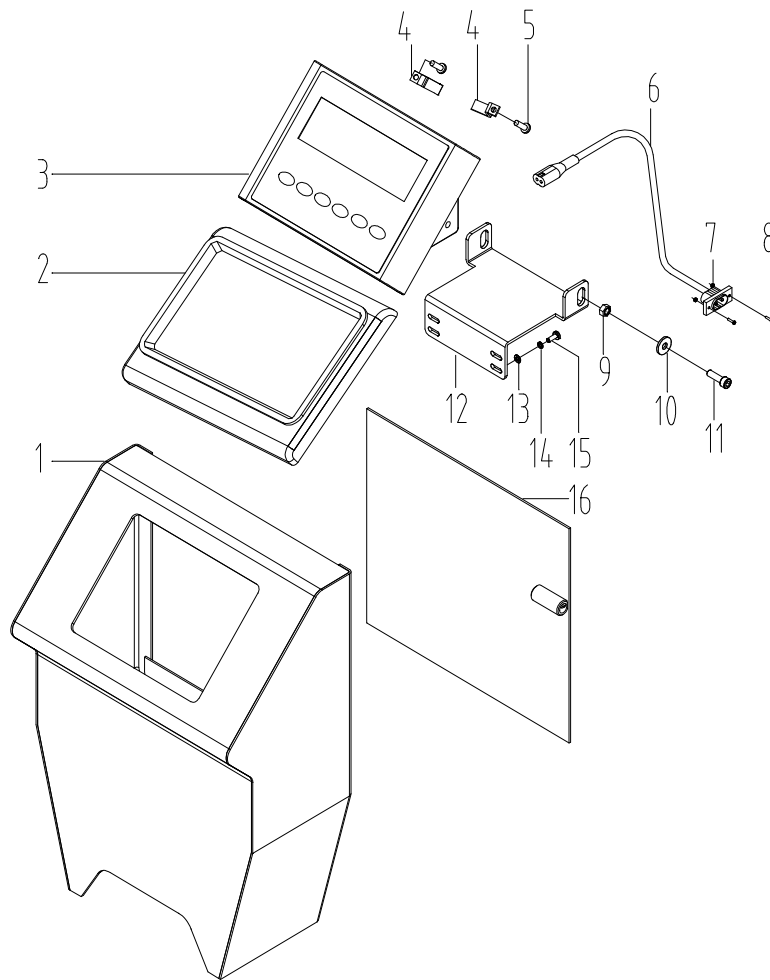
# BFC6 Handle



No.	Coad No.	Name	Qty	Remark
1	DF.1-01a	Blade spring	1	
2	GB879-86	Spring pin	2	
3	DF.1-02	Roller	1	
4	GB879-86	Spring pin	2	
5	GB879-86	SPRING PIN	1	
6	DF.1-03	HANDLE	1	
7	BF.1.1-00	HANDLE TUBE	1	
8	DF I .2-04	SHAFT	1	
9	GB879-86	SPRING PIN	1	
10	CN.2-13	PRESSURE ROLLER	1	
11	CSB10	BUSH	1	
12	DF.1.2-00	PULL POLE	1	
13	SF-1	BUSH	2	
14		CHAIN	1	
15	GB889-86	NUT	1	

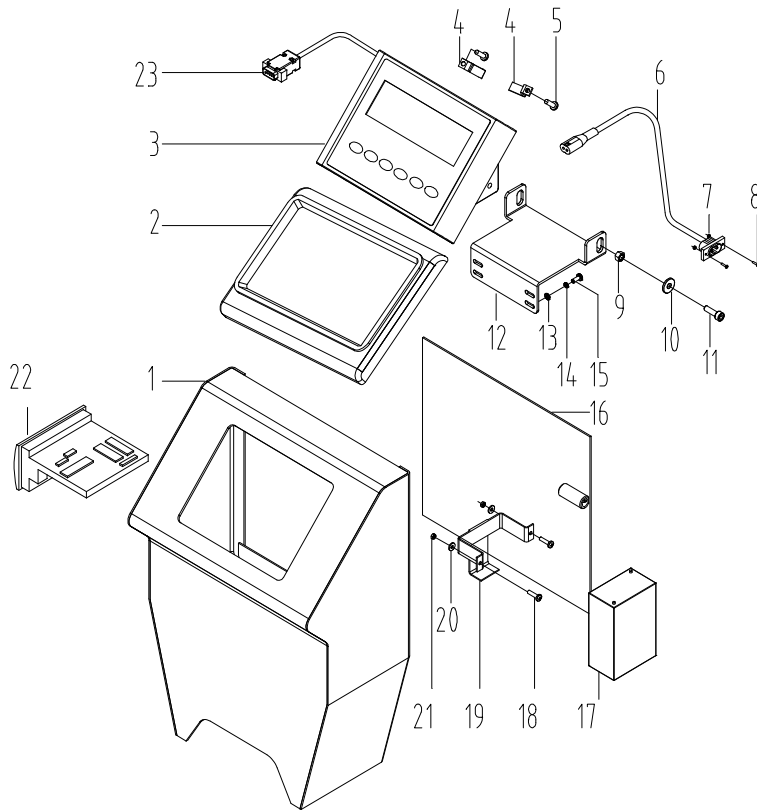


## BFCD5 Meter box



No.	Coad No.	Name	Qty.	Remark
1	BFCD5.1-00	Meter frame	1	
2	BFCD5-01	Rubber ring	1	
3		Meter	1	
4	BFCD5-02	Clamp	4	
5	GB818-85	Bolt	4	
6	BFCD5-03 (IND231)	Power line	1	From Serial No.: 3489409
7	GB889-86	Nut	2	
8	GB818-85	Bolt	2	
9	GB889-86	Nut	2	
10	GB96-1985	Washer	2	
11	GB70-85	Bolt	2	
12	BFCD5.3-00	Clamp board	1	
13	GB95-85	Washer	4	
14	GB93-1987	Spring washer	4	
15	GB818-85	Bolt	4	
16	BFCD5.2-00	Door	1	

## BFCD5 Meter box (printer)



No.	Coad No.	Name	Qty.	Remark
1	BFCD5.1-00	METER FRAME	1	
2	BFCD5-01	RUBBER RING	1	
3		METER	1	
4	BFCD5-02	CLAMP	4	
5	GB818-85	BOLT	4	
6	BFCD5-03 (IND231)	POWER LINE	1	From Serial No.: 3489409
7	GB889-86	NUT	2	
8	GB818-85	BOLT	2	
9	GB889-86	NUT	2	
10	GB96-1985	WASHER	2	
11	GB70-85	BOLT	2	
12	BFCD5.3-00	CLAMP BOARD	1	
13	GB95-85	WASHER	4	
14	GB93-1987	SPRING WASHER	4	
15	GB818-85	BOLT	4	
16	BFCD5.2-00	DOOR	1	
17		电瓶6V4.5Ah	1	
18	GB818-85	BOLT	2	
19	BFCD2-02	电池夹	1	
20	GB93-1987	SPRING WASHER	2	
21	GB41-86	NUT	2	
22		PRINTER	1	
23	BFCD4-03	PRINTER LINE	1	







