

Model 777 GEN 2 - LED Forklift Warning Light and ARC Safety Light

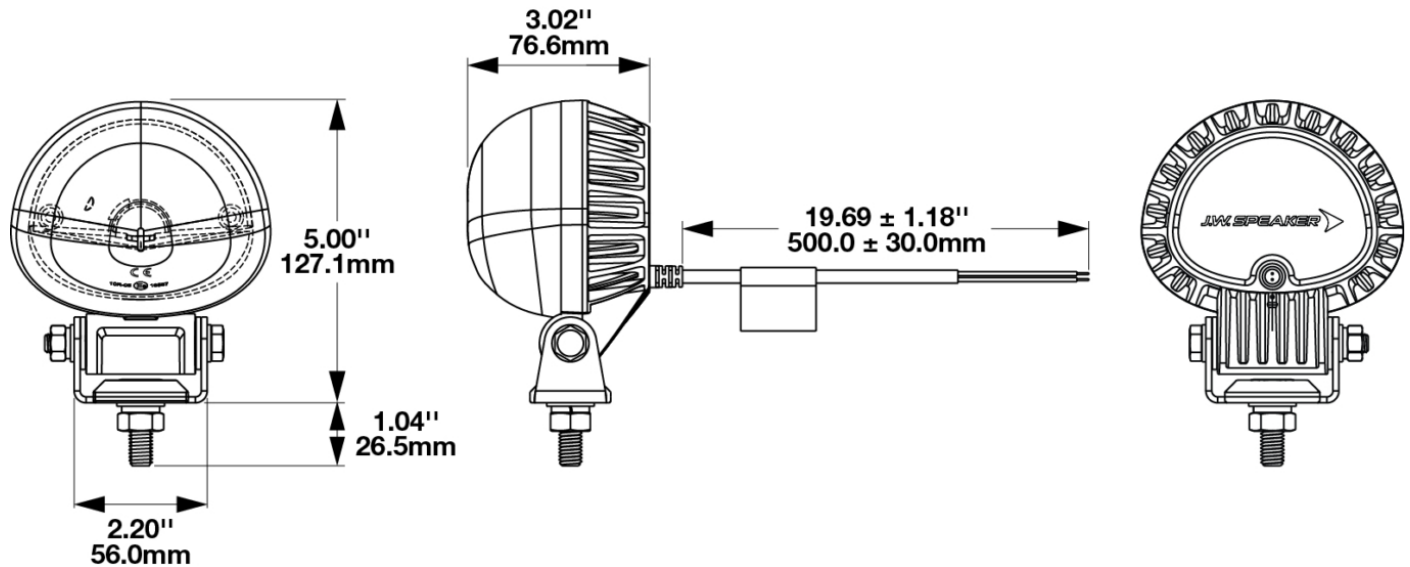
PRODUCT INFORMATION

Description	12-72V DC ARC Warning Light – Blue
Height	127.10 mm / 5 in
Width	110.30 mm / 4.34 in
Depth	76.60 mm / 3.02 in
Outer Lens Material	Polycarbonate
Outer Lens Color	Clear
Housing Material	Die-Cast Aluminum
Housing Color	Black
Bezel Color	Black
Mounting Hardware Description	(x1) M10-30
Mounting Type	Pedestal
Minimum Operating Temperature	-40 °C / -40 °F
Maximum Operating Temperature	65 °C / 149 °F
Connector or Wiring	19.5" Bare Leads (tinned)
Product Weight	1.50 lbs / 0.68 kgs



Model 777 GEN 2 - LED Forklift Warning Light and ARC Safety Light

PRODUCT DIMENSIONS



ELECTRICAL SPECIFICATIONS

Input Voltage	12-72V DC
Operating Voltage	10-80V DC
Transient Spike Protection	330V Peak @ 1 HZ-100 Pulses
Black Wire	Negative
Red Wire	Positive
Current Draw	1.09A @ 12V DC 0.52A @ 24V DC 0.34A @ 36V DC 0.26A @ 48V DC 0.21A @ 60V DC 0.18A @ 72V DC

Model 777 GEN 2 - LED Forklift Warning Light and ARC Safety Light

REGULATORY STANDARDS COMPLIANCE

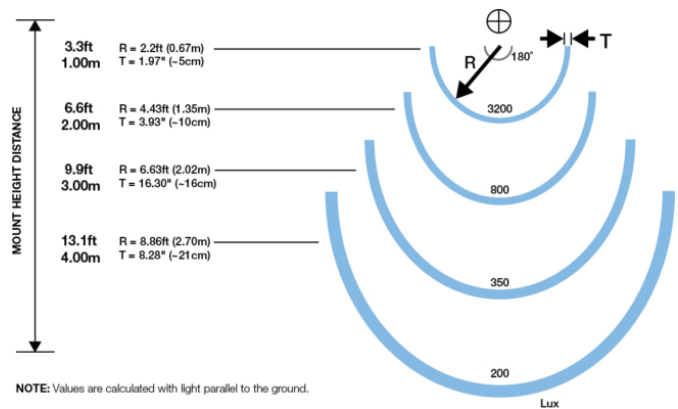


ECE Reg 10
IEC IP69K
SAE J1455

IEC IP67
SAE J1113-13

PHOTOMETRIC SPECIFICATIONS

Effective Lumen Output 100
Candela Output 3200
Beam Pattern(s) Warning - Keep Out Zone



APPLICATIONS



Model 777 GEN 2 - LED Forklift Warning Light and ARC Safety Light

PRODUCT WARNINGS

For California residents:

⚠ WARNING: Cancer and reproductive harm - www.P65Warnings.ca.gov.

⚠ AVERTISSEMENT: Cancer et effet nocif sur la reproduction - www.P65Warnings.ca.gov.

ACCESSORIES



Part Number

8200121

Black Mount Kit for XD
Series Work Lights

RELATED PRODUCTS



Part Number

1403601

12-72V DC ARC
Warning Light - Red



Part Number

1403621

12-72V DC ARC
Warning Light - Green