

# Model 777 GEN 2 - LED Forklift Warning Light and ARC Safety Light

## PRODUCT INFORMATION

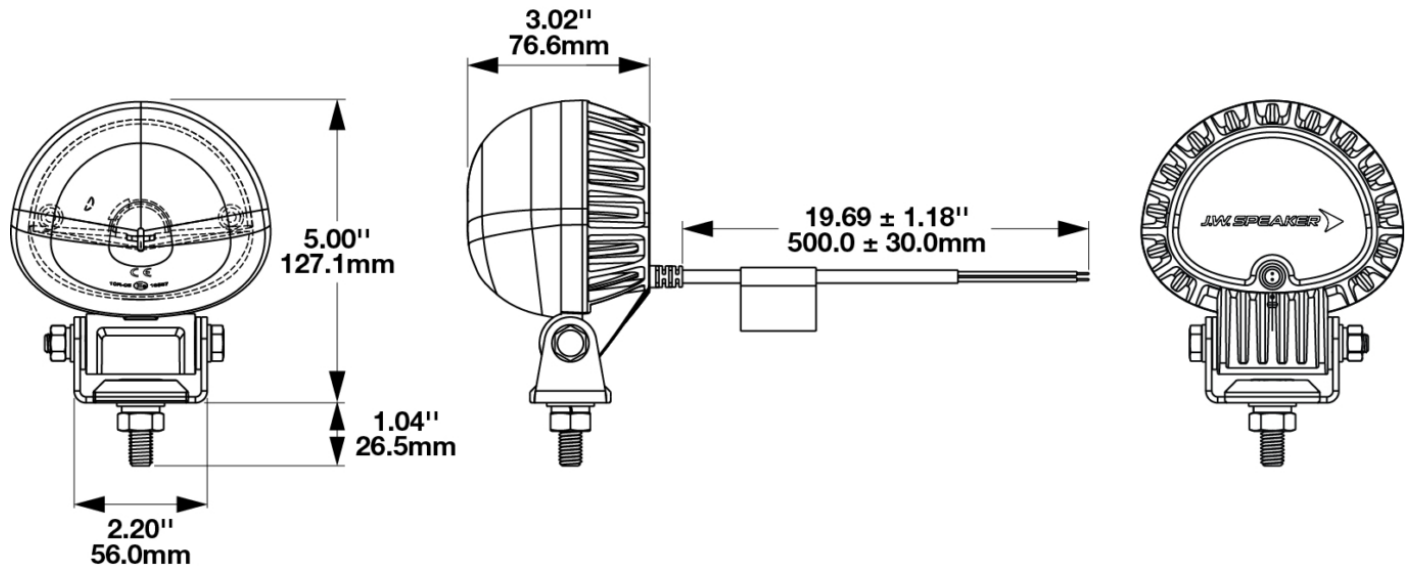
---

<b>Description</b>	12-72V DC ARC Warning Light – Red
<b>Height</b>	127.10 mm / 5 in
<b>Width</b>	110.30 mm / 4.34 in
<b>Depth</b>	76.60 mm / 3.02 in
<b>Outer Lens Material</b>	Polycarbonate
<b>Outer Lens Color</b>	Clear
<b>Housing Material</b>	Die-Cast Aluminum
<b>Housing Color</b>	Black
<b>Bezel Color</b>	Black
<b>Mounting Hardware Description</b>	(x1) M10-30
<b>Mounting Type</b>	Pedestal
<b>Minimum Operating Temperature</b>	-40 °C / -40 °F
<b>Maximum Operating Temperature</b>	65 °C / 149 °F
<b>Connector or Wiring</b>	19.5" Bare Leads (tinned)
<b>Product Weight</b>	1.50 lbs / 0.68 kgs



# Model 777 GEN 2 - LED Forklift Warning Light and ARC Safety Light

## PRODUCT DIMENSIONS



## ELECTRICAL SPECIFICATIONS

<b>Input Voltage</b>	12-72V DC
<b>Operating Voltage</b>	10-80V DC
<b>Transient Spike Protection</b>	330V Peak @ 1 HZ-100 Pulses
<b>Black Wire</b>	Negative
<b>Red Wire</b>	Positive
<b>Current Draw</b>	1.08A @ 12V DC 0.51A @ 24V DC 0.34A @ 36V DC 0.26A @ 48V DC 0.21A @ 60V DC 0.18A @ 72V DC

# Model 777 GEN 2 - LED Forklift Warning Light and ARC Safety Light

## REGULATORY STANDARDS COMPLIANCE

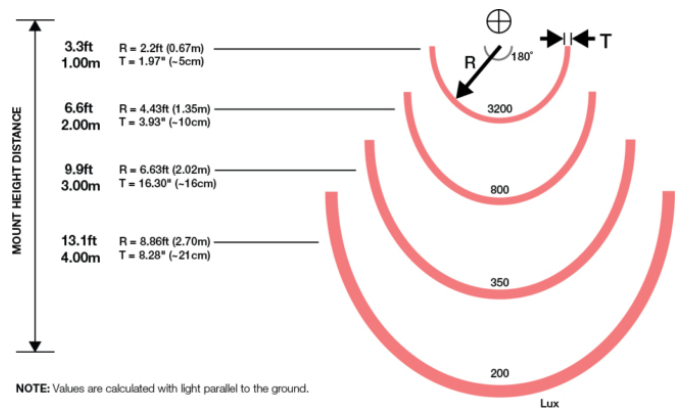


ECE Reg 10  
IEC IP69K  
SAE J1455

IEC IP67  
SAE J1113-13

## PHOTOMETRIC SPECIFICATIONS

**Effective Lumen Output** 100  
**Candela Output** 3200  
**Beam Pattern(s)** Warning - Keep Out Zone



## APPLICATIONS



# Model 777 GEN 2 - LED Forklift Warning Light and ARC Safety Light

## PRODUCT WARNINGS

---

For California residents:

⚠ **WARNING:** Cancer and reproductive harm - [www.P65Warnings.ca.gov](http://www.P65Warnings.ca.gov).

⚠ **AVERTISSEMENT:** Cancer et effet nocif sur la reproduction - [www.P65Warnings.ca.gov](http://www.P65Warnings.ca.gov).

## ACCESSORIES

---



**Part Number**

**8200121**

Black Mount Kit for XD  
Series Work Lights

## RELATED PRODUCTS

---



**Part Number**

**1403611**

12-72V DC ARC  
Warning Light - Blue



**Part Number**

**1403621**

12-72V DC ARC  
Warning Light - Green