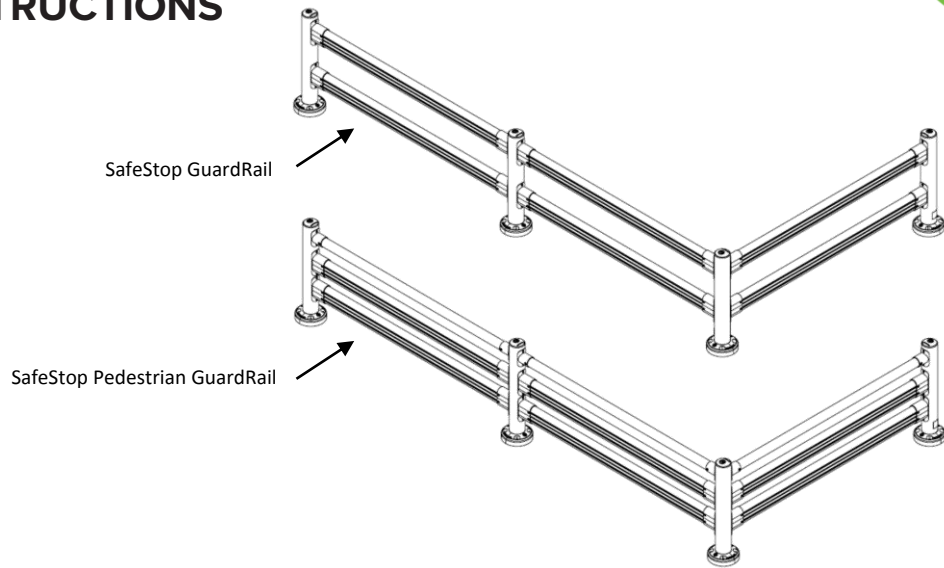


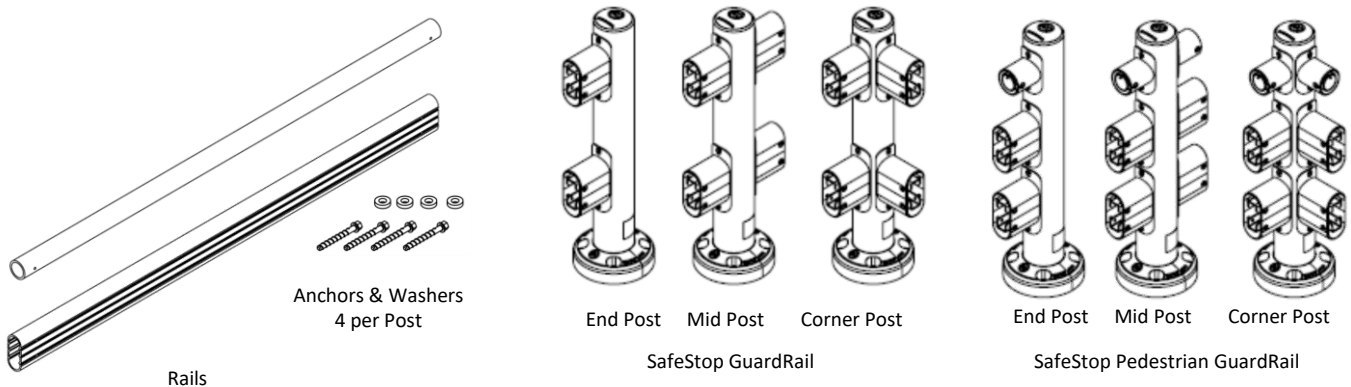
SafeStop GuardRail & SafeStop Pedestrian GuardRail



INSTALLATION INSTRUCTIONS

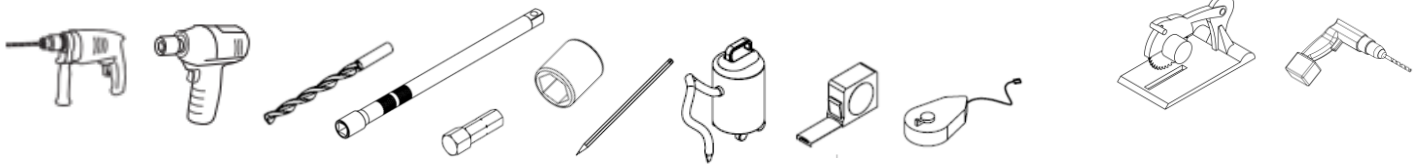


Components (varies by installation)



Tools Required

For Custom Lengths



- Hammer Drill
- 1/2" Concrete Bit (or 12mm)
- Pencil/Marker
- Impact Driver/Drill
- 8mm Hex Bit (or 5/16")
- Tape Measure
- Vacuum Cleaner
- 3/4" Socket (or 19mm)
- Socket Extension (opt.)
- Chalk Line
- Rubber Mallet (opt.)
- 1/2" Drill Bit (opt.)
- Saw
- Drill with 1/2" Bit



McCue Corporation
 Danvers, Massachusetts, USA
 +1 (800) 800 8503
 customercare@mccue.com

McCue UK & Europe
 Milton Keynes, United Kingdom
 +44 (0)1908 365 511
 uksales@mccue.com

McCue Asia
 迈客(厦门)有限公司
 Xiamen, Fujian, China
 +86-592-2200790

mccue.com

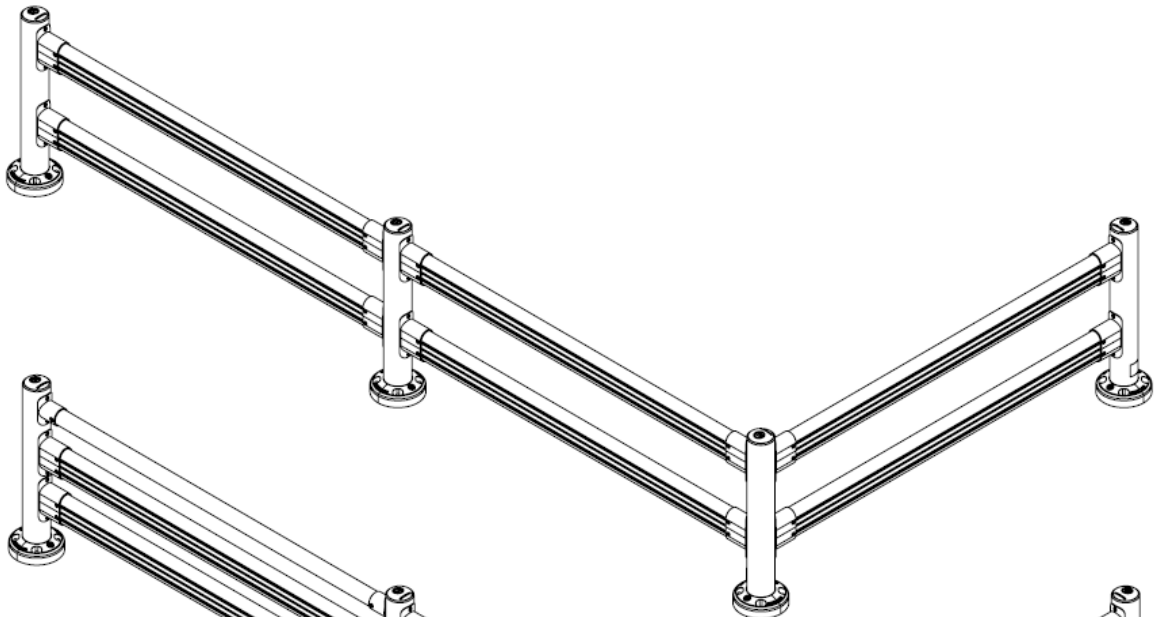




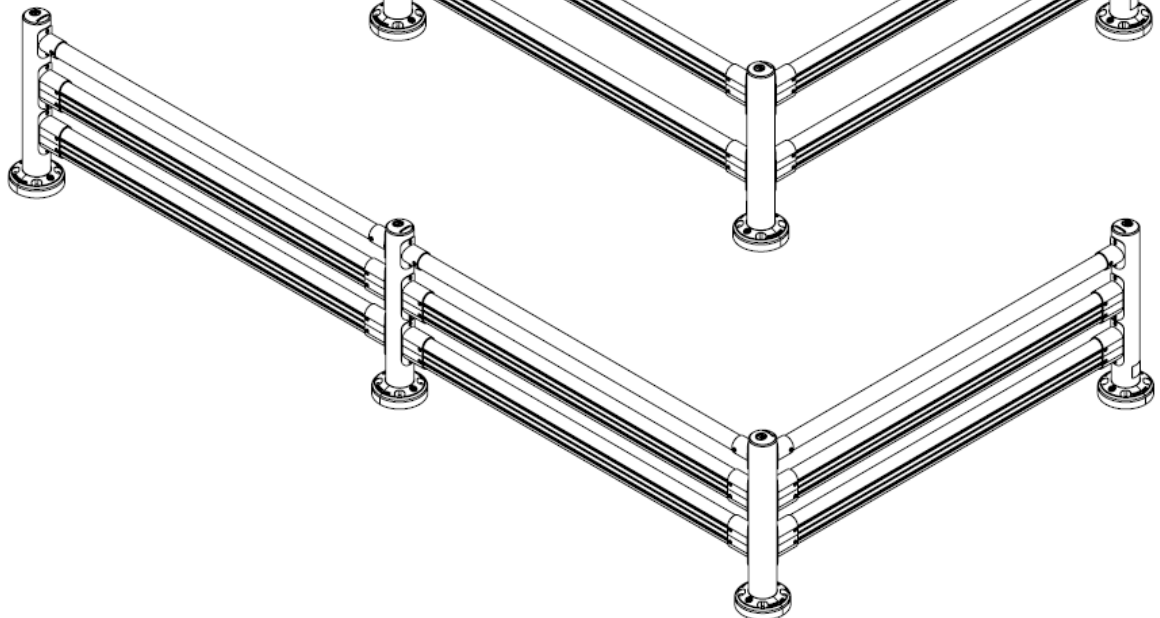
- PPE recommended: High visibility vest, Steel Toe Boots, Work Gloves, Ear Protection, Dust Mask, Eye Protection.
- Clean concrete dust by running the vacuum during drilling.

These instructions are for SafeStop GuardRail and SafeStop Pedestrian GuardRail configurations as shown below. For simplicity, the Pedestrian Guardrail will be shown in all images. Configurations and components vary by install.

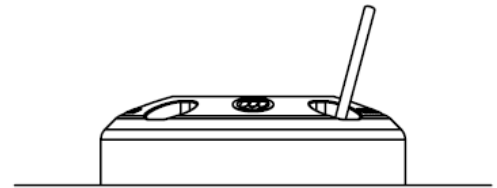
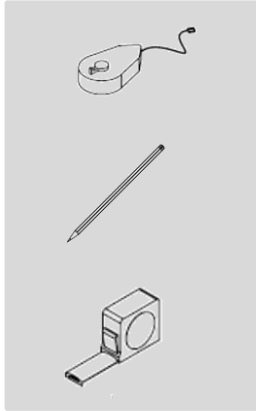
SafeStop
GuardRail



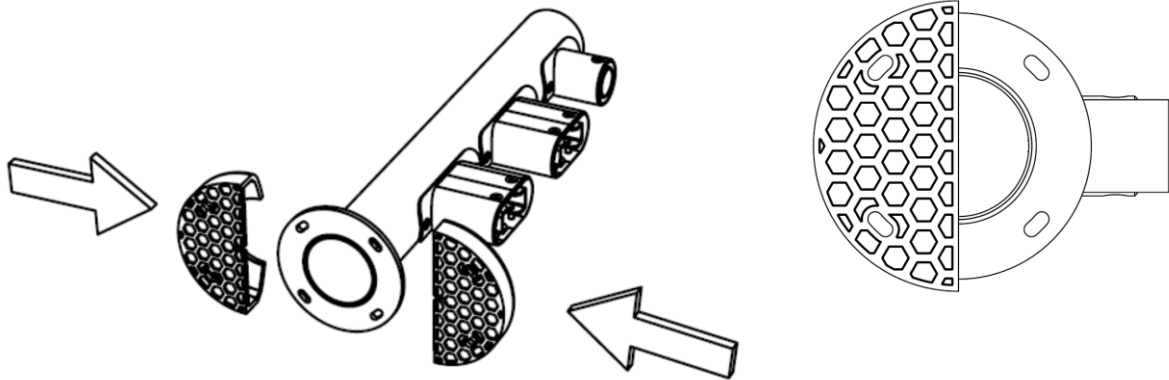
Pedestrian
GuardRail



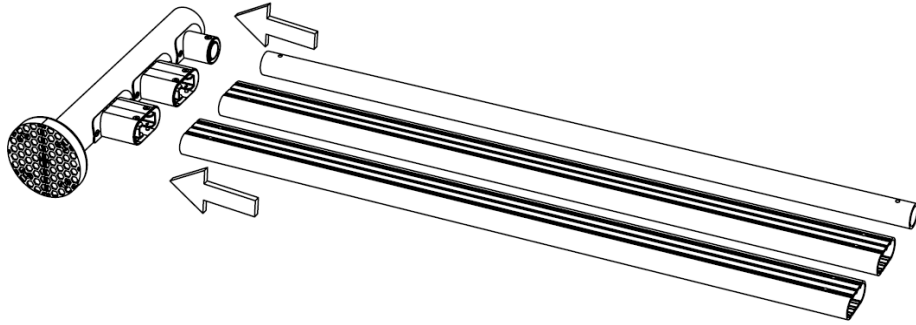
- 1 Snap chalk line where GuardRail will be installed and use the Shock Absorber to mark holes for your first post.



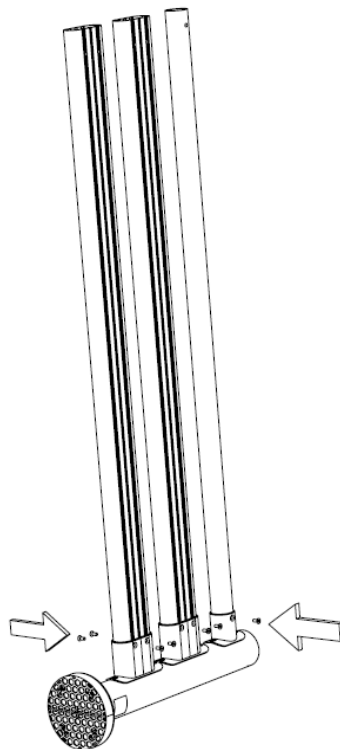
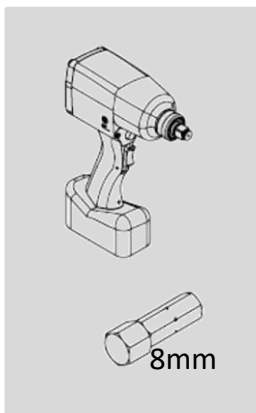
- 2 Install Shock Absorbers over baseplate.



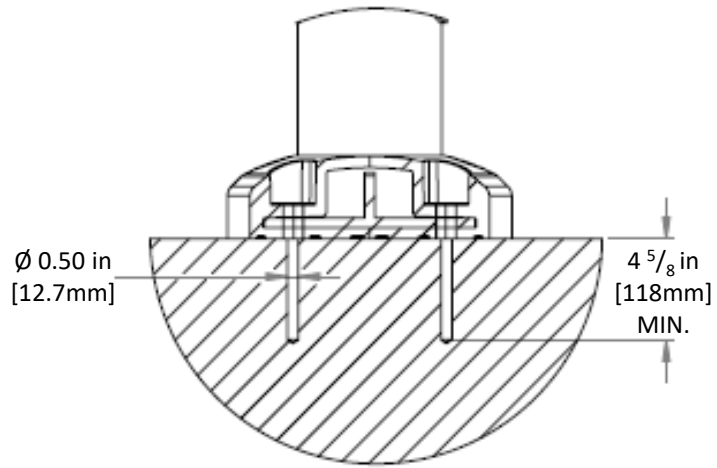
- 3** Insert Rails so holes in rails align with holes in cups on post.



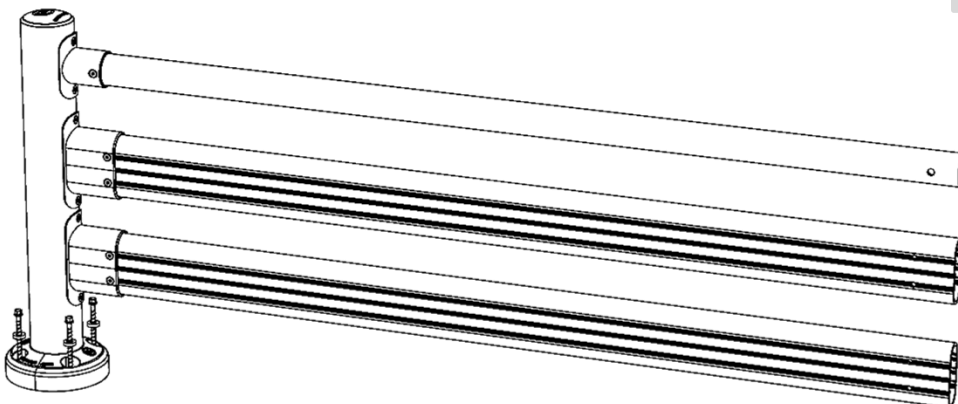
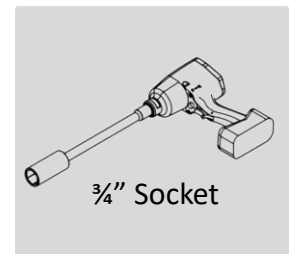
- 4** Fasten M12 screws through post cups to secure rails.



5 Drill holes for first post using ½" drill bit, 4-5/8" minimum depth.



6 Move post in to place. Fasten post to floor with ½" concrete anchors through washers.



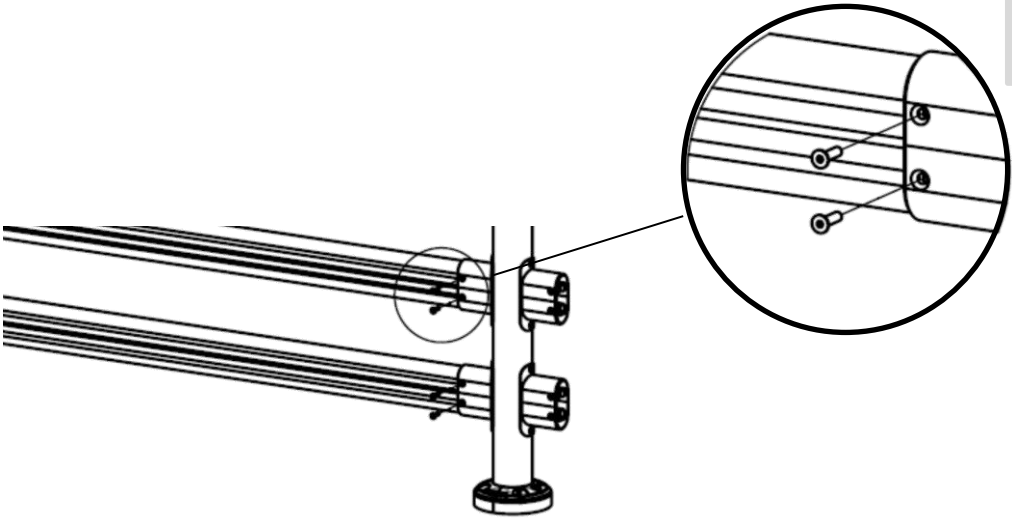
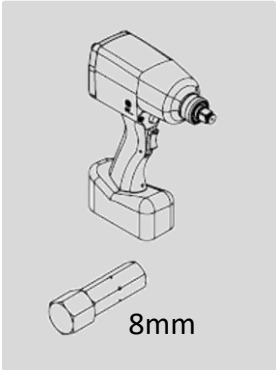
7

Align next post. Insert rails into cups starting with the bottom cup, working upwards.

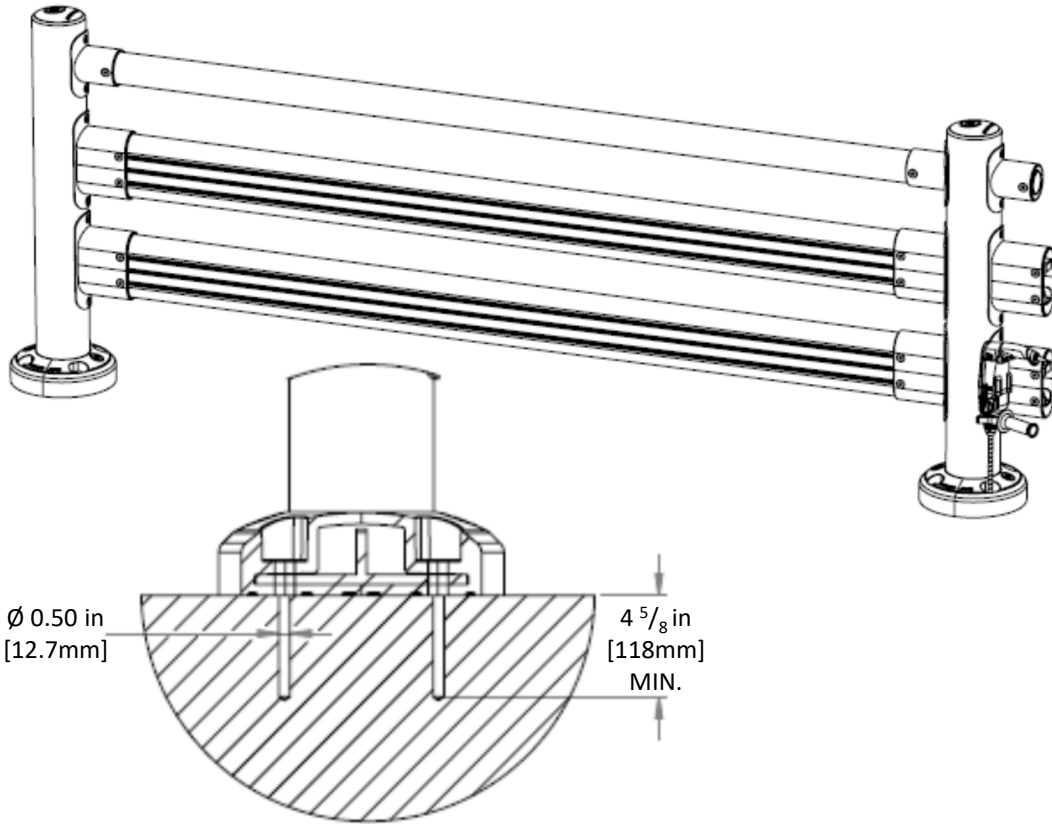


8

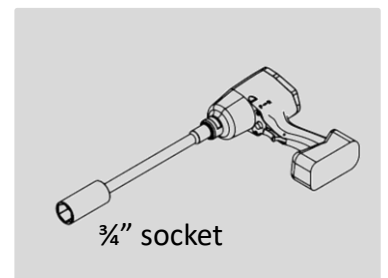
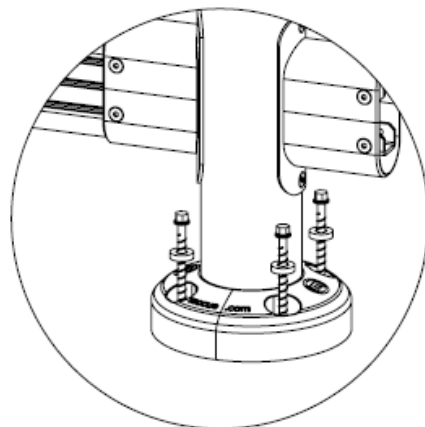
Fasten M12 screws through post cups to secure rails.



9 Ensure post is in position and in line and then drill anchor holes through shock-absorber and baseplate. Minimum 4-5/8" hole depth.

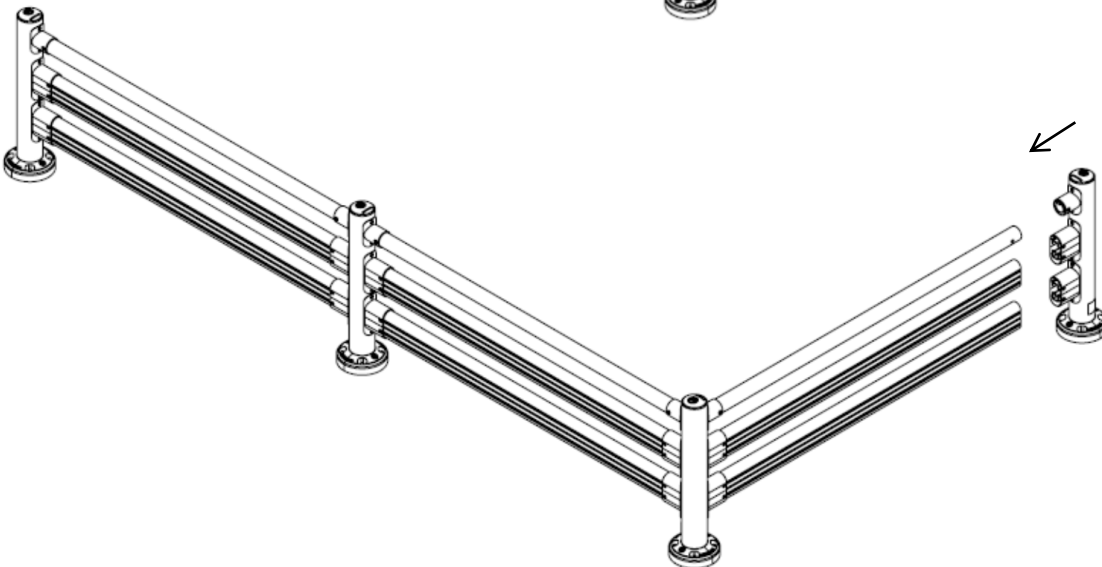
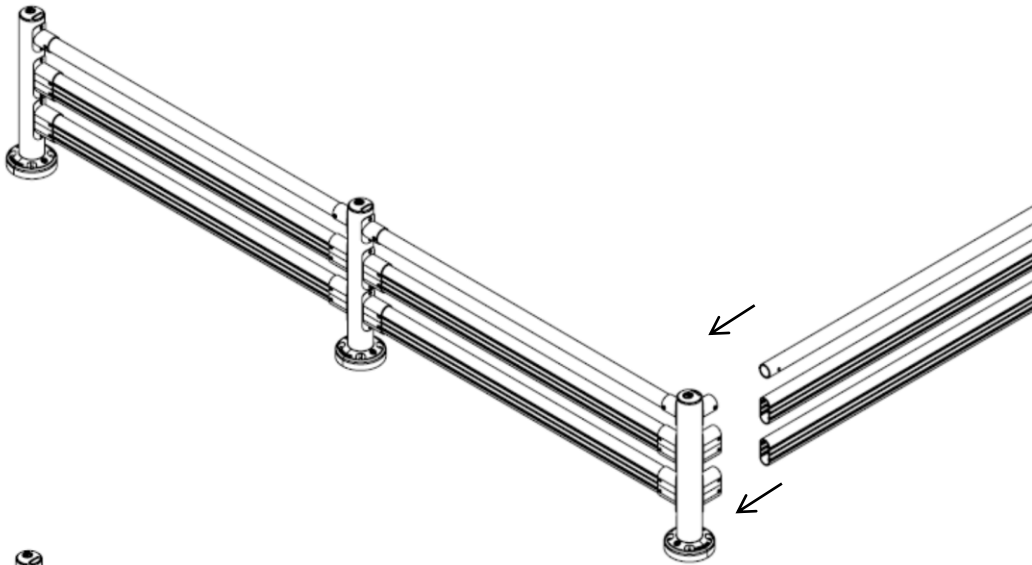
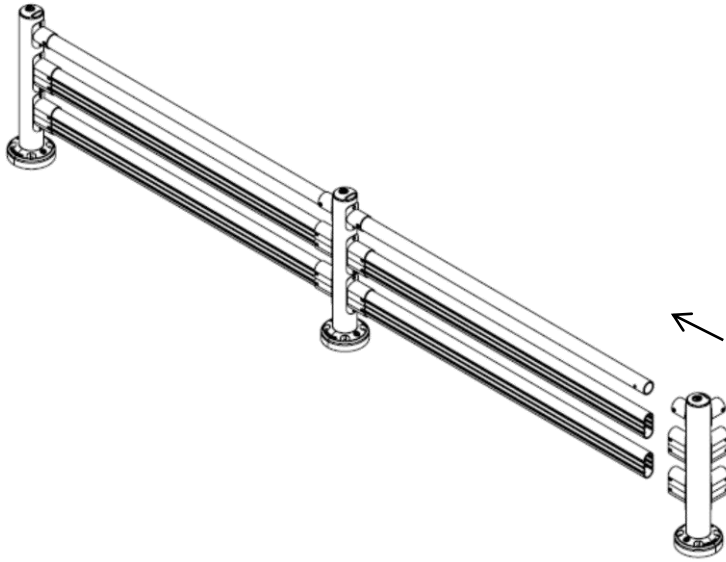


10 Fasten post to floor with $\frac{1}{2}''$ concrete anchors through washers.



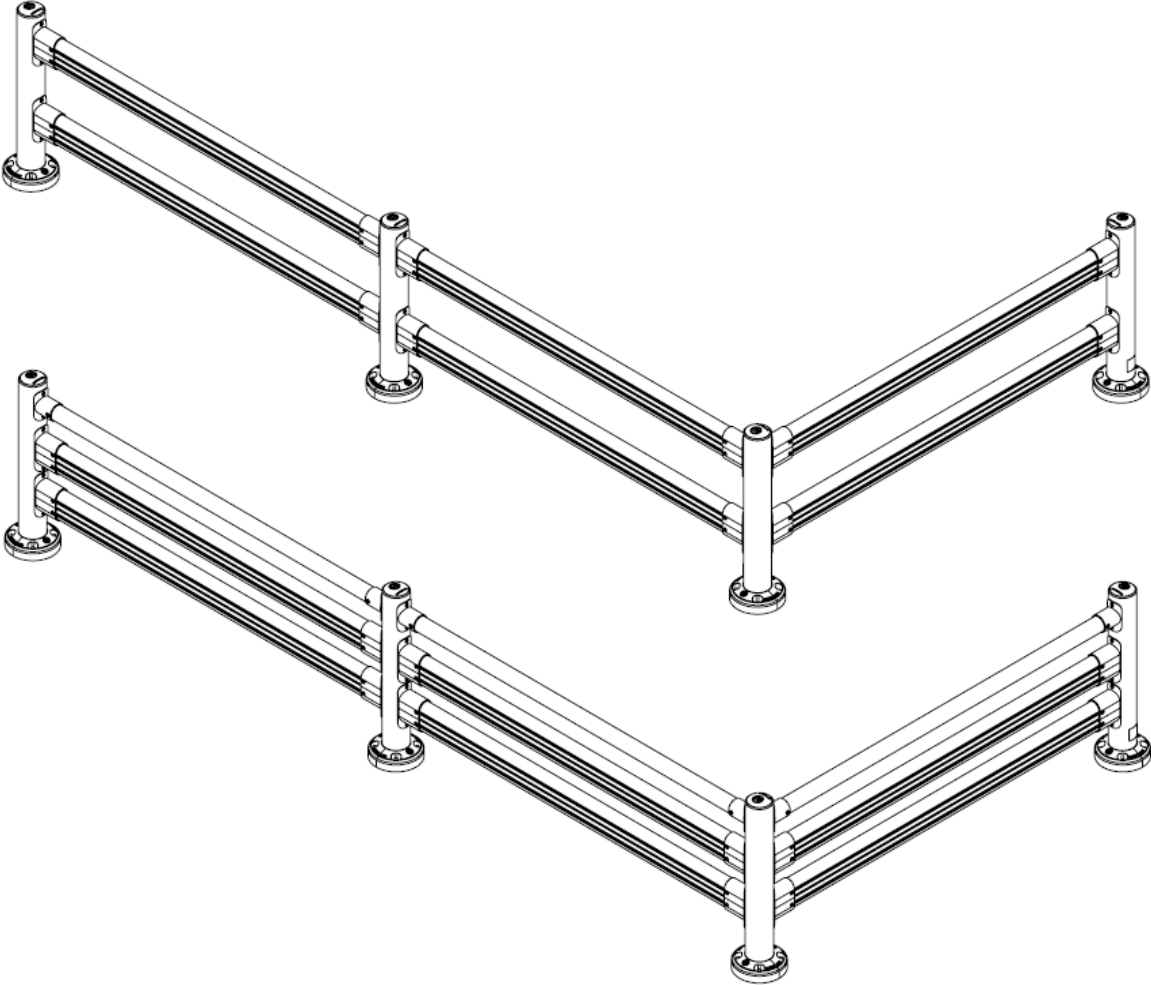
11

Continue with steps 7-10 until final post is fully installed





GuardRail Installation Complete.



Refer to GroundBarrier Installation instructions if necessary.

