

Job: _____

Item: _____

Quantity: _____

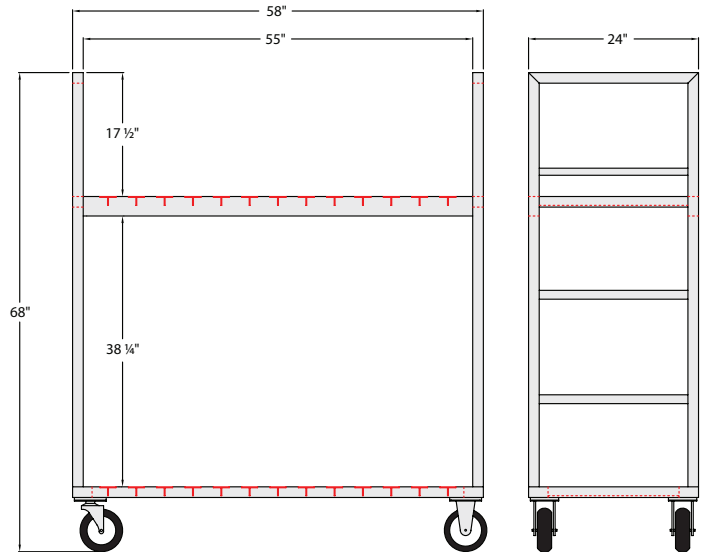
Uni-T Truck

These trucks are designed for heavy loads up to 2000lbs. Ideal for use in coolers, freezers, and dry storage.

- Framework is constructed mostly of 1 ½" x 1 ½" x .070" wall tubing.
- Base is constructed of 1 ½" x 2 ¾" x .070" wall tubing.
- Shelves are constructed of 1 ¼" x 2 ¼" x .100" wall T-Bar.
- Model #1430 comes with four 6" x 2" platform type casters, two swivel and two rigid.
- Model #1431 comes with four 8" x 2" platform type casters, two swivel and two rigid.
- Five-Year Guarantee against material defects and workmanship.
- Lifetime Guarantee against rust and corrosion.
- NSF Certified.



1430



1430

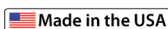
Model No	Size D-H-L	Wheel Size	Shelf Spacing	Ship Lbs.
1430	24" x 68" x 58"	6"	38 ¼"	92
1431	24" x 70" x 58"	8"	38 ¼"	114

Model #1430: Four 6" x 2" casters, two swivel (#C490), two rigid (#C500).
Model #1431: Four 8" x 2" casters, two swivel (#C526), two rigid (#C527).

Options:

"B", #1430=CL(C), #1431=CL(E) "PB", & "VB" -- see catalog.

This information is for general sales and engineering use only. New Age Industrial reserves the right to modify or make changes at any time without notice to materials and specifications.



Distributed by: