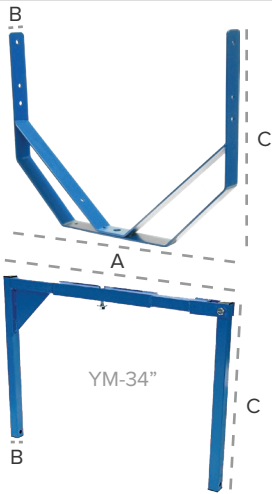


# HIGH VELOCITY FANS

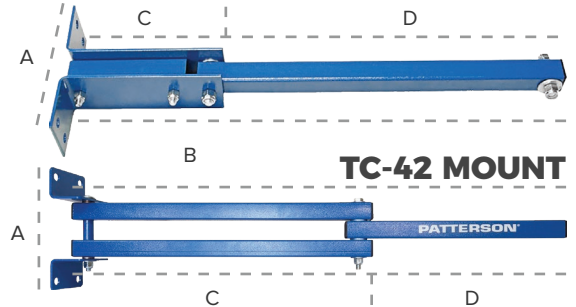
## MOUNTING OPTIONS

### YOKE MOUNT STANDARD



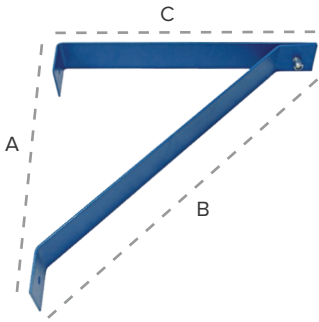
FAN SIZE	MOUNT DIMENSIONS			SHIPPING WEIGHT
	A	B	C	
10"	14"	2"	9.5"	2 lbs
14"	16"	2"	14"	4 lbs
18"	19.5"	2"	14.5"	8 lbs
22"	24"	2"	18"	10 lbs
26"	28"	4"	19.5"	21 lbs
30"	30.5"	4"	20.75"	24 lbs
34"	36"	2"	29"	25 lbs

### TRUCK COOLER DOCK DOOR MOUNTS



FAN SIZE	MOUNT DIMENSIONS				SHIPPING WEIGHT
	A	B	C	D	
10.5"	36"	11"	25"	16 lbs	
10.4"	42.8"	27"	15.8"	20 lbs	

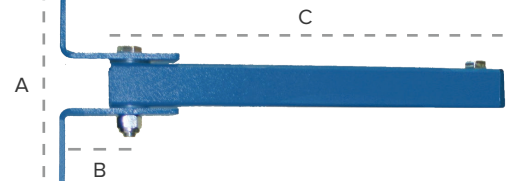
### COLUMN-WALL



FAN SIZE	MOUNT DIMENSIONS			SHIPPING WEIGHT
	A	B	C	
10"	14"	19"	14"	4 lbs
14-22"	22"	30.5"	22"	13 lbs
26-30"	27"	38"	29"	20 lbs
34"	36"	43"	30"	24 lbs

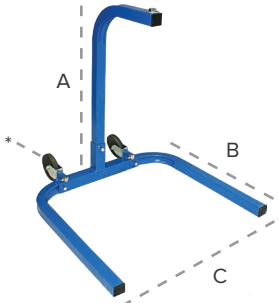
OSCILLATORS AVAILABLE

### RACK MOUNT PICK MODULE FANS



FAN SIZE	MOUNT DIMENSIONS			SHIPPING WEIGHT
	A	B	C	
10"	10.5"	3"	12"	4 lbs
14"	10.5"	3"	14.5"	5 lbs
18"	10.5"	3"	17"	7 lbs
22"	10.5"	3"	19"	8 lbs
26-30"	10.5"	3"	21"	10 lbs

### PORTABLE STROLLER

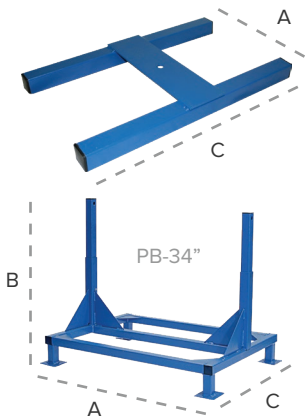


FAN SIZE	MOUNT DIMENSIONS			SHIPPING WEIGHT
	A	B	C	
14-30"	32"	35"	32"	36 lbs

\* 5" Caster Wheels

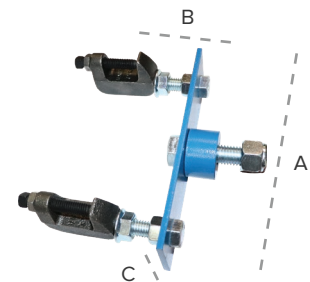
OSCILLATORS AVAILABLE

### PEDESTAL BASE



FAN SIZE	MOUNT DIMENSIONS			SHIPPING WEIGHT
	A	B	C	
10-14"	12"	-	14.5"	6 lbs
18-22"	15"	-	23"	12 lbs
26"	16"	-	26"	15 lbs
30"	20"	-	26"	15 lbs
34"	41.5"	32.5"	28.5"	106 lbs

### BEAM CLAMP



FAN SIZE	MOUNT DIMENSIONS			SHIPPING WEIGHT
	A	B	C	
10-30"	7"	3"	2"	3 lbs