

POWER TUBE

POLE MOUNT INSTALLATION

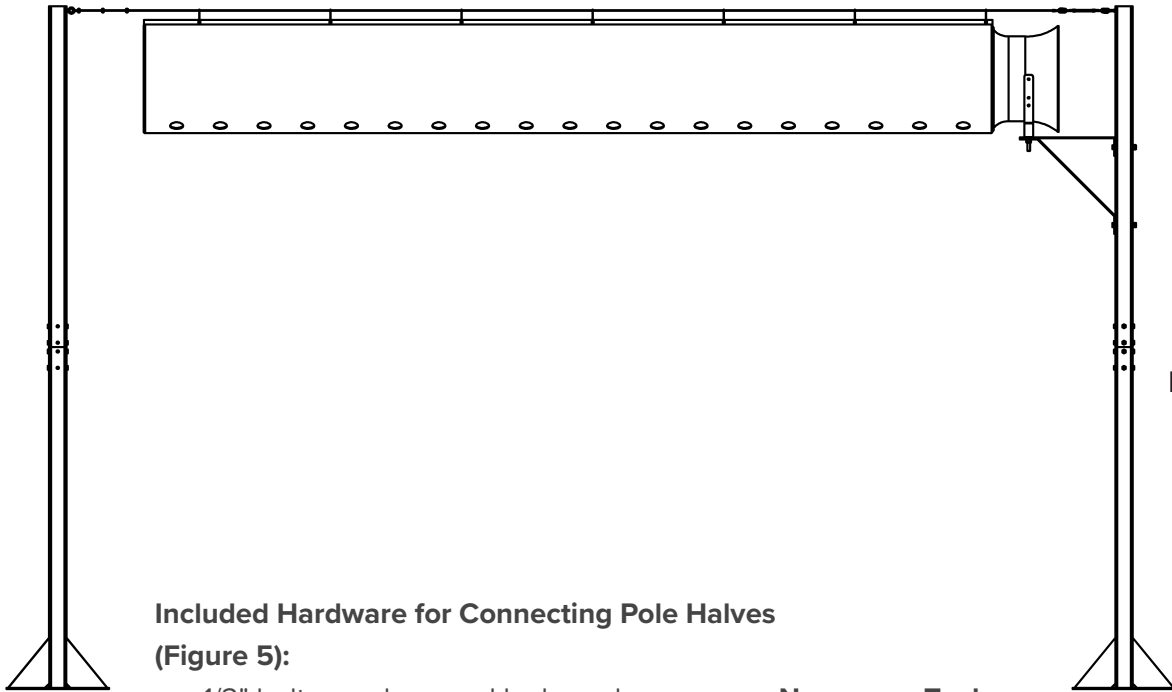


FIGURE 1

**Included Hardware for Connecting Pole Halves
(Figure 5):**

- 1/2" bolts, washers and lock washers

Not Included Hardware:

- Floor anchors
- Hardware for attaching fan mounts
- Hardware for attaching power tubes

Necessary Tools:

- Assorted drill bits
- 15/16" wrench and socket
- 3/4" wrench and socket
- Torque wrench

1. Determine the distance needed between both poles, the distance will need to be greater than the length of the power tube, fan mount and fan combined.
2. Set the bases of the power tube poles and secure in place with floor anchors set at least 3 inches into the floor (floor anchors not included). Note that the gussets need to line up in the same direction that the power tube will be hung.

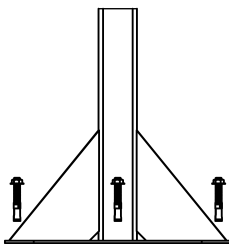


FIGURE 2

BASE

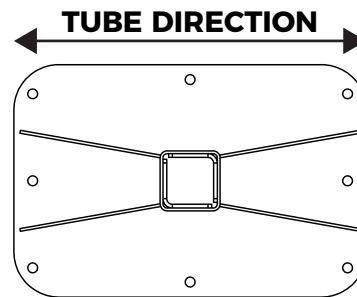


FIGURE 3

3. Determine what height to hang the fan and power tube. Note that when the fan is not running, the tube will deflate and hang 60% of the diameter of the tube lower than when the fan is running.
4. Holes need to be drilled for the fan mount for the fan on the top half of one pole.
5. Another hole needs to be drilled above the height of the mounted fan on the top halves of both poles in order to secure a cable from which to hang the power tube.

POWER TUBE

POLE MOUNT INSTALLATION

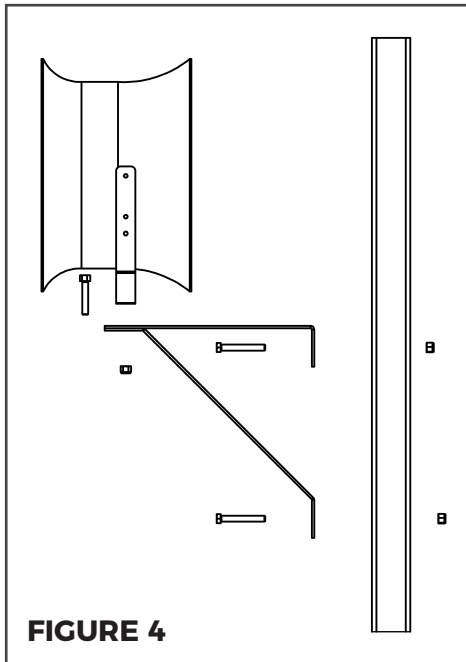


FIGURE 4

6. Secure the fan mount to the pole as shown in Figure 4. If using a column-wall mount, make sure the flat side of the column-wall is on top.
7. Use the 5/8" bolt and nut included with the fan to attach the fan yoke to the fan mount.
8. Mount the fan in the fan yoke and secure with the supplied nuts.
9. Insert the coupling into the lower half of the power tube pole and secure with the included 1/2" washers and bolts as shown in Figure 5. Each pole will need two couplings.

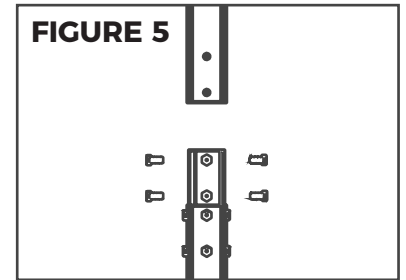


FIGURE 5

10. Place the upper halves of the power tube poles over the couplings on the lower halves and secure with the included 1/2" washers and bolts.
11. Torque all of the 1/2" coupling bolts to 65 ft-lbf.12. Attach the cable to the power tube poles as shown in Figure 6.

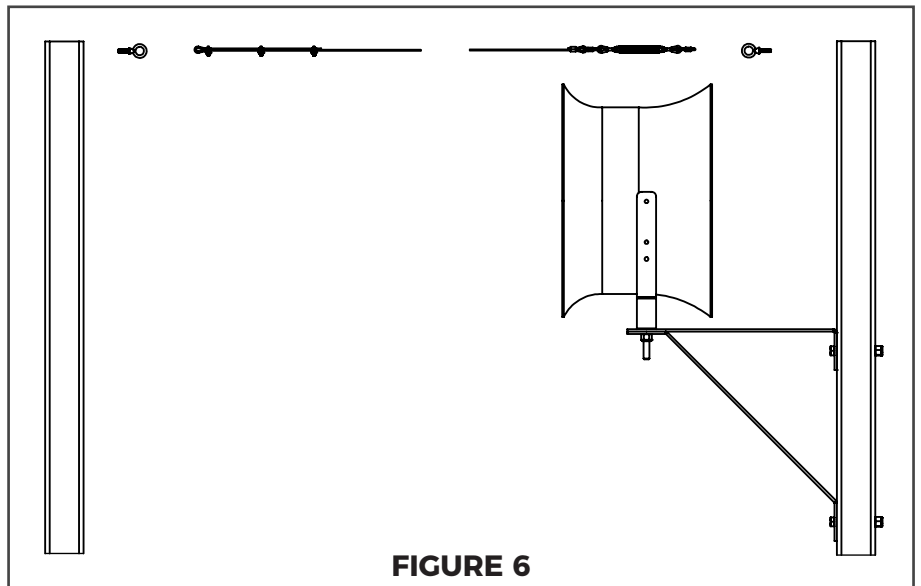


FIGURE 6

13. Tighten the cable using a turnbuckle. **DO NOT** use a come-along or other method of tightening the cable. To remove any excess slack, use cable or chain runs suspended from the ceiling down to the power tube cable.
14. Attach power tube to cable using S-hooks.
15. Attach power tube to fan with drawstring.

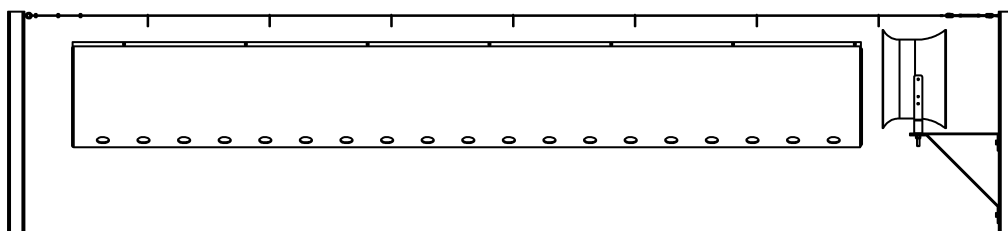


FIGURE 7