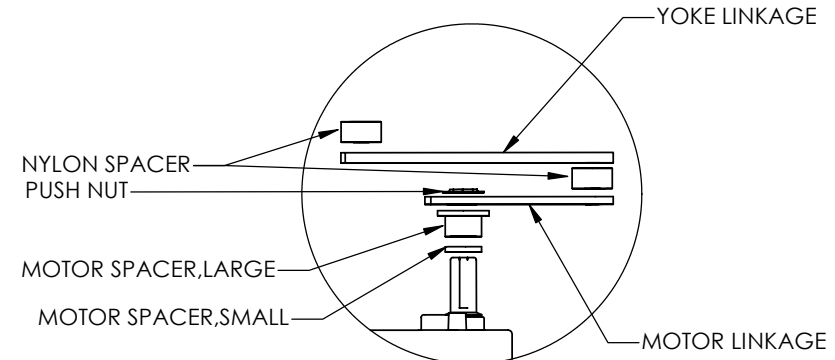
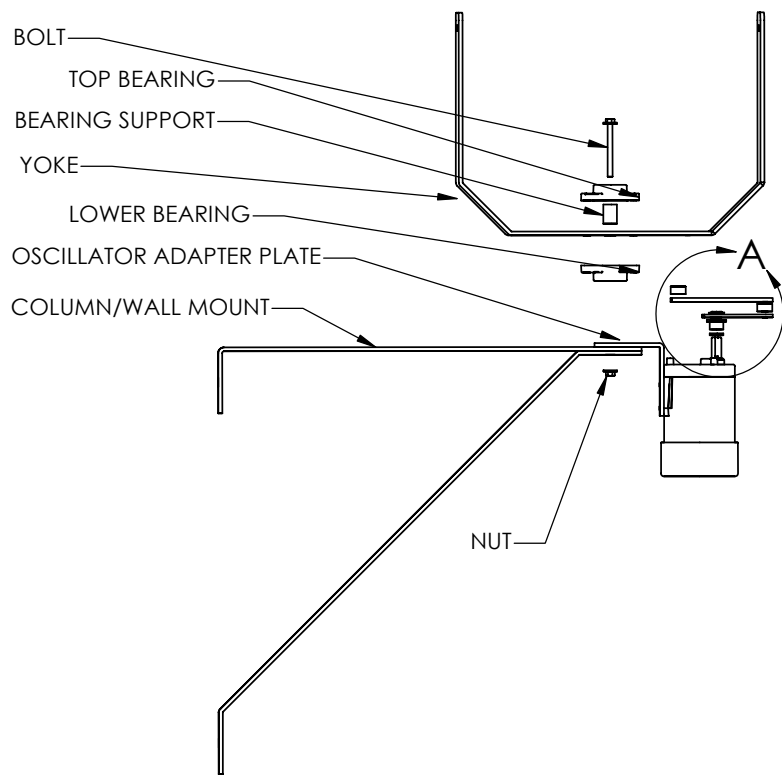


8 7 6 5 4 3 2 1

REVISIONS					
ZONE	REV.	DESCRIPTION	DATE	APPROVED	



DETAIL A
 SCALE 1 : 3

D

C

B

A

D

C

B

A

8 7 6 5 4 3 2 1

PROPRIETARY AND CONFIDENTIAL
 THE INFORMATION CONTAINED IN THIS DRAWING IS THE SOLE PROPERTY OF PATTERSON FAN COMPANY. ANY REPRODUCTION IN PART OR AS A WHOLE WITHOUT THE WRITTEN PERMISSION OF PATTERSON FAN COMPANY IS PROHIBITED.

		UNLESS OTHERWISE SPECIFIED:	NAME	DATE	PATTERSON FAN COMPANY TITLE: OSC-STANDARD ASSEMBLY
		DIMENSIONS ARE IN INCHES	DRAWN TH	04/06/05	
		TOLERANCES:	CHECKED		
		FRACTIONAL ±	ENG APPR.		
		ANGULAR: MACH ± 2 BEND ± 2	MFG APPR.		SIZE DWG. NO. REV
		TWO PLACE DECIMAL ± 0.005	Q.A.		B
		THREE PLACE DECIMAL ± 0.002	COMMENTS:		SCALE: 1:8 WEIGHT: SHEET 1 OF 1
		INTERPRET GEOMETRIC TOLERANCING PER:			
		MATERIAL			
		XXX-XXXXXXX			
NEXT ASSY	USED ON	FINISH			

	APPLICATION				