

E-Z Load™ Universal Storage Shed

Assembly Instructions



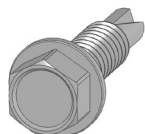
P/N: TRSHASSYINSTR (REV. H)

general@pencoproducts.com

Instructions are applicable to the 33 cubic foot & 98 cubic foot models.

Step 1

Step 1 – Tools and Fasteners Needed



- The hardware kit includes P/N 8822 12-24x7/8" self drilling screws for use in assembling the shed. There are 103 screws for the 33 cubic foot shed and 110 for the 98 cubic foot shed. Also included in the kit is (1) P/N HEXBIT5-16 hex driver for you to use to drive the screws. The hardware kit is found in the box marked F.
- You will need a variable speed 3/8" chuck drill. Insert the hex driver into the drill chuck. A portable, battery powered drill is recommended.
- A flat blade screwdriver may be needed for installation of the roof.
- The contents of the packaging is as follows:

LS-33-SLVN (33 Cu. Ft. Unit)

- (4) TRSHCRL4201 Front/Back Rails
- (4) TRSHCRL3801 Side Rails
- (3) TRSHCWP1446 Back Wall Panel
- (6) TRSHCWP1246 Side Wall Panel
- (2) TRSHCWP0846 Front Wall Panel
- (4) TRSHAPS6003 Corner Posts
- (1) TRSHADF2442 Door & Frame Assembly
- (1) TRSHATP4542 Top Assembly
- (1) TRSHAFL4338 Floor Assembly
- (1) TRSHCRP001 Rear Wall Reinforcement Pan
- (2) TRSHCRP003 Side Wall Reinforcement Pan
- (1) TRSHAAY33HWKIT Hardware Kit

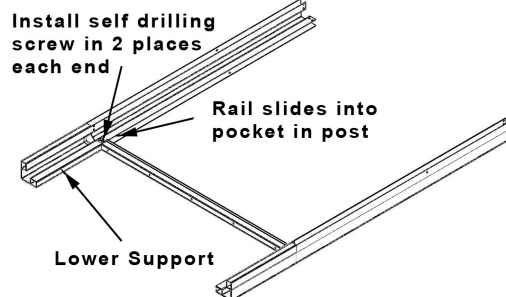
LS-98-SLVN (98 Cu. Ft. Unit)

- (4) TRSHCRL7501 Front/Back Rails
- (4) TRSHCRL3801 Side Rails
- (5) TRSHCWP1560 Rear Wall Panel
- (6) TRSHCRP1260 Side Wall Panel
- (2) TRSHCRP2560 Front Wall Panel
- (4) TRSHAPS7403 Corner Posts
- (1) TRSHAFL7638 Floor Assembly
- (1) TRSHATP7942 Top Assembly
- (1) TRSHADF2456 Door and Frame Assembly
- (2) TRSHCRP002 Rear Wall Reinforcement Pan
- (2) TRSHCRP003 Side Wall Reinforcement Pan
- (1) TRSHAAY98HWKIT Hardware Kit

Step 2

Step 2 – Unpack the corner post assemblies and rails and assemble the back frame.

- The (4) corner post assemblies are packaged in the box marked A. Select any two posts and lay them on a flat surface oriented as shown in the drawing below.
- The rails are packaged in the box marked B. There are two lengths. Select one of the longer length rails.
- Fit the rail into the pocket of the post as shown in the drawing below. The rail should rest on the lower support and be pushed tight against the back wall of the pocket. Make sure the rail is perpendicular to the post. The long flange on the rail should be to the outside and the drain holes drilled along the length of the rail should be on the down side of the assembly.
- Install two screws through the post into the rail at each end of the rail. The post is pre-drilled in the location the screws are to be inserted.



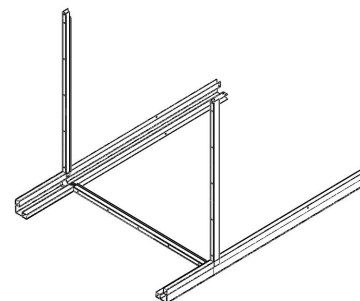
Step 3

Step 3 – Repeat step two to create the front frame assembly

Step 4

Step 4 – Install the side rails.

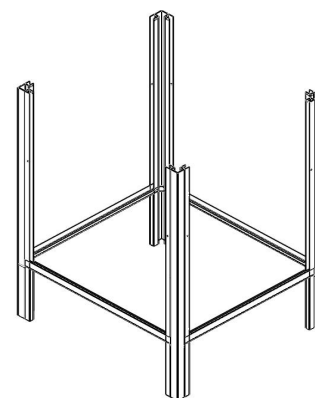
- Select (2) short rails from the box marked B.
- Install the rails in one of the frames that have been assembled in the same manner used in assembling the front and back frames.



Step 5

Step 5 – Complete the assembly of the basic frame.

- Stand the front and rear assemblies into the vertical position.
- Insert the side rails into the mating position in the corner post assembly and install the screws as described in step 2.



Step 6

Step 6 – Install side wall panels

- The box labeled C contains wall panels for the shed. Select three panels measuring approximately 12" in width.

800-562-1000

www.pencoproducts.com

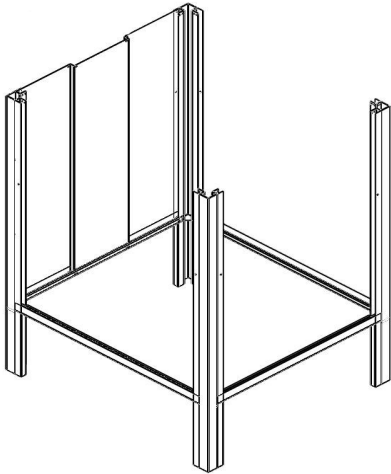
Page 1



Step 6 (continued)

b. Drop the side panels into the lower frame channel on one of the sides in the orientation shown in the drawing below. **IMPORTANT:** The two outer panels have flanges facing to the inside of the shed while the middle panel flanges face outward. The flanges on the middle panel fits inside the flanges of the outer panels so they are interlocked.

c. On the outside of the corner post about halfway up is the locating hole for anchoring the side panels. Push the side panel tightly into the pocket of the vertical post and insert the screw. Repeat this for the other end panel.

**Step 7****Step 7 – Install the back wall panels.**

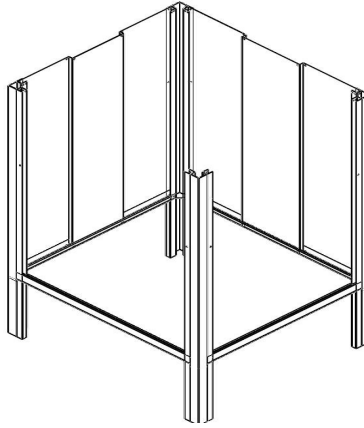
a. From the box labeled C select the three panels measuring approximately 13.5" in width for the 33 cubic foot unit and 15" wide for the 98 cubic foot unit.

b. Drop the side panels into the lower frame channel on one of the sides in the orientation shown in the drawing below. **IMPORTANT:** The two outer panels have flanges facing to the inside of the shed while the middle panel flanges face outward. The flanges on the middle panel fit inside the flanges of the outer panels so they are interlocked.

c. On the outside of the corner post about halfway up is the locating hole

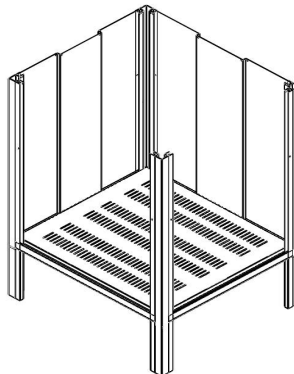
Step 7 (continued)

for anchoring the side panels. Push the side panel tightly into the pocket of the vertical post and insert the screw. Repeat this for the other end panel.

**Step 8****Step 8 – Install the floor.**

a. The floor assembly is in the box labeled D.

b. Remove the floor assembly from the box and set in on the flanges of the lower frame channels. Push it up against the side panels and rear panels you have previously installed.



c. Install a self drilling hole through the flange of the front and back rail the floor rests on into the flange of the stainless steel floor from the underside of the shed. Newer versions of the shed have a pilot hole punched in this flange to help you locate the screw positions. Install the screws in 3 locations. Two towards the outside and one near the center on both the front and back flange. This is important to prevent the rails from flexing and letting the floor panel fall through the bottom.

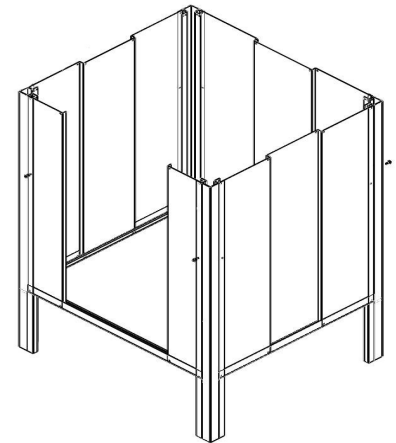
Step 9**Step 9 – Install the other side wall.**

a. Follow the instructions in step 6 to install the wall panels in the open side.

Step 10**Step 10 – Install the front wall panels**

a. The two remaining wall panels from box C are the front wall panels. They measure approximately 8" in width for the 33 cubic foot unit and 25" for the 98 cubic foot unit.

b. Install these panels in the same manner used for installing the side and back panels except there is no middle panel to install.

**Step 11****Step 11- Install top rails**

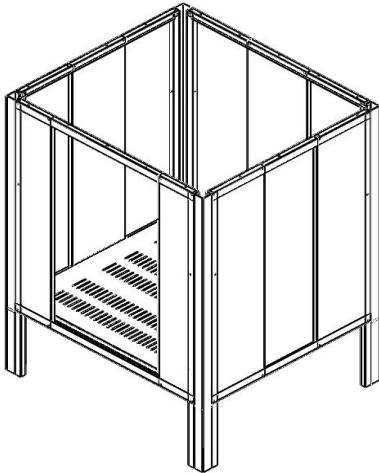
Retrieve the remaining four rails from box B. There should be two long and two short ones.

a. Fit the rails over the top of the wall panels and into the pockets of the corner posts. They mate with the wall panels and the corner posts just like the bottom rails. Once installed the top of the rail should be even with the top of the corner post.

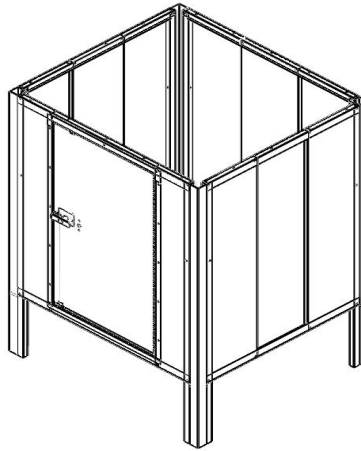
b. Insert self tapping screws through the pre-drilled holes in the post at the 8 locations around the top of the shed. Make sure the end of the rail is tight against

Step 11 (continued)

the inside of the corner post and flush with the top before inserting each screw.

**Step 12****Step 12 – Install the door and frame assembly**

- Remove the door and frame assembly from the box marked F.
- CAUTION:** Make sure the door is latched and remains latched until the door frame is secured to the shed. If unlatched the door can swing open from the frame and become very difficult to handle. This can result in pinched fingers or other physical harm. Be careful!
- With the door handle oriented to the left side lift the door and frame assembly into place in the opening on the front of the shed. Set the lower edge of the door frame on the lower frame channel first and then tip the door into place.
- Insert three screws along through the pre-drilled holes in the top frame and three screws into the pre-drilled hole on the bottom frame.
- Carefully insert the screws using the pre-drilled holes on the vertical frame channels. These screws go into the thin material of the wall panel so take care not to over tighten these screws.

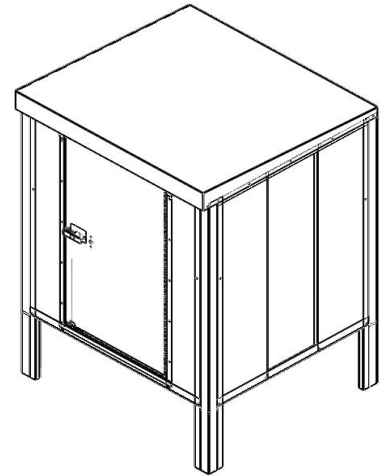
Step 12 (continued)**Step 13****Step 13 – Install the roof and side panel retaining screws.**

***Note: If you are installing the coat rod option or rear shelf option at this time it will be easier to install these before installing the roof. Please skip to the section below for instructions on installing these accessories.

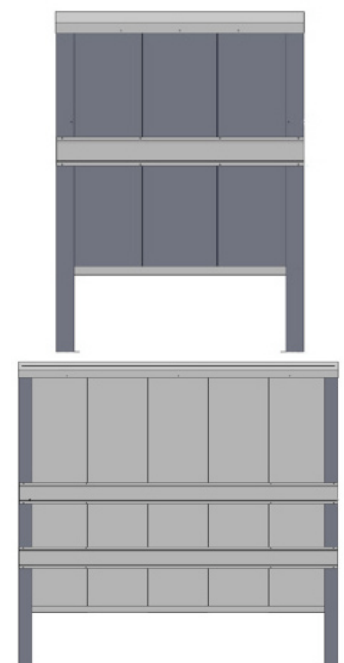
- The roof assembly is found in the carton labeled E.
- Lift the roof over the top of the shed and then drop it into place. The flanges of the roof fit over but flush with the sides and back. It may be necessary to use a flat blade screwdriver as a “shoehorn” to help slide it into the proper position. Pull it forward so there is an overhang in the front and it is tight against the back of the shed.
- The bottom edge of the roof flange on each side should be parallel and coincident to the lower edge of the top rail. Holding it in this position insert a self drilling screw using the pre-drilled holes as a guide in the three positions, front, center, and back. Repeat this on the other side.
- Install a screw in through the top rail into the side panel approximately ¼” in from where the side panel mates with the center panel. Repeat this through the bottom rail and for the other outside panel. Then secure

Step 13 (continued)

the side wall panels to the top and bottom rails on the opposite side in the same way.

**Step 14****Step 14 – Install the side and back wall reinforcement channels.**

Place the reinforcement channel(s) in the location shown below and install 2 self drilling screws at each end at the location of the piloting holes. Repeat this for the side reinforcement panels. There is one reinforcement panel for the back and each side except for the 98” cubic shed (shown) which has 2 reinforcement panels on the back.



INSTALLATION OF ACCESSORY ITEMS

COAT ROD OPTION

Step 1

Step 1- Components and tools required.

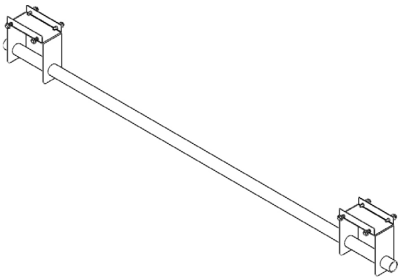
The coat rod kit consists of a coat rod, mounting brackets, and self drilling screws. There are two brackets for the 33 cubic foot unit and three brackets for the 98 cubic foot unit. There are 8 screws for the 33 cubic foot unit and 12 for the 98 cubic foot unit. All components must be used for each respective size to ensure the load capacity of the coat rod is achieved.

You will need the same tools used to assemble the shed to install the coat rod.

Step 2

Step 2- Assemble the brackets on to the rod.

The 33 cubic foot unit uses two brackets that should be located approximately 1 inch from the end of the rod. The final location will be determined when attaching to the shed. The 98 cubic foot unit uses three brackets. The end brackets have the same spacing and the third bracket should be placed in the middle of the rod.



Step 3

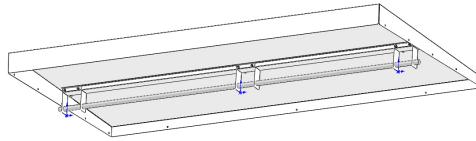
Step 3- Fasten the coat rod assembly to the shed.

***Note: It will be easier to assemble the coat rod to the roof assembly before it is installed but you can install it after the shed is completely assembled.

Step 3 (continued)

Line up the brackets with the strengthening rib on the inside of the roof assembly. The rod will be approximately the same length as the strengthening rib and the brackets should be moved in approximately 1" from each end.

Install the self drilling screws through the holes in the side of the coat rod bracket both front and back. Use caution and low torque settings on your drill to prevent stripping of the screws.



SHELF OPTION

Step 1

Step 1 – Components and Tools Required

The shelf option consists of (1) reinforced steel shelf, (2) mounting brackets, and (8) self drilling screws. The same tools used to assemble the shed are needed to install the shelf unit. Two people are required to safely install the shelf unit

Step 2

Step 2 – Determine the shelf height

**Note: It will be easier to install the shelf before the roof assembly is installed.

Determine the height you want the shelf mounted at and mark the location. The shelf extends approximately 1/2" above the flange on the mounting bracket. Factory installed shelves will be located 18" below the top rail of the shed.

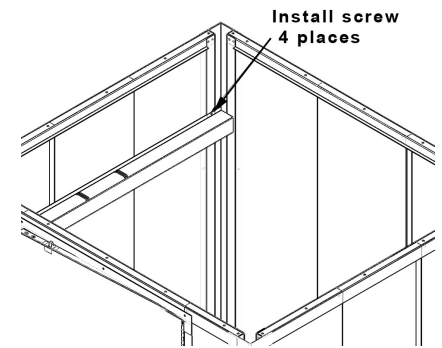
Step 3

Step 3 – Install the bracket to one side

Orient the brackets so that the large holes are on the bottom and the small holes are on the top of the bracket. Using the self drilling screws attach

Step 3 (continued)

the bracket to the corner post through the pre-drilled holes in the flange of the bracket as shown below.



Step 4

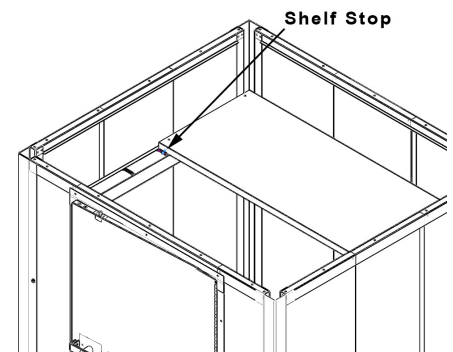
Step 4 – Install the shelf and second bracket

Set one end of the shelf on the bracket you have installed. Have a helper hold the shelf up on the other end while you install the second bracket using the self drilling screws. Once the bracket is installed you can set the shelf down flat on the brackets.

Step 5

Step 5 – Secure the shelf

Push the shelf to the back as far as it will go. It will fit over and inside the stop formed in the top of the bracket. This prevents the shelf from moving back and forth.



E-ZLOAD_ShedAssyInstruc-REV-H.indd/pdf
Rev 3/2011