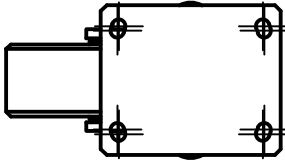
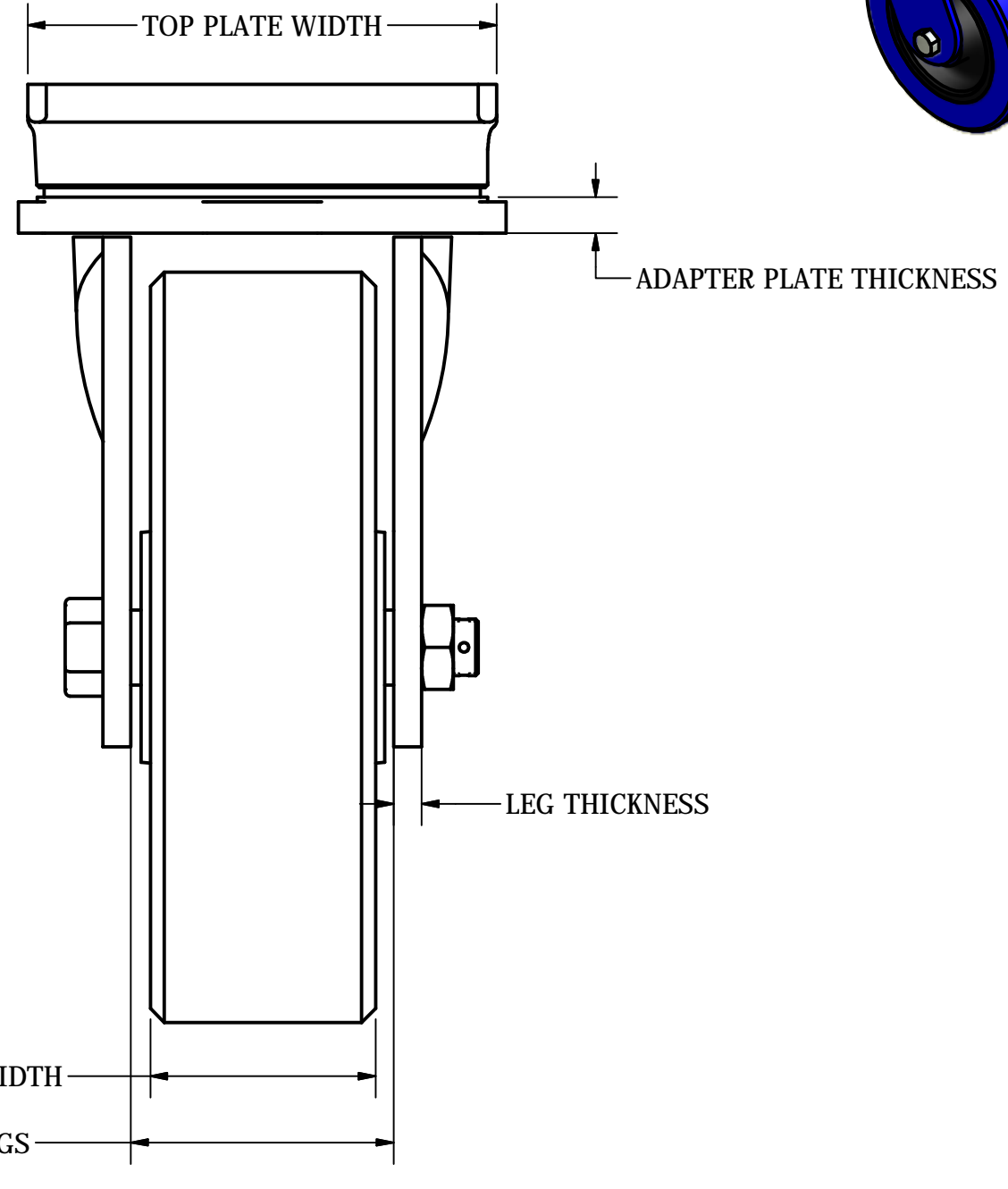
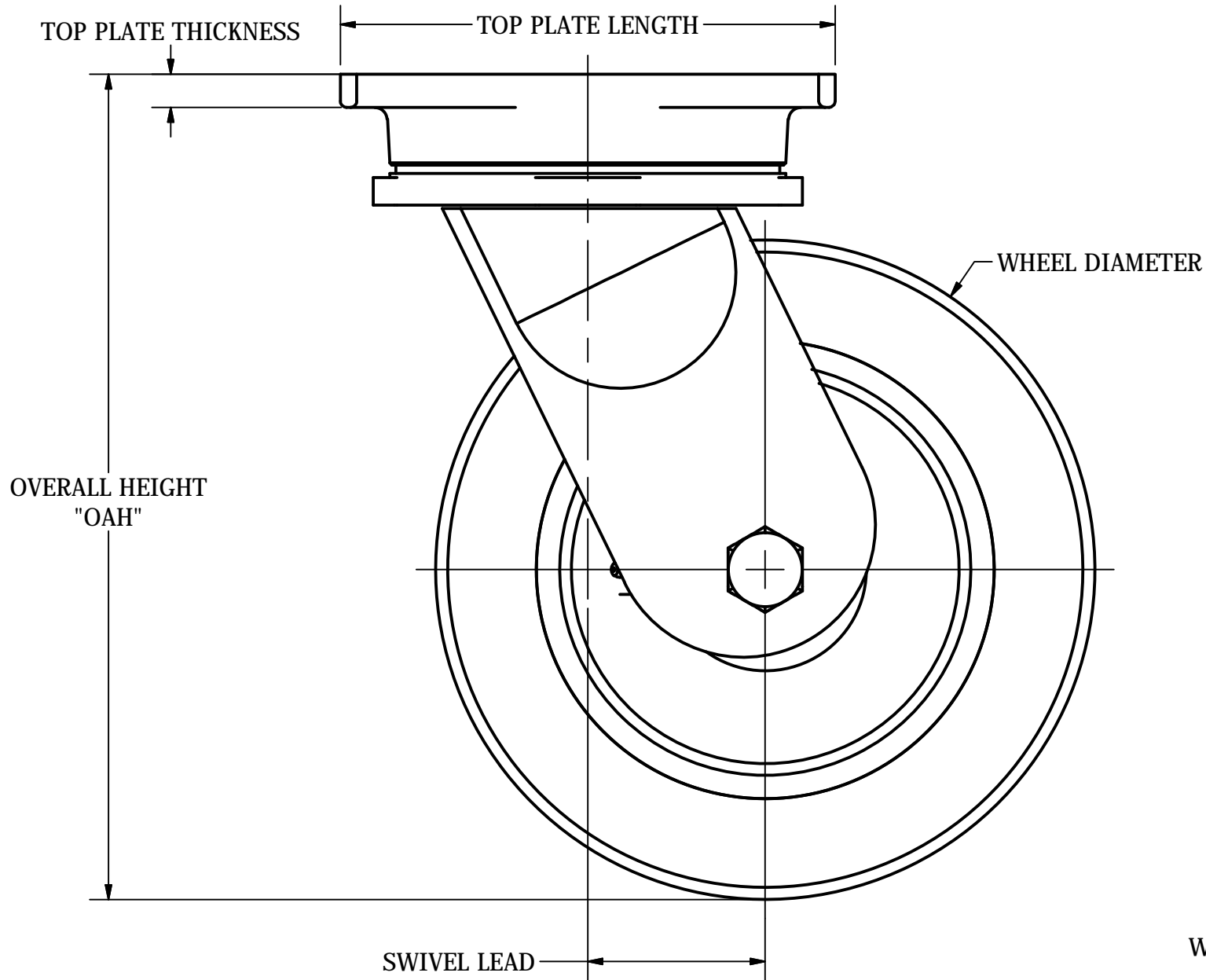


REVISION HISTORY					
REV	BY	CHK	C.R. No.	DATE	DESCRIPTION
A	MDT	JKA		2/14/11	INITIAL RELEASE

TYPICAL LAYOUT AND DIMENSIONS FOUND ON A CASTER DRAWING

3-D VIEW



TOP VIEW WITH BOLT HOLE SPACING "BHS"

THIS DRAWING CONTAINS INFORMATION DEEMED PROPRIETARY TO RWM CASTERS CO., AND IS TO BE USED ONLY FOR THE PURPOSE FOR WHICH IT IS SUBMITTED, AND FURTHER SHALL NOT BE COPIED IN WHOLE OR IN PART WITHOUT WRITTEN PERMISSION FIRST OBTAINED FROM RWM CASTERS COMPANY. © R.W.M. 2008			
DRAWN BY:	MTWITTY	2/14/2011	<b>RWM CASTERS</b> 1225 Isley Road, P.O. Box 668, Gastonia, NC 28053 Phone: 1-800-634-7704, Fax: 1-800-253-6634
CHECKED BY:	JKA	2/14/2011	
MATL.:			
WEIGHT:			GENERIC CASTER PRINT
MADE IN U.S.A.		SIZE B	DWG NO. <b>GUIDE</b>
			REV <b>A</b>

- NOTES:  
 1. BREAK SHARP EDGES AND REMOVE ALL BURRS.  
 2. ALL DIMENSIONS IN ( ) ARE REFERENCE.  
 3. ALL DIMENSIONS ARE IN INCHES.  
 4. FINISH = 125 RMS (MIN) UNLESS OTHERWISE NOTED.

