



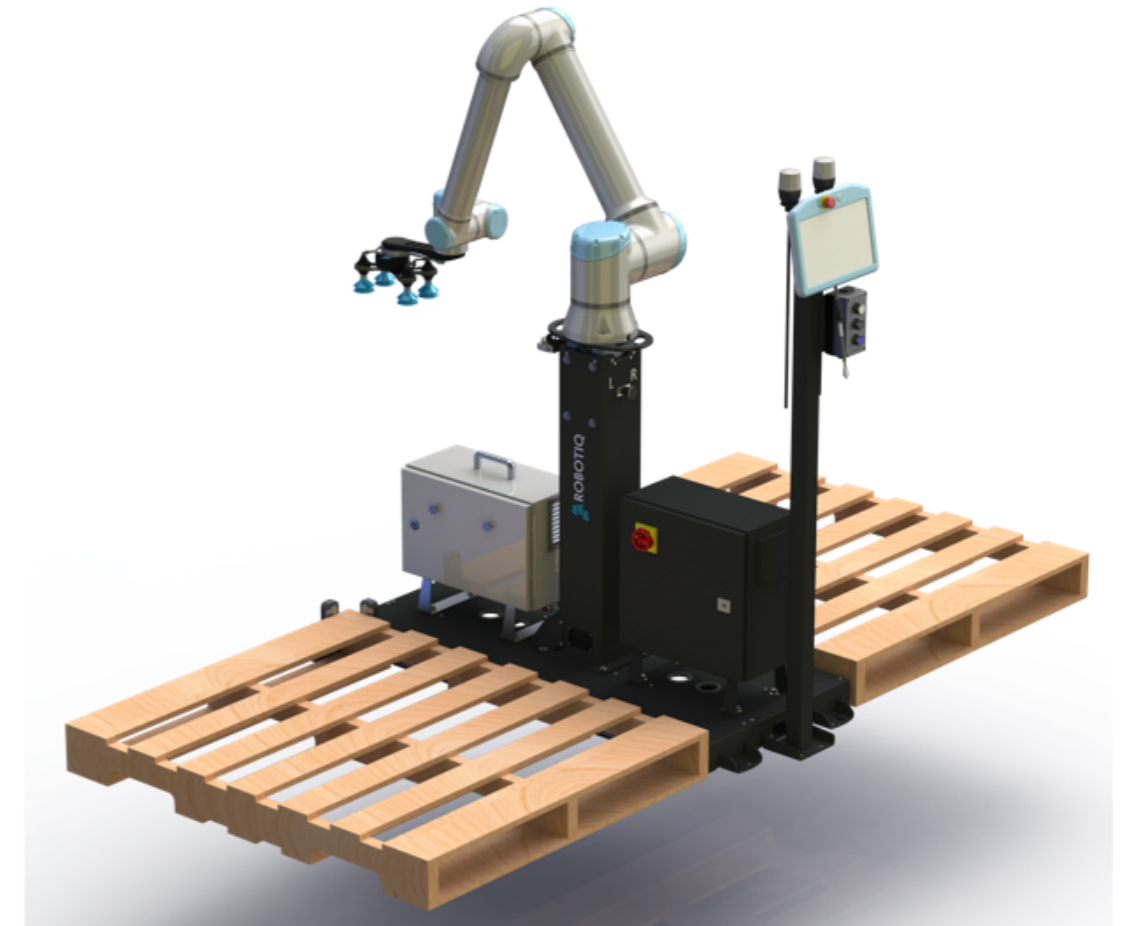
Robotiq

966 Chemin Olivier #500
 G7A 2N1 Saint-Nicolas, Québec
 Canada
 Phone +1 (418) 380-2788



2022.0.3

Project description	Palletizing		
Job number	PAL-AE05		
Project name	PE Solution		
Modification date	2022-02-28		
Revision	Rev D		
Power supply	100-240 VAC / 50-60 Hz		
Input lead	15A		
Control voltage	24 VDC		
Created on	2021-10-13		
Edit date	2022-02-28	by (short name) Michael Goidin	Number of pages 43



Rev D	2022-01-17	Michael Goidin	Date	2022-02-28
Rev C	2021-11-30	Michael Goidin	Created by	Michael Goidin
Rev B	2021-10-27	Michael Goidin	Approved by	
Modification	Date	Name	Revision	Rev D

Palletizing



Title page / cover sheet

PAL-AE05

Folio 1

Page 1 / 43

Table of contents

Higher-level function	Mounting location:	Page	Page description	Date	Edited by
		1	Title page / cover sheet	2022-02-28	Michael Goidin
		2	Table of contents	2022-02-28	Michael Goidin
		2.a	Table of contents	2022-02-28	Michael Goidin
		3	Revision overview : /1 - =SYS+CAB1/16	2022-02-28	Michael Goidin
		3.a	Revision overview : /1 - /6	2022-02-28	Michael Goidin
		3.b	Revision overview : =+ - =3D_Views+CAB1/51	2022-02-28	Michael Goidin
		3.c	Revision overview : =Reports+CAB1/102 - =Reports+CAB1/150	2022-02-28	Michael Goidin
		3.d	Revision overview : =Reports+CAB1/151 - =+	2022-02-28	Michael Goidin
		4	Safety	2021-12-15	Michael Goidin
		5	Technical Notes	2022-02-28	Michael Goidin
		6	System Overview	2022-02-28	Michael Goidin
SYS	CAB1		Cabinet 1		
		10	AC Voltage Supply	2022-02-24	Michael Goidin
		12	DC Voltage Supply	2022-01-24	Michael Goidin
		13	PLC - Inputs	2022-02-28	Michael Goidin
		14	PLC - Outputs	2022-02-28	Michael Goidin
		15	Pallet Sensing	2022-02-28	Michael Goidin
		16	Tower lights	2022-02-28	Michael Goidin
		18	System Options	2022-02-28	Michael Goidin
3D_Views	CAB1		Cabinet 1		
		50	General Views	2022-02-28	Michael Goidin
		51	External Views	2022-02-28	Michael Goidin
		52	Mounting Plate	2022-02-28	Michael Goidin
		53	Cutouts		
3D_Views	Box				
		54	Pushbuttons Box	2022-02-28	Michael Goidin
Reports	CAB1		Cabinet 1		
		100	Parts list : PXC.3022276 - SIE.3SU1550-0AA10-0AA0	2022-02-28	Michael Goidin

1

2.a

Rev D	2022-01-17	Michael Goidin	Date	2022-02-28
Rev C	2021-11-30	Michael Goidin	Created by	Michael Goidin
Rev B	2021-10-27	Michael Goidin	Approved by	
Modification	Date	Name	Revision	Rev D

Palletizing



Table of contents

Table of contents

Higher-level function	Mounting location:	Page	Page description	Date	Edited by
Reports	CAB1		Cabinet 1		
		101	Parts list : SIE.3SU1400-1AA10-1BA0 - ICO.48168	2022-02-28	Michael Goidin
		102	Parts list : MCM.95105A183 - PXC.1529179	2022-02-28	Michael Goidin
		103	Parts list : PXC.1401348 - PXC.3038503	2022-02-28	Michael Goidin
		104	Parts list : SCH.4798.9200 - PXC.3030514	2022-02-28	Michael Goidin
		150	Summarized parts list	2022-02-28	Michael Goidin
		151	Summarized parts list	2022-02-28	Michael Goidin
		200	Terminal diagram =SYS+CAB1-X1	2021-12-15	Michael Goidin
		201	Terminal diagram =SYS+CAB1-X25	2022-02-28	Michael Goidin
		202	Terminal diagram =SYS+CAB1-X26	2022-02-28	Michael Goidin
		203	Terminal diagram =SYS+CAB1-X50	2022-02-28	Michael Goidin
		204	Terminal diagram =SYS+CAB1-X51	2022-02-28	Michael Goidin
		205	Terminal diagram =SYS+CAB1-XE	2022-01-17	Michael Goidin
		300	Cable diagram:W1 :W2 :W50 :W51	2022-02-28	Michael Goidin
		301	Cable diagram:W52 :W53 :W60 :W61	2022-02-28	Michael Goidin
		302	Cable diagram:W62 :W63 :W70 :W71	2022-02-28	Michael Goidin
		303	Cable diagram:W72 :W80 :W81 :W82	2022-02-28	Michael Goidin
		304	Cable diagram:W82 :W100 :W101	2022-02-28	Michael Goidin
		305	Cable diagram:W102 :W103 :W200	2022-02-28	Michael Goidin
		400	Connection list : 1 - 51	2022-02-28	Michael Goidin

Rev D	2022-01-17	Michael Goidin	Date	2022-02-28
Rev C	2021-11-30	Michael Goidin	Created by	Michael Goidin
Rev B	2021-10-27	Michael Goidin	Approved by	
Modification	Date	Name	Revision	Rev D

Revision overview

Revision name		Rev D			
Index	Page name	Date	Creator	Revision description	Reason for revision change
04	/1	2022-01-24	Michael Goidin	Cables W70 and W80 (modification)	
04	=SYS+CAB1/18	2022-01-24	Michael Goidin	Cables W70 and W80 (modification)	
04	/2	2022-01-24	Michael Goidin	Cables W70 and W80 (modification)	
04	=Reports+CAB1/101	2022-01-24	Michael Goidin	Cables W70 and W80 (modification)	
04	=Reports+CAB1/150	2022-01-24	Michael Goidin	Cables W70 and W80 (modification)	
04	=Reports+CAB1/104	2022-01-24	Michael Goidin	Cables W70 and W80 (modification)	
04	/2.a	2022-01-24	Michael Goidin	Cables W70 and W80 (modification)	
04	=SYS+CAB1/12	2022-01-24	Michael Goidin	Cables W70 and W80 (modification)	
04	=Reports+CAB1/103	2022-01-24	Michael Goidin	Cables W70 and W80 (modification)	
04	=Reports+CAB1/102	2022-01-24	Michael Goidin	Cables W70 and W80 (modification)	
04	/3	2022-01-24	Michael Goidin	Cables W70 and W80 (modification)	
04	=Reports+CAB1/400	2022-01-24	Michael Goidin	Cables W70 and W80 (modification)	
04	=Reports+CAB1/151	2022-01-24	Michael Goidin	Cables W70 and W80 (modification)	
04	/3.a	2022-01-24	Michael Goidin	Cables W70 and W80 (modification)	
04	=SYS+CAB1/14	2022-01-24	Michael Goidin	Cables W70 and W80 (modification)	
04	/3.b	2022-01-24	Michael Goidin	Cables W70 and W80 (modification)	
04	=Reports+CAB1/100	2022-01-24	Michael Goidin	Cables W70 and W80 (modification)	
04	/3.c	2022-01-24	Michael Goidin	Cables W70 and W80 (modification)	
04	/6	2022-01-24	Michael Goidin	Cables W70 and W80 (modification)	
04	=SYS+CAB1/15	2022-01-24	Michael Goidin	Cables W70 and W80 (modification)	
04	=SYS+CAB1/16	2022-01-24	Michael Goidin	Cables W70 and W80 (modification)	
	=SYS+CAB1/18	2022-01-20	Michael Goidin	New page created	
	=SYS+CAB1/16	2022-01-17	Michael Goidin	New page created	

Rev D	2022-01-17	Michael Goidin	Date	2022-02-28
Rev C	2021-11-30	Michael Goidin	Created by	Michael Goidin
Rev B	2021-10-27	Michael Goidin	Approved by	
Modification	Date	Name	Revision	Rev D

Palletizing



Revision overview : /1 - =SYS+CAB1/16

Revision overview

Index	Page name	Date	Creator	Revision description	Reason for revision change
03	/1	2022-01-10	Michael Goidin	Add black cabinet and Icotek position	
03	=Reports+CAB1/104	2022-01-10	Michael Goidin	Add black cabinet and Icotek position	
03	/2	2022-01-10	Michael Goidin	Add black cabinet and Icotek position	
03	=Reports+CAB1/150	2022-01-10	Michael Goidin	Add black cabinet and Icotek position	
03	=3D_Views+CAB1/50	2022-01-10	Michael Goidin	Add black cabinet and Icotek position	
03	/2.a	2022-01-10	Michael Goidin	Add black cabinet and Icotek position	
03	=Reports+CAB1/151	2022-01-10	Michael Goidin	Add black cabinet and Icotek position	
03	=Reports+CAB1/205	2022-01-10	Michael Goidin	Add black cabinet and Icotek position	
03	/3	2022-01-10	Michael Goidin	Add black cabinet and Icotek position	
03	=Reports+CAB1/400	2022-01-10	Michael Goidin	Add black cabinet and Icotek position	
03	/3.a	2022-01-10	Michael Goidin	Add black cabinet and Icotek position	
03	/3.b	2022-01-10	Michael Goidin	Add black cabinet and Icotek position	
03	/6	2022-01-10	Michael Goidin	Add black cabinet and Icotek position	
03	=3D_Views+CAB1/51	2022-01-10	Michael Goidin	Add black cabinet and Icotek position	
03	=SYS+CAB1/10	2022-01-10	Michael Goidin	Add black cabinet and Icotek position	
03	=3D_Views+CAB1/52	2022-01-10	Michael Goidin	Add black cabinet and Icotek position	
03	=3D_Views+Box/54	2022-01-10	Michael Goidin	Add black cabinet and Icotek position	
03	=Reports+CAB1/100	2022-01-10	Michael Goidin	Add black cabinet and Icotek position	
03	=Reports+CAB1/101	2022-01-10	Michael Goidin	Add black cabinet and Icotek position	
03	=Reports+CAB1/102	2022-01-10	Michael Goidin	Add black cabinet and Icotek position	
03	=Reports+CAB1/103	2022-01-10	Michael Goidin	Add black cabinet and Icotek position	
03	=SYS+CAB1/13	2022-01-10	Michael Goidin	Add black cabinet and Icotek position	
	=3D_Views+CAB1/53	2022-01-10	Michael Goidin	New page created	
02	/6	2021-12-15	Michael Goidin	Teach pendant position Add pushbuttons box	
02	/6	2021-12-15	Michael Goidin	Teach pendant position Add pushbuttons box	

Rev D	2022-01-17	Michael Goidin	Date	2022-02-28		Revision overview : /1 - /6	PAL-AE05	Folio	3.a
Rev C	2021-11-30	Michael Goidin	Created by	Michael Goidin				Page	5 / 43
Rev B	2021-10-27	Michael Goidin	Approved by						
Modification	Date	Name	Revision	Rev D					

Revision overview

Revision name Rev B					
Index	Page name	Date	Creator	Revision description	Reason for revision change
02	=+ (CAB1)	2021-11-30	Michael Goidin	Teach pendant position Add pushbuttons box	
02	=3D_Views+CAB1/51	2021-11-30	Michael Goidin	Teach pendant position Add pushbuttons box	
02	=+ (CAB1)	2021-11-30	Michael Goidin	Teach pendant position Add pushbuttons box	
02	=Reports+CAB1/100	2021-11-30	Michael Goidin	Teach pendant position Add pushbuttons box	
02	=Reports+CAB1/200	2021-11-30	Michael Goidin	Teach pendant position Add pushbuttons box	
02	=Reports+CAB1/150	2021-11-30	Michael Goidin	Teach pendant position Add pushbuttons box	
02	=3D_Views+CAB1/52	2021-11-30	Michael Goidin	Teach pendant position Add pushbuttons box	
02	=SYS+CAB1/10	2021-11-30	Michael Goidin	Teach pendant position Add pushbuttons box	
02	=3D_Views+CAB1/51	2021-11-30	Michael Goidin	Teach pendant position Add pushbuttons box	
02	=3D_Views+CAB1/50	2021-11-30	Michael Goidin	Teach pendant position Add pushbuttons box	
02	=Reports+CAB1/103	2021-11-30	Michael Goidin	Teach pendant position Add pushbuttons box	
02	=Reports+CAB1/151	2021-11-30	Michael Goidin	Teach pendant position Add pushbuttons box	
02	=Reports+CAB1/102	2021-11-30	Michael Goidin	Teach pendant position Add pushbuttons box	
02	=Reports+CAB1/400	2021-11-18	Michael Goidin	Teach pendant position Add pushbuttons box	
02	=3D_Views+CAB1/52	2021-11-18	Michael Goidin	Teach pendant position Add pushbuttons box	
02	=SYS+CAB1/13	2021-11-18	Michael Goidin	Teach pendant position Add pushbuttons box	
02	=SYS+CAB1/12	2021-11-18	Michael Goidin	Teach pendant position Add pushbuttons box	
02	=SYS+CAB1/14	2021-11-18	Michael Goidin	Teach pendant position Add pushbuttons box	
02	=3D_Views+CAB1/50	2021-11-18	Michael Goidin	Teach pendant position Add pushbuttons box	
02	=3D_Views+CAB1/51	2021-11-18	Michael Goidin	Teach pendant position Add pushbuttons box	
02	=SYS+CAB1/12	2021-11-15	Michael Goidin	Teach pendant position Add pushbuttons box	
02	=3D_Views+CAB1/50	2021-11-15	Michael Goidin	Teach pendant position Add pushbuttons box	
02	=Reports+CAB1/100	2021-11-15	Michael Goidin	Teach pendant position Add pushbuttons box	
02	=3D_Views+CAB1/52	2021-11-15	Michael Goidin	Teach pendant position Add pushbuttons box	
02	=3D_Views+CAB1/51	2021-11-15	Michael Goidin	Teach pendant position Add pushbuttons box	

Rev D	2022-01-17	Michael Goidin	Date	2022-02-28		Revision overview : += - =3D_Views+CAB1/51	PAL-AE05	Folio	3.b
Rev C	2021-11-30	Michael Goidin	Created by	Michael Goidin				Page	6 / 43
Rev B	2021-10-27	Michael Goidin	Approved by						
Modification	Date	Name	Revision	Rev D					

Revision overview

Revision name Rev B					
Index	Page name	Date	Creator	Revision description	Reason for revision change
02	=Reports+CAB1/102	2021-11-15	Michael Goidin	Teach pendant position Add pushbuttons box	
02	=Reports+CAB1/101	2021-11-15	Michael Goidin	Teach pendant position Add pushbuttons box	
02	=Reports+CAB1/104	2021-11-15	Michael Goidin	Teach pendant position Add pushbuttons box	
02	=Reports+CAB1/150	2021-11-15	Michael Goidin	Teach pendant position Add pushbuttons box	
02	=Reports+CAB1/103	2021-11-15	Michael Goidin	Teach pendant position Add pushbuttons box	
02	=Reports+CAB1/151	2021-11-15	Michael Goidin	Teach pendant position Add pushbuttons box	
02	=Reports+CAB1/400	2021-11-15	Michael Goidin	Teach pendant position Add pushbuttons box	
02	=+ (CAB1)	2021-11-15	Michael Goidin	Teach pendant position Add pushbuttons box	
02	/1	2021-11-03	Michael Goidin	Teach pendant position Add pushbuttons box	
02	/3	2021-11-03	Michael Goidin	Teach pendant position Add pushbuttons box	
02	=Reports+CAB1/102	2021-11-03	Michael Goidin	Teach pendant position Add pushbuttons box	
02	=Reports+CAB1/150	2021-11-03	Michael Goidin	Teach pendant position Add pushbuttons box	
02	=Reports+CAB1/103	2021-11-03	Michael Goidin	Teach pendant position Add pushbuttons box	
02	=Reports+CAB1/151	2021-11-03	Michael Goidin	Teach pendant position Add pushbuttons box	
02	/6	2021-11-03	Michael Goidin	Teach pendant position Add pushbuttons box	
02	/2.a	2021-11-03	Michael Goidin	Teach pendant position Add pushbuttons box	
02	=Reports+CAB1/101	2021-11-03	Michael Goidin	Teach pendant position Add pushbuttons box	
02	/2	2021-11-03	Michael Goidin	Teach pendant position Add pushbuttons box	
	/3	2021-11-02	Michael Goidin	New page created	
02	=3D_Views+CAB1/51	2021-10-27	Michael Goidin	Teach pendant position Add pushbuttons box	
02	=3D_Views+CAB1/52	2021-10-27	Michael Goidin	Teach pendant position Add pushbuttons box	
02	=3D_Views+CAB1/50	2021-10-27	Michael Goidin	Teach pendant position Add pushbuttons box	
Revision name Rev A					
Index	Page name	Date	Creator	Revision description	Reason for revision change
01	=Reports+CAB1/150	2021-10-27	Michael Goidin	First Release	

3.b

3.d

Rev D	2022-01-17	Michael Goidin	Date	2022-02-28		Revision overview : =Reports+CAB1/102 - =Reports+CAB1/150	PAL-AE05	Folio	3.c
Rev C	2021-11-30	Michael Goidin	Created by	Michael Goidin				Page	7 / 43
Rev B	2021-10-27	Michael Goidin	Approved by						
Modification	Date	Name	Revision	Rev D					

Revision overview

Revision name Rev A					
Index	Page name	Date	Creator	Revision description	Reason for revision change
01	=Reports+CAB1/151	2021-10-27	Michael Goidin	First Release	
01	=3D_Views+CAB1/52	2021-10-27	Michael Goidin	First Release	
01	/6	2021-10-27	Michael Goidin	First Release	
01	=3D_Views+CAB1/50	2021-10-27	Michael Goidin	First Release	
01	/2.a	2021-10-27	Michael Goidin	First Release	
01	/2	2021-10-27	Michael Goidin	First Release	
01	=3D_Views+CAB1/51	2021-10-27	Michael Goidin	First Release	
01	=+ (CAB1)	2021-10-27	Michael Goidin	First Release	

Rev D	2022-01-17	Michael Goidin	Date	2022-02-28
Rev C	2021-11-30	Michael Goidin	Created by	Michael Goidin
Rev B	2021-10-27	Michael Goidin	Approved by	
Modification	Date	Name	Revision	Rev D

SAFETY REGULATIONS

GENERAL SAFETY REGULATIONS



DANGER !

During plant operation certain items are under dangerous voltage!
Non-observance of safety instructions can result in death, serious injuries or material damage.

Only specialist personnel may carry out transport, installation and commissioning work.

The applicable valid standards as well as the national and / or company-specific accident prevention regulations are to be observed.

The following safety instructions are to be observed:

The erection, commissioning, troubleshooting as well as repair of the plant may only be carried out by qualified personnel that is familiar with the corresponding operating instructions.

Mounting of the devices has to be effected in accordance with the valid standards, state and local regulations.
Proper grounding and conductor dimensioning as well as proper short-circuit proofing have to be ensured.
These measures serve to ensure the safety of the plant and of the operating personnel.

Before carrying out safety checks, maintenance work and repair measures ensure that all the power supplies are switched off, are secured against being switched on unintentionally and are marked correspondingly.

Only test devices that are in a technically perfect condition and are suitable for the respective measurement may be used to carry out measurements!

The instructions specified in the respective operating instructions are to be followed strictly!
It is mandatory that hazard, warning and safety instructions be observed!

All doors and covers are to be kept closed during the plant operation.
If cooling devices are installed in the plant, ensure that these systems operate trouble-free.
These include the regular cleaning of the filters, in as far as they exist.

Rev D	2022-01-17	Michael Goidin	Date	2021-12-15
Rev C	2021-11-30	Michael Goidin	Created by	Michael Goidin
Rev B	2021-10-27	Michael Goidin	Approved by	
Modification	Date	Name	Revision	Rev D

WIRING REGULATIONS

(Symbols in accordance with IEC 60757)

WIRING COLORS

Main current AC	Black (BK)	Control circuit DC	Blue (BU)
Neutral conductor	Red (RD)	External voltage	Orange (OG)
Neutral conductor	Red (RD)	Jumpers	Orange (OG)
Protective wire	Green-yellow (GNYE)		

MINIMUM CROSS-SECTIONS

Main current	2,5 mm ²
Control line	0,75 mm ²
PLC wiring	0,75 mm ²

CROSS REFERENCE AWG TO MM2

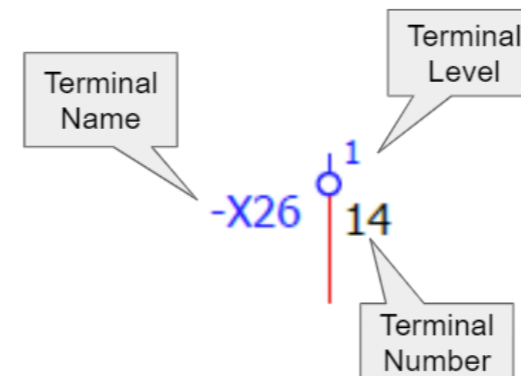
AWG	MM2
26	0.14
24	0.25
22	0.34
21	0.38
20	0.5
18	0.75
17	1
16	1.5
14	2.5
12	4
10	6
8	10
6	16

MATERIAL REGULATIONS

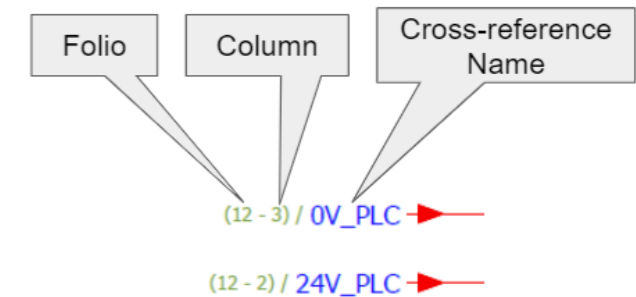
ENCLOSURES

Enclosures	RITTAL WM 1244.250
Enclosure protection category	NEMA 4
Enclosure color	RAL 9005
Degree of protection	IP 66

Terminals Configuration



Cross-references

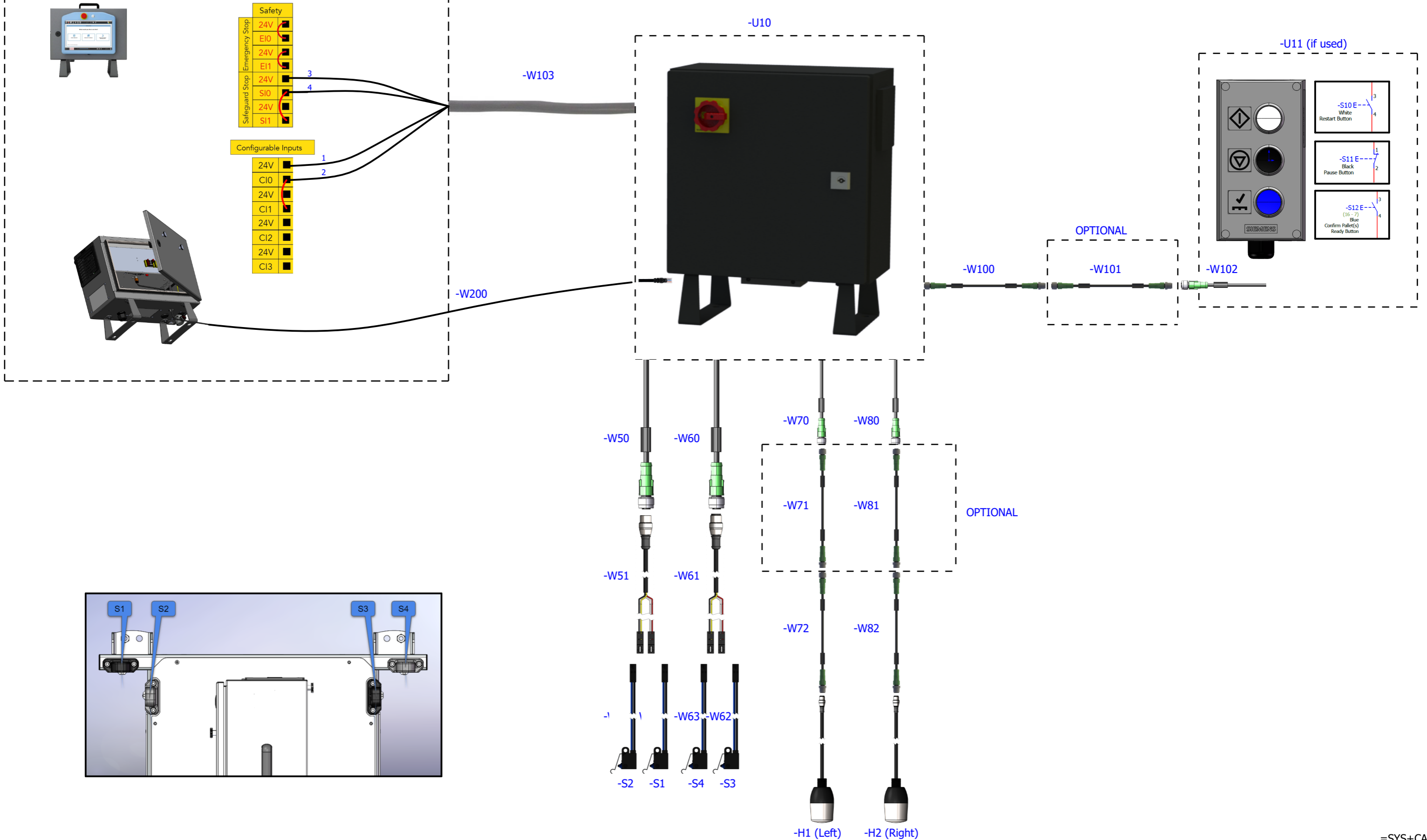


Rev D	2022-01-17	Michael Goidin	Date	2022-02-28
Rev C	2021-11-30	Michael Goidin	Created by	Michael Goidin
Rev B	2021-10-27	Michael Goidin	Approved by	
Modification	Date	Name	Revision	Rev D

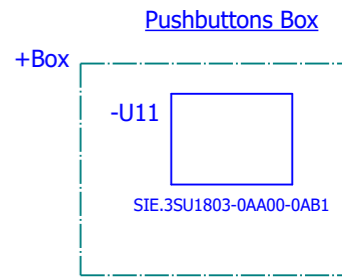
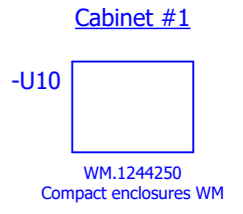
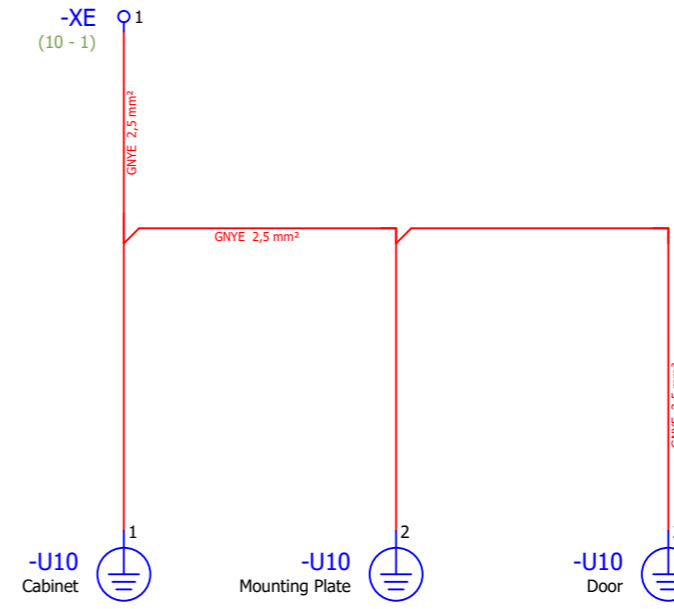
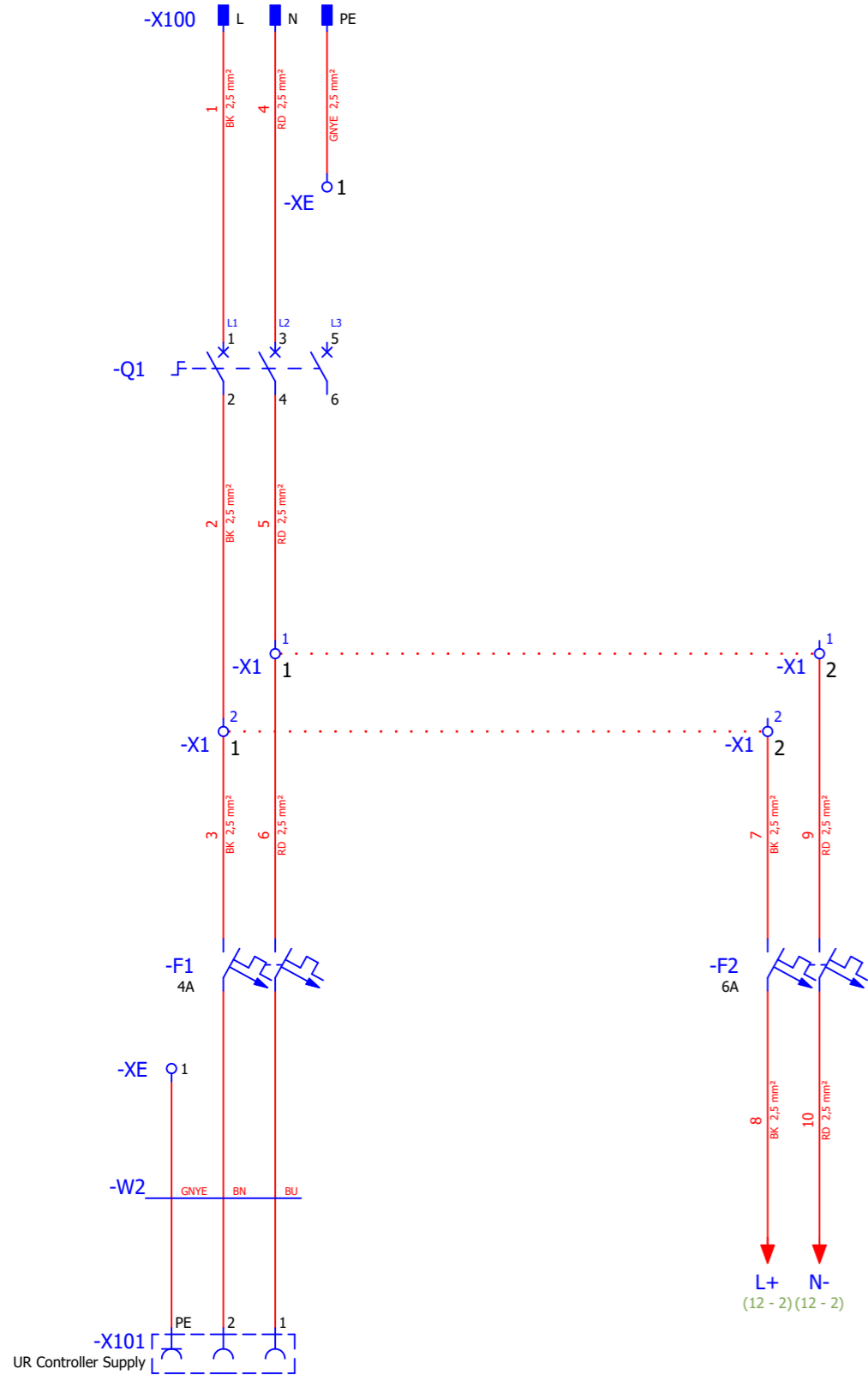
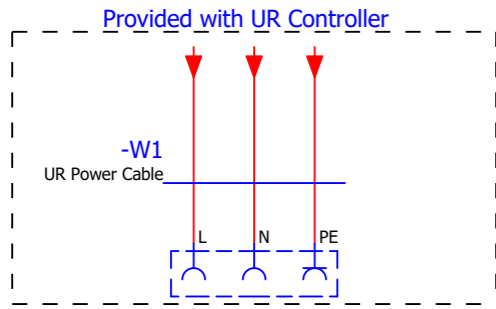
System Overview

UR CONTROLLER

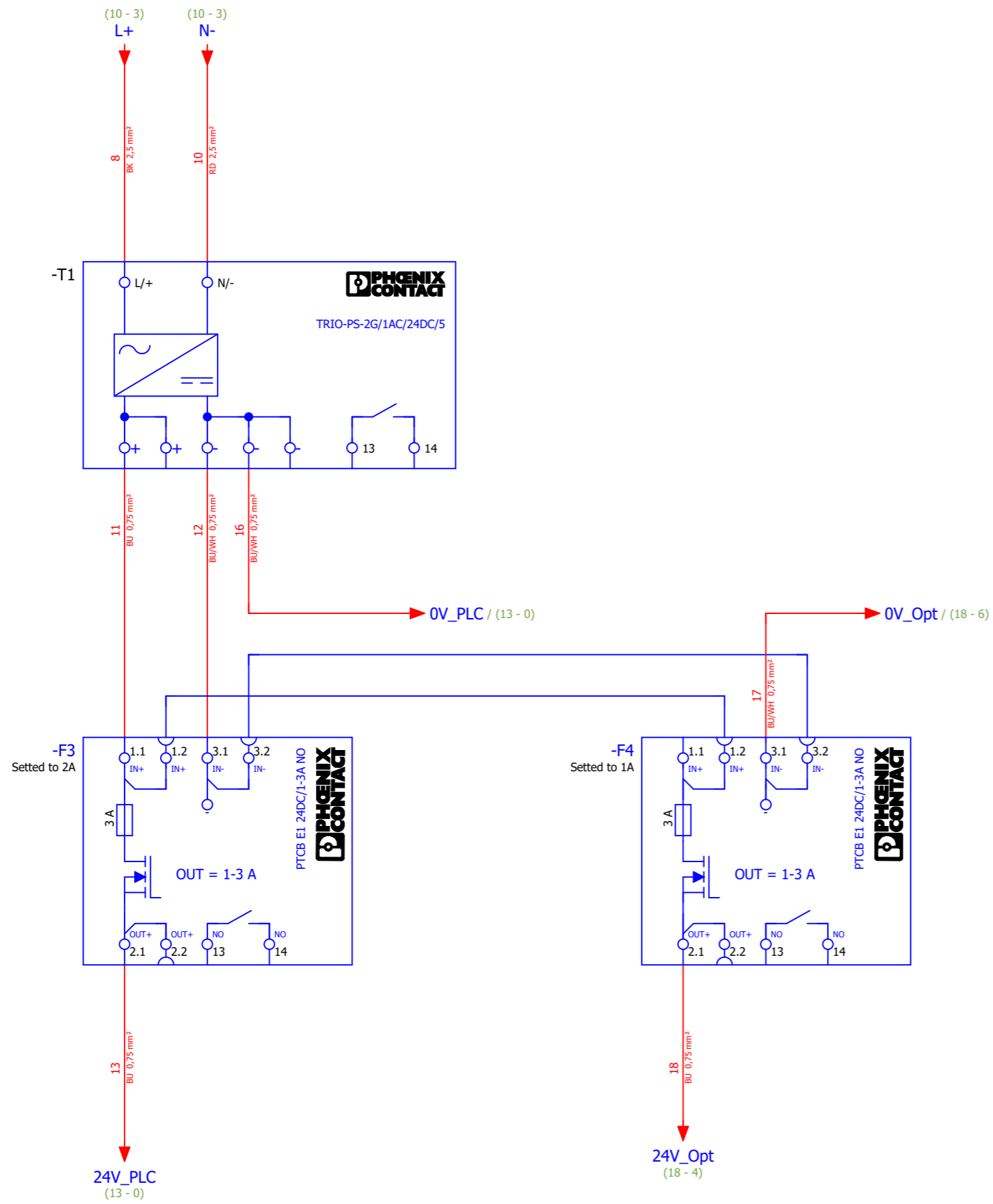
The wiring diagram may differ based on whether or not you are using the push button enclosure (-U11). Please refer to the user manual for more information.



Rev D	2022-01-17	Michael Goidin	Date	2021-12-15
Rev C	2021-11-30	Michael Goidin	Created by	Michael Goidin
Rev B	2021-10-27	Michael Goidin	Approved by	
Modification	Date	Name	Revision	Rev D



Rev D	2022-01-17	Michael Goidin	Date	2021-12-15
Rev C	2021-11-30	Michael Goidin	Created by	Michael Goidin
Rev B	2021-10-27	Michael Goidin	Approved by	
Modification	Date	Name	Revision	Rev D



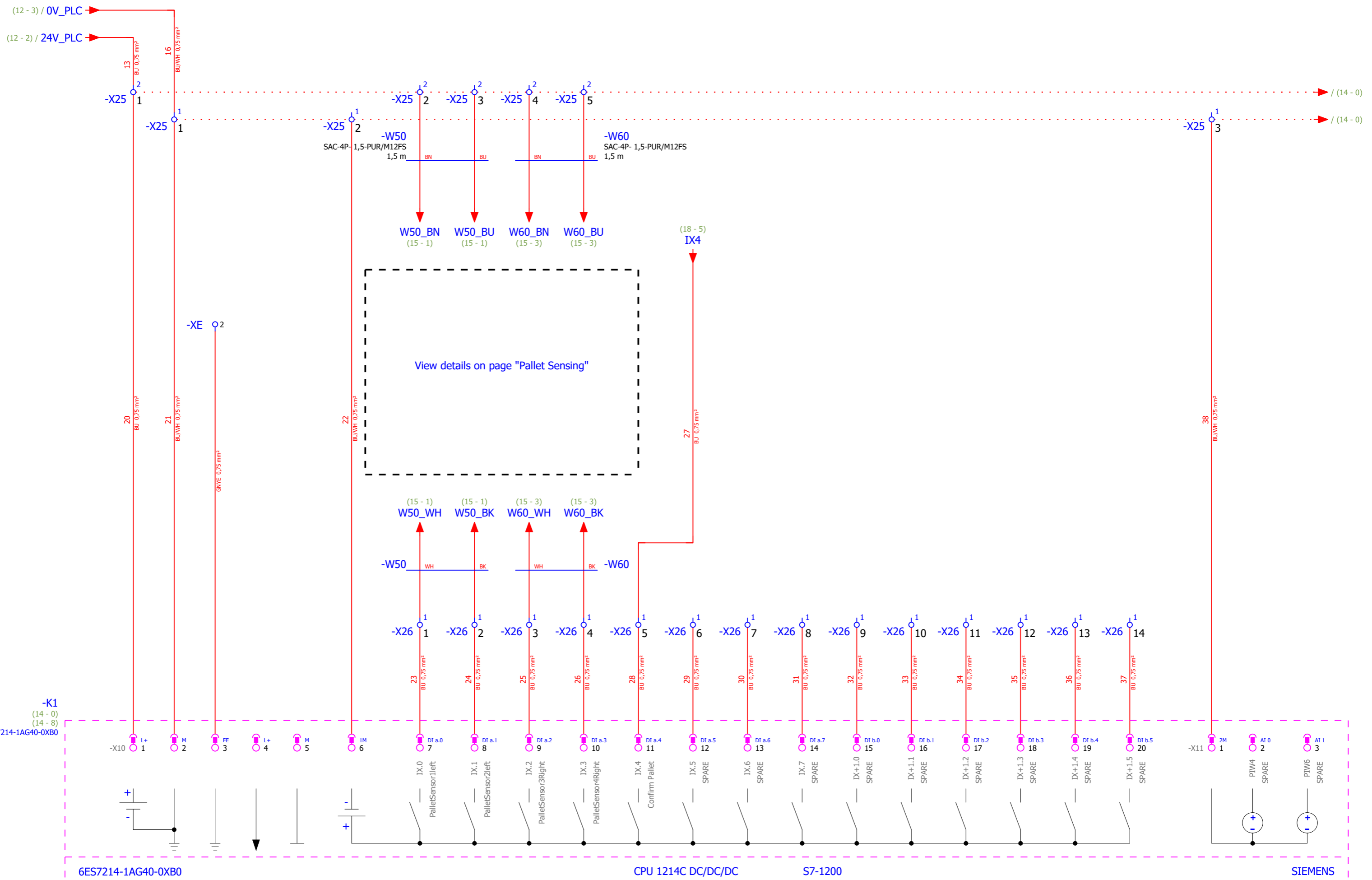
Rev D	2022-01-17	Michael Goidin	Date	2021-12-15
Rev C	2021-11-30	Michael Goidin	Created by	Michael Goidin
Rev B	2021-10-27	Michael Goidin	Approved by	
Modification	Date	Name	Revision	Rev D

Palletizing



DC Voltage Supply

PAL-AE05	Folio 12
	Page 13 / 43



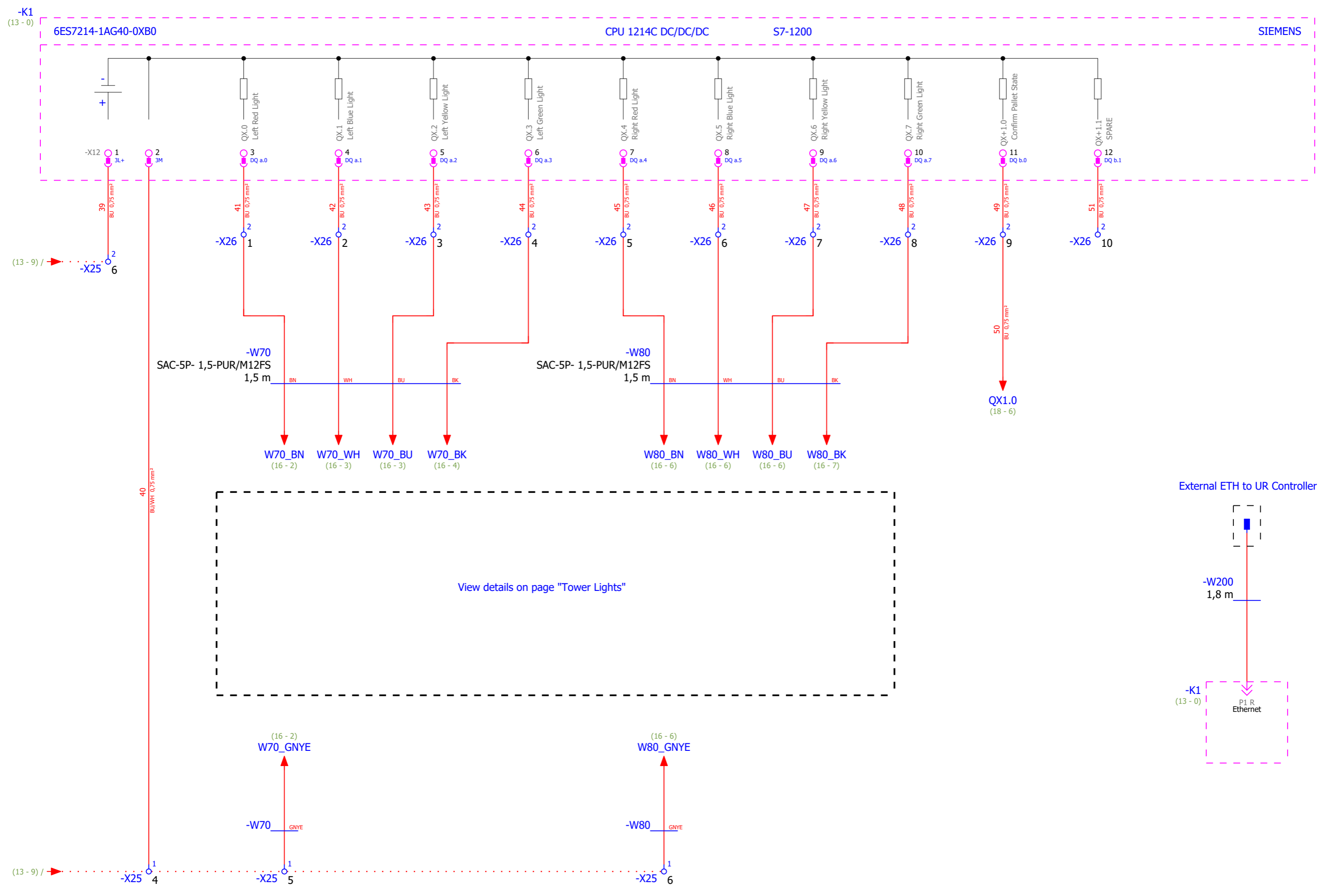
Rev D	2022-01-17	Michael Goidin	Date	2021-12-15
Rev C	2021-11-30	Michael Goidin	Created by	Michael Goidin
Rev B	2021-10-27	Michael Goidin	Approved by	
Modification	Date	Name	Revision	Rev D

Palletizing

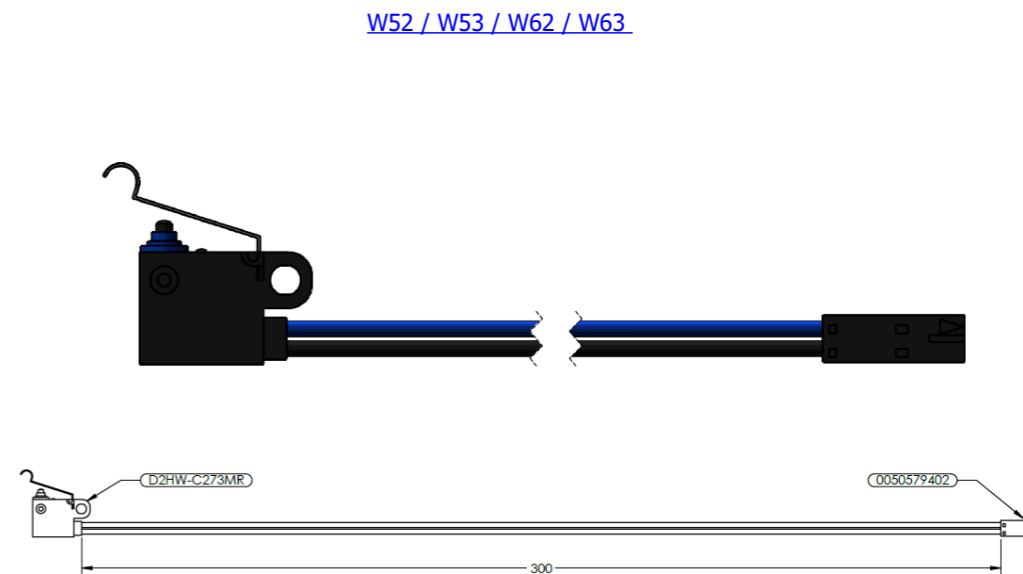
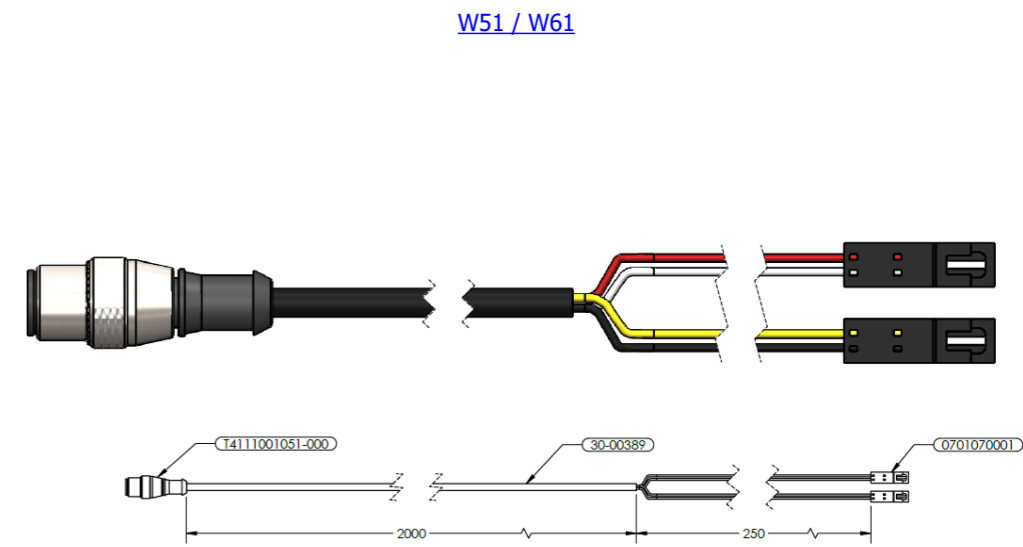
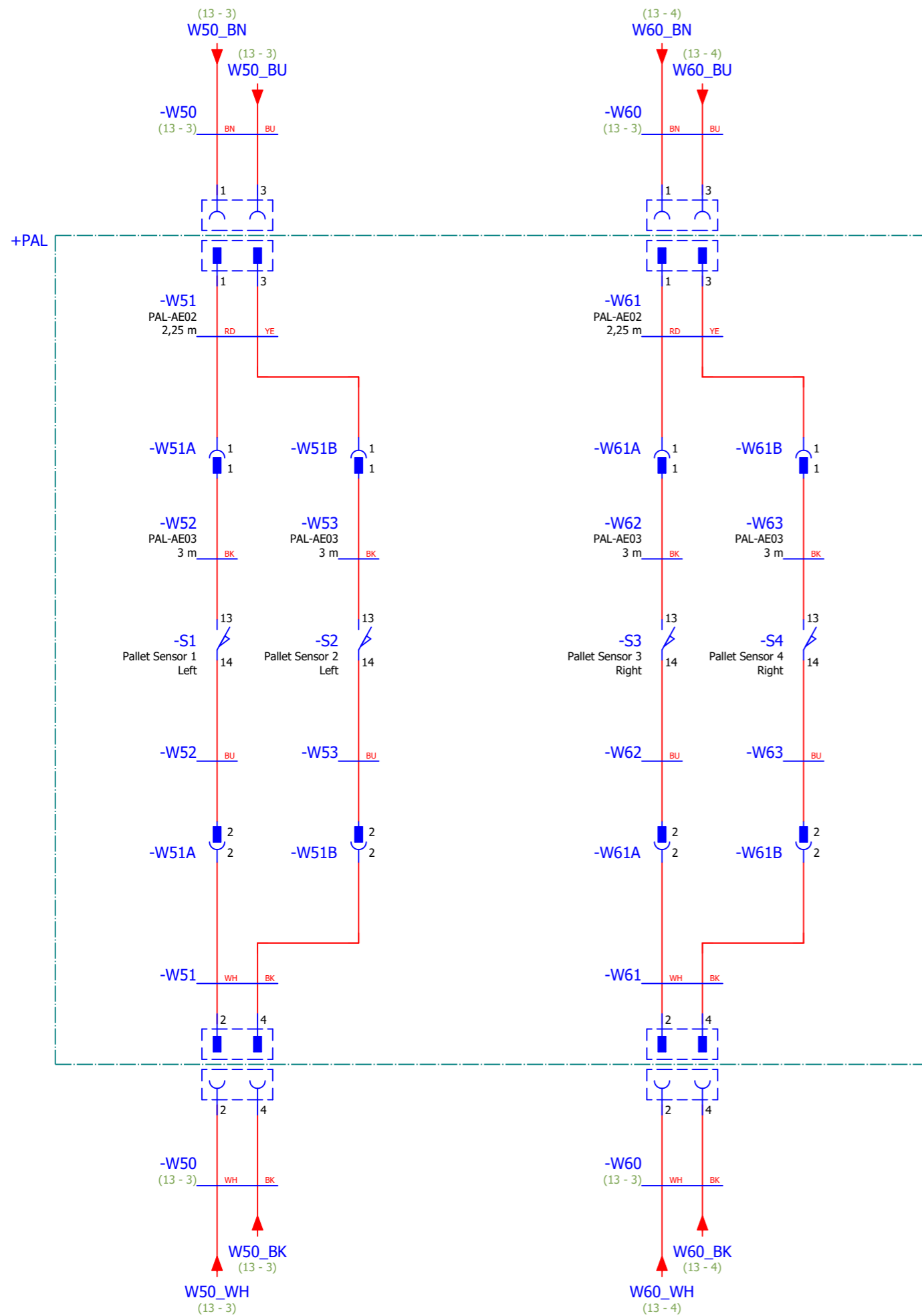


PLC - Inputs

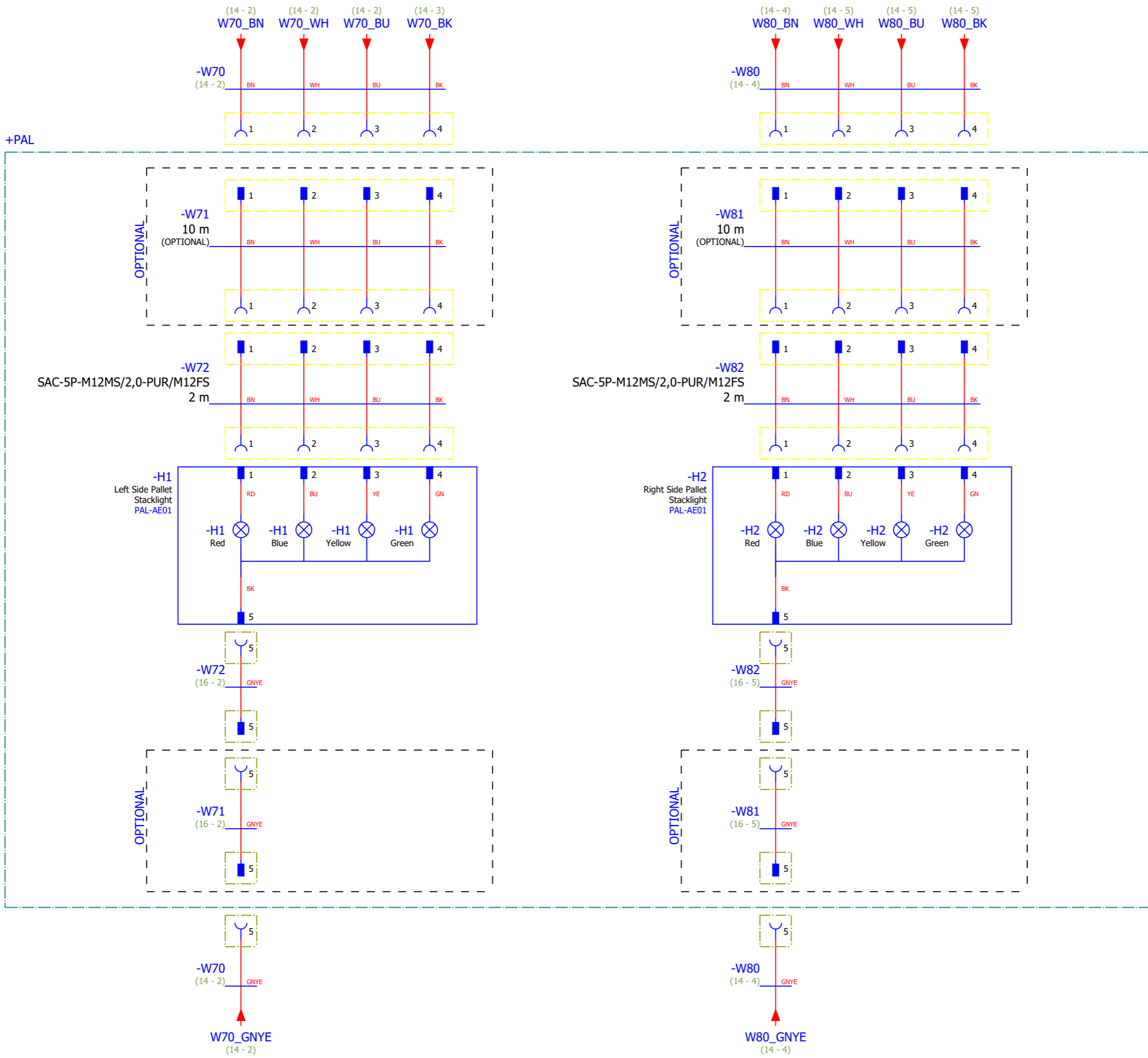
PAL-AE05



Rev D	2022-01-17	Michael Goidin	Date	2021-12-15
Rev C	2021-11-30	Michael Goidin	Created by	Michael Goidin
Rev B	2021-10-27	Michael Goidin	Approved by	
Modification	Date	Name	Revision	Rev D



Rev D	2022-01-17	Michael Goidin	Date	2021-12-15
Rev C	2021-11-30	Michael Goidin	Created by	Michael Goidin
Rev B	2021-10-27	Michael Goidin	Approved by	
Modification	Date	Name	Revision	Rev D



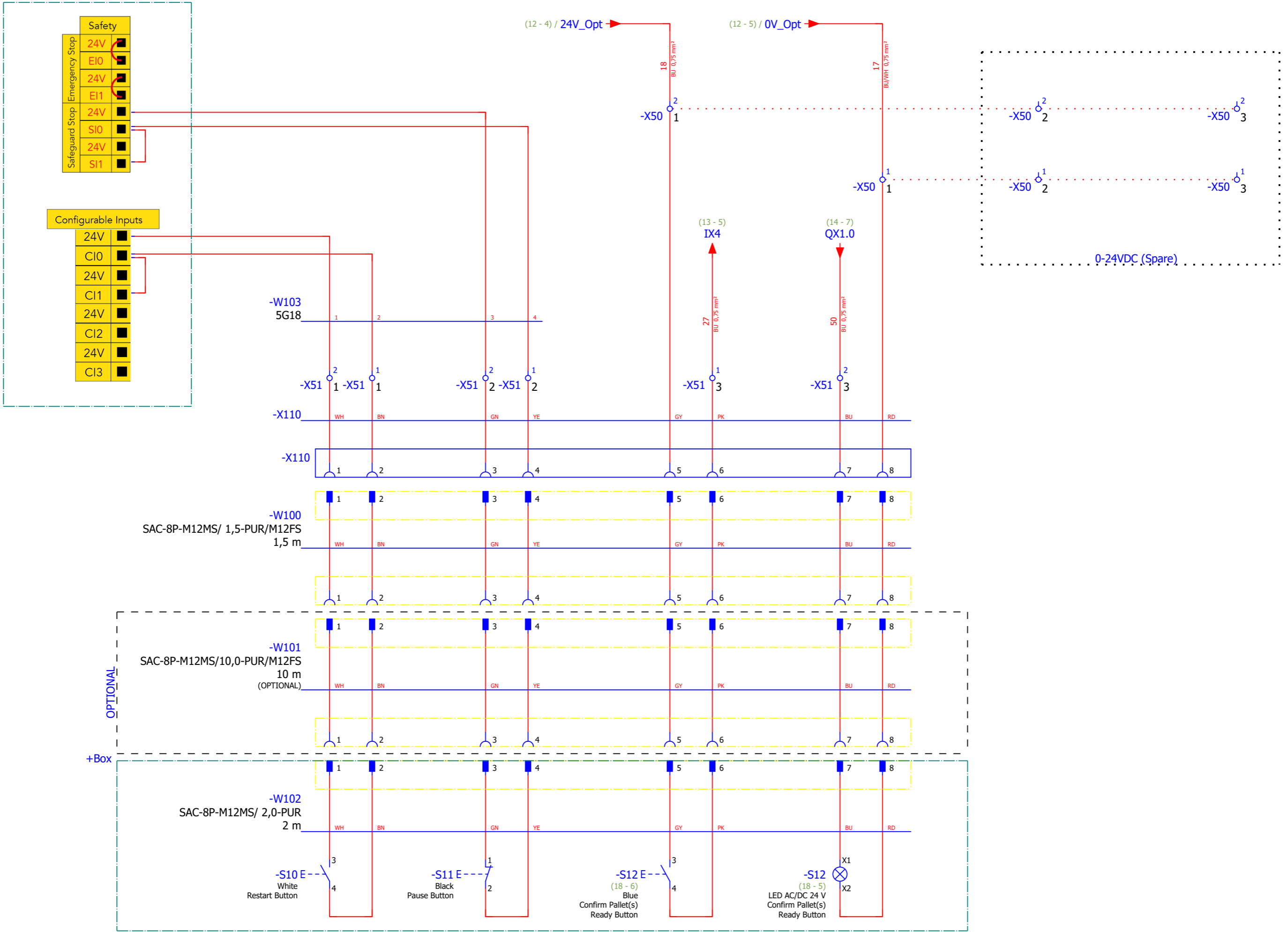
Rev D	2022-01-17	Michael Goidin	Date	2022-01-17
Rev C	2021-11-30	Michael Goidin	Created by	Michael Goidin
Rev B	2021-10-27	Michael Goidin	Approved by	
Modification	Date	Name	Revision	Rev D

Palletizing



Tower lights

PAL-AE05	Folio 16
	Page 17 / 43



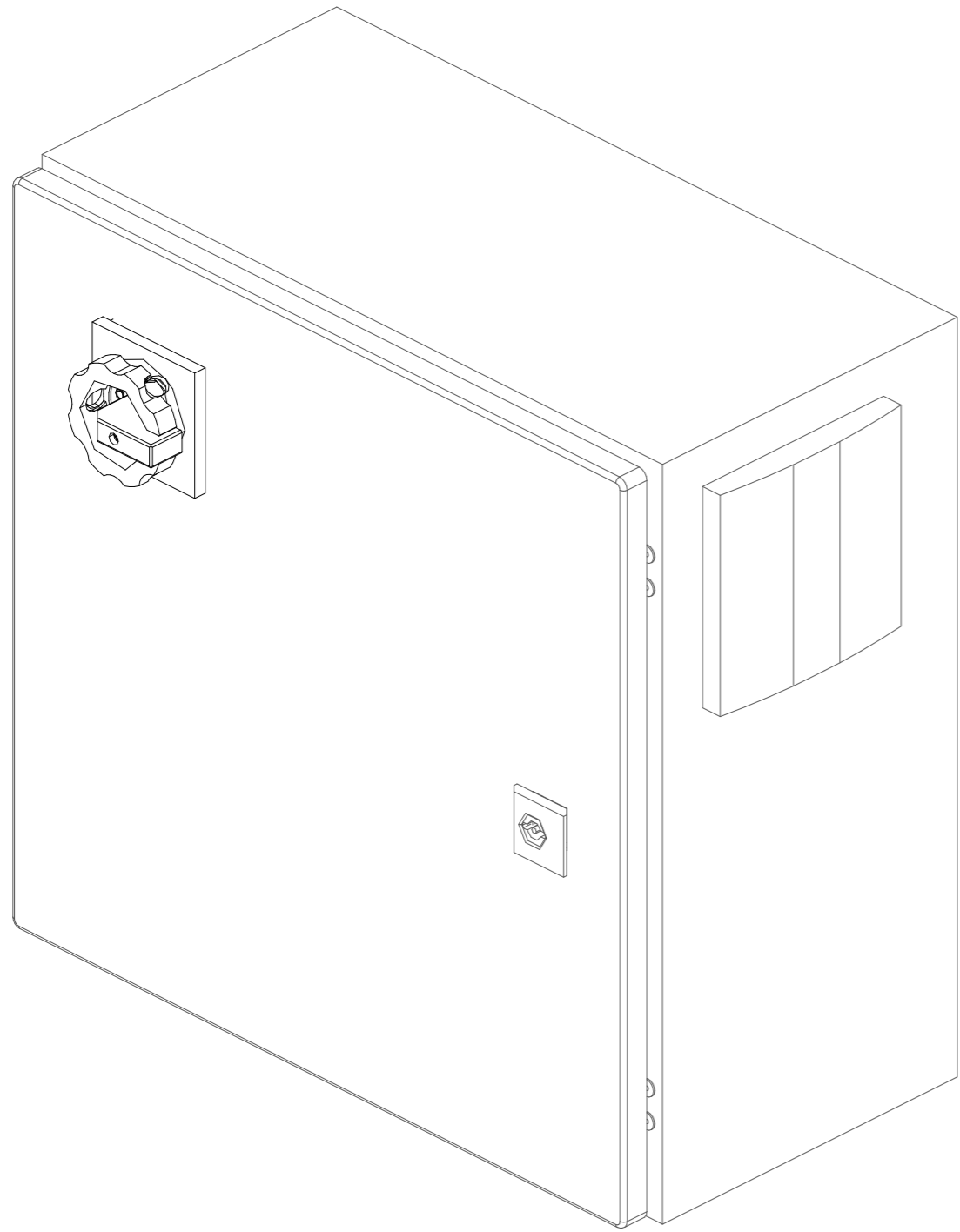
Rev D	2022-01-17	Michael Goidin	Date	2022-01-20
Rev C	2021-11-30	Michael Goidin	Created by	Michael Goidin
Rev B	2021-10-27	Michael Goidin	Approved by	
Modification	Date	Name	Revision	Rev D

Palletizing

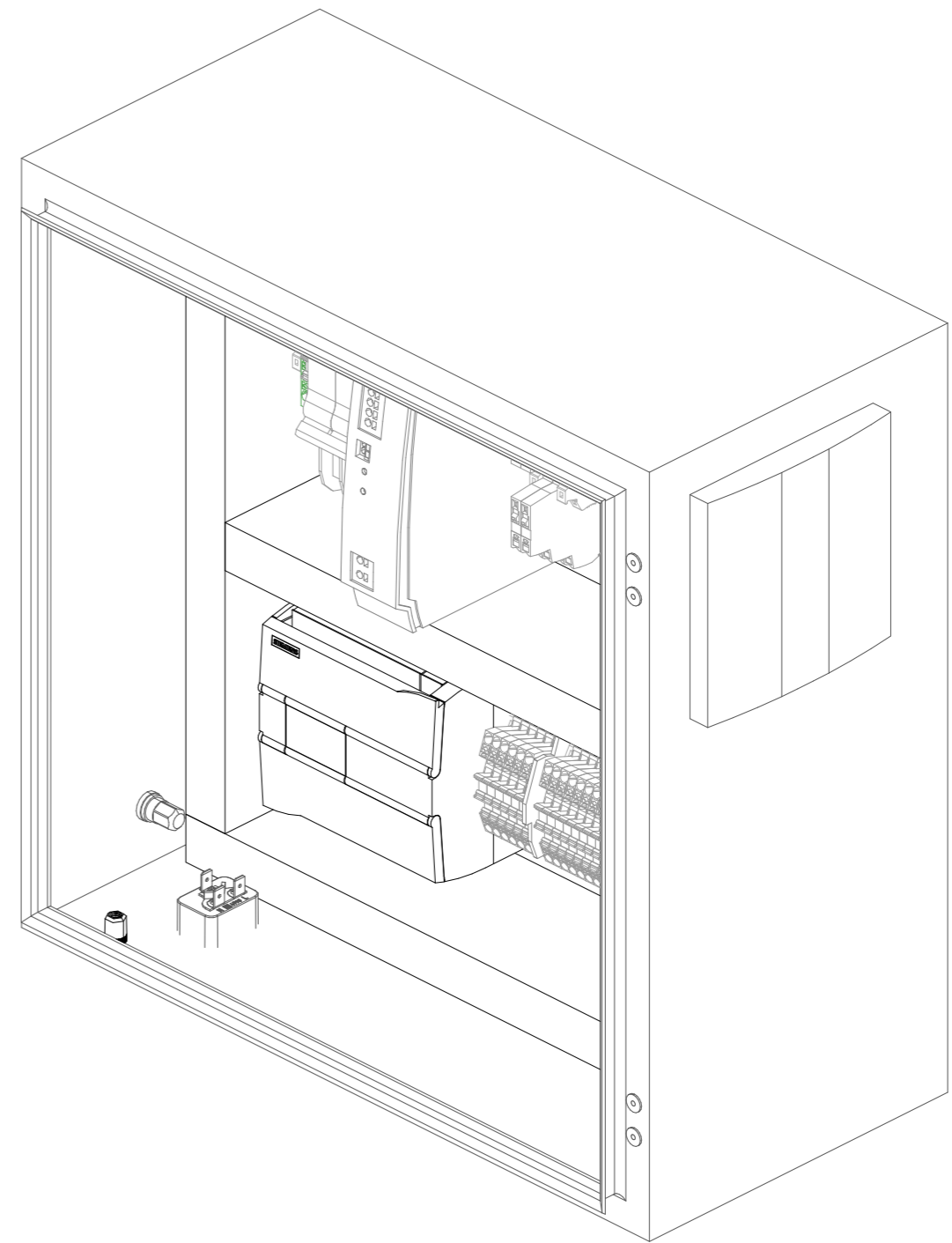


System Options

PAL-AE05	Folio 18
	Page 18 / 43



Outside



Inside

=SYS/18

Rev D	2022-01-17	Michael Goidin	Date	2021-12-15
Rev C	2021-11-30	Michael Goidin	Created by	Michael Goidin
Rev B	2021-10-27	Michael Goidin	Approved by	
Modification	Date	Name	Revision	Rev D

Palletizing

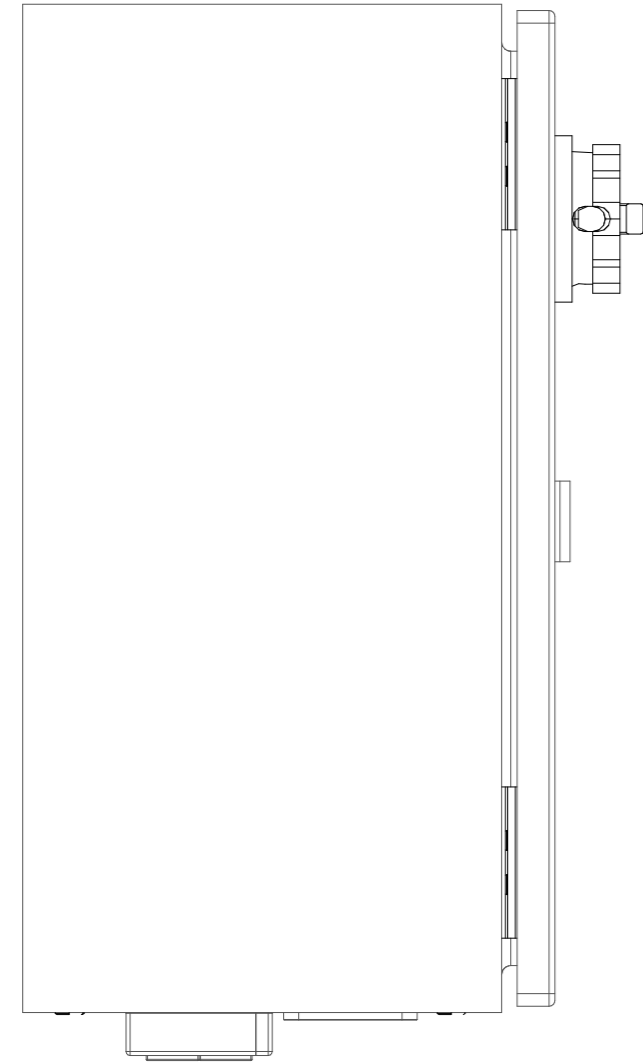


General Views

PAL-AE05

Folio 50

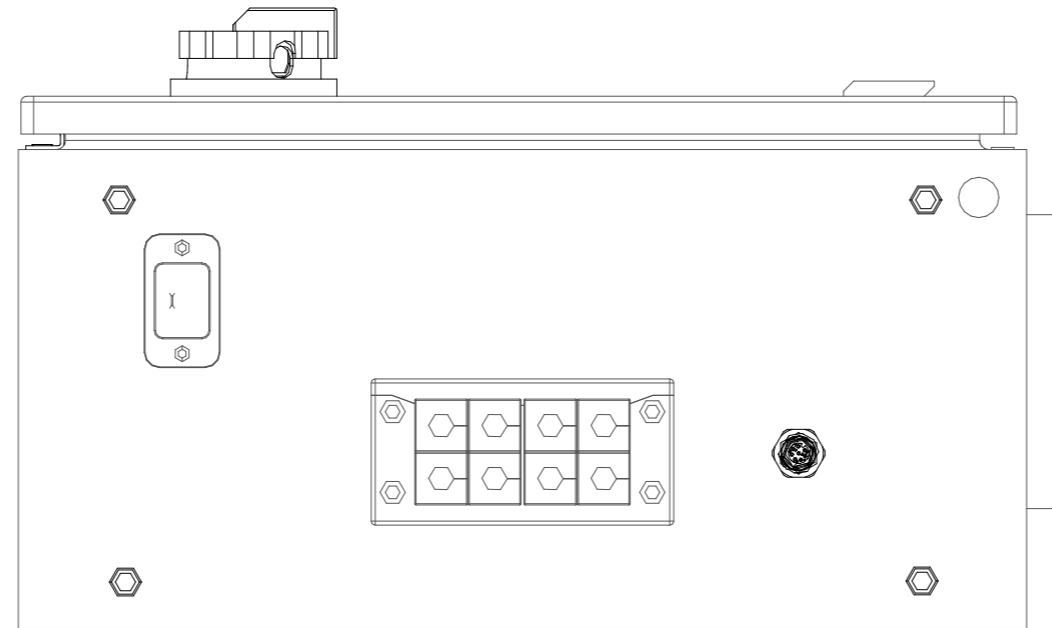
Page 19 / 43



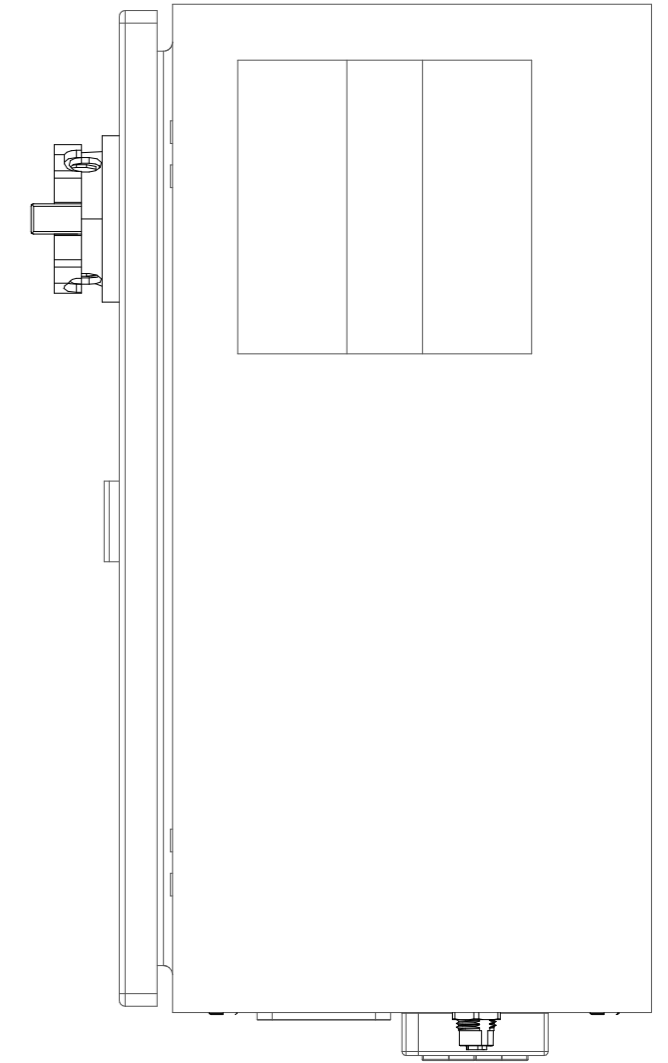
Left Side



Top

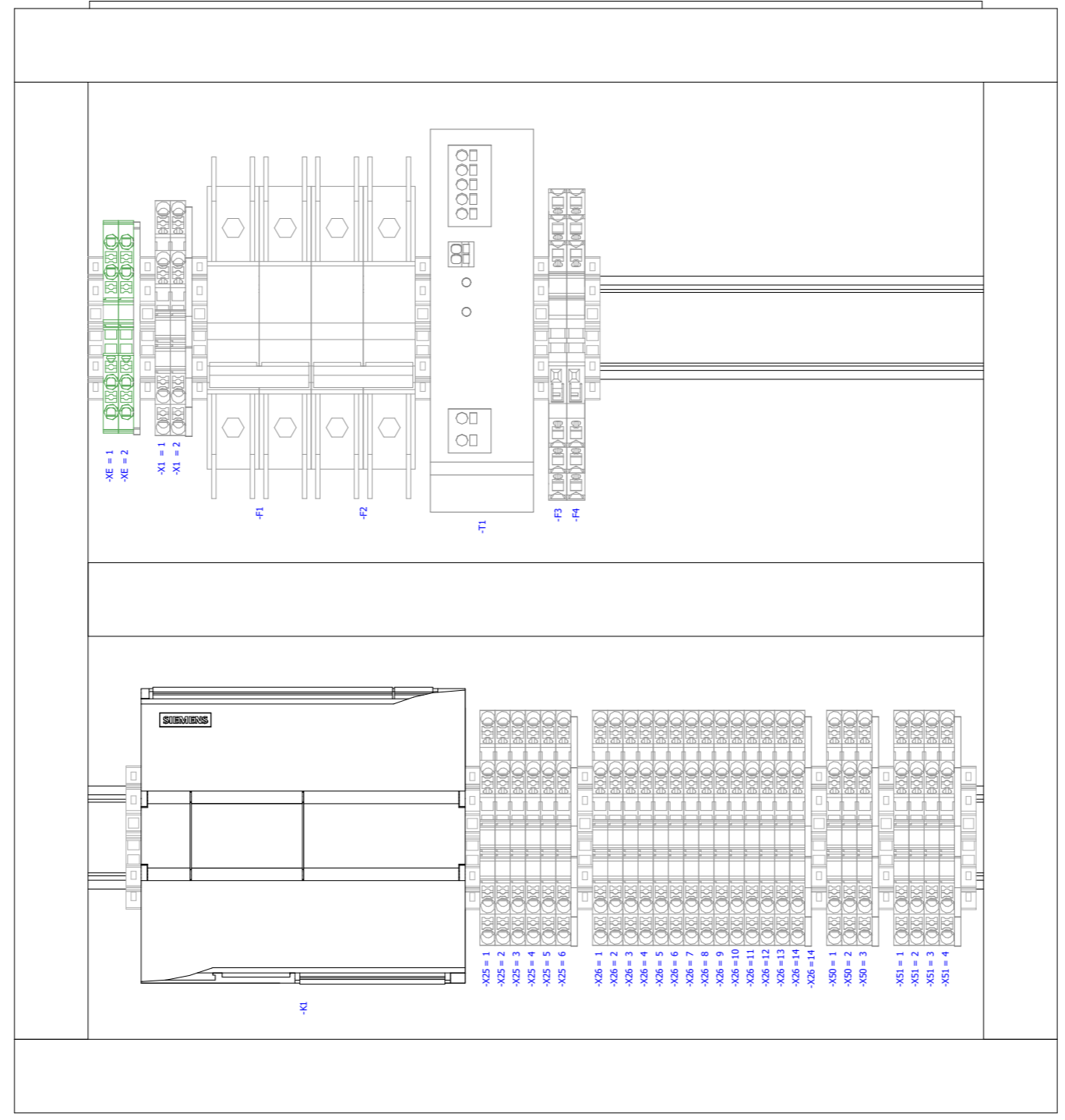


Bottom



Right Side

Rev D	2022-01-17	Michael Goidin	Date	2021-12-15
Rev C	2021-11-30	Michael Goidin	Created by	Michael Goidin
Rev B	2021-10-27	Michael Goidin	Approved by	
Modification	Date	Name	Revision	Rev D



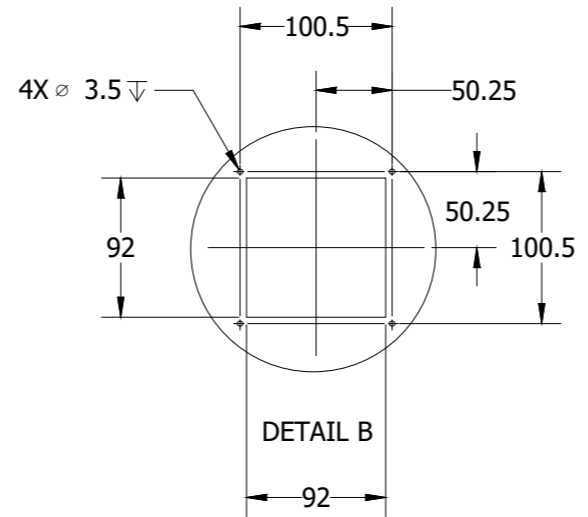
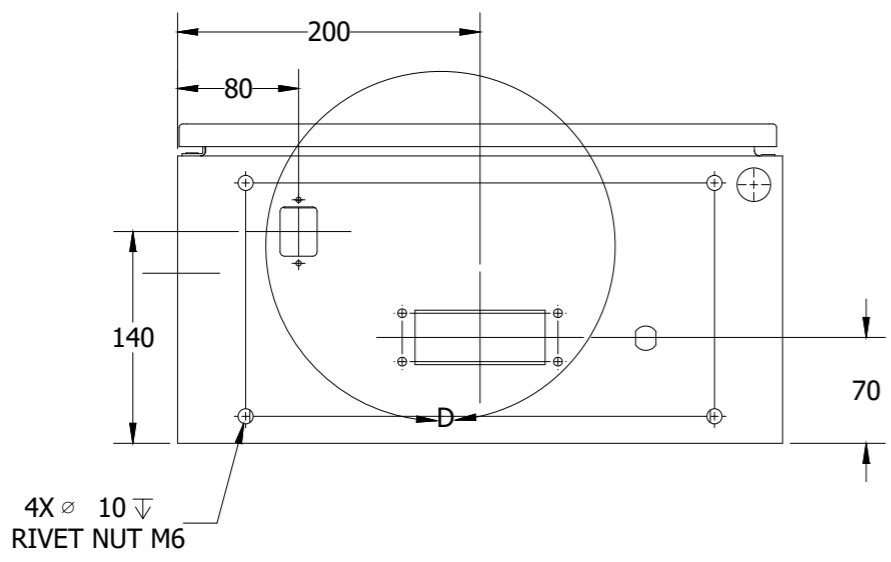
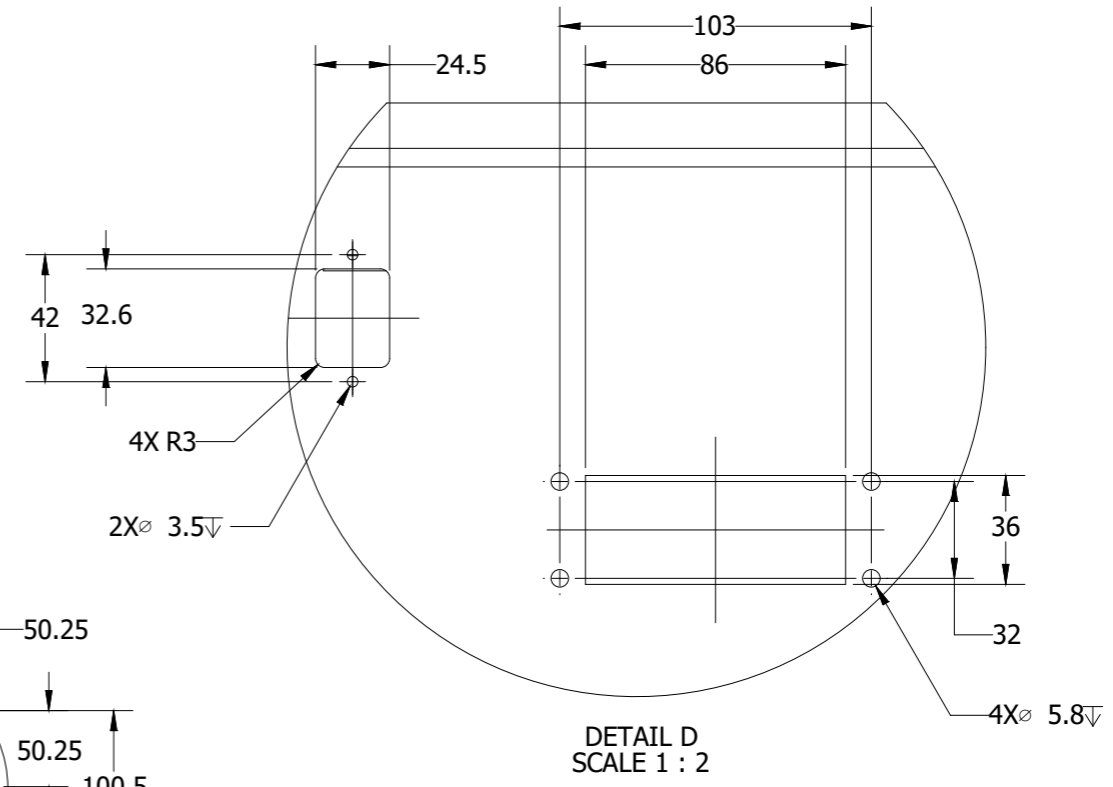
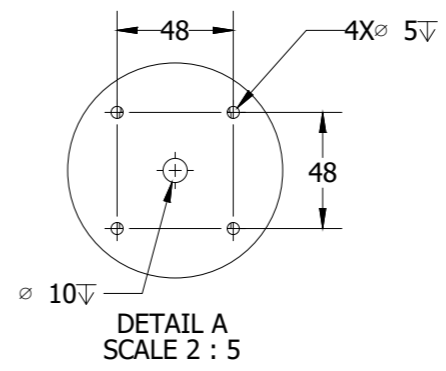
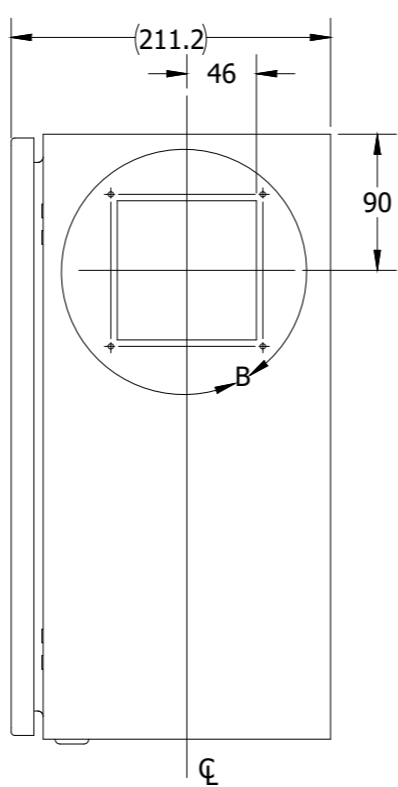
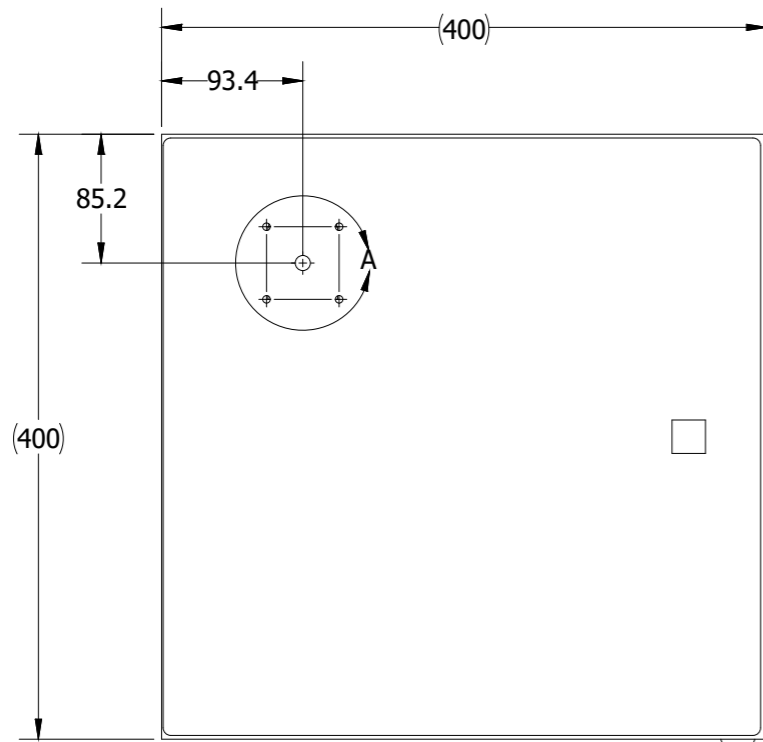
Mounting plate

Rev D	2022-01-17	Michael Goidin	Date	2021-12-15
Rev C	2021-11-30	Michael Goidin	Created by	Michael Goidin
Rev B	2021-10-27	Michael Goidin	Approved by	
Modification	Date	Name	Revision	Rev D

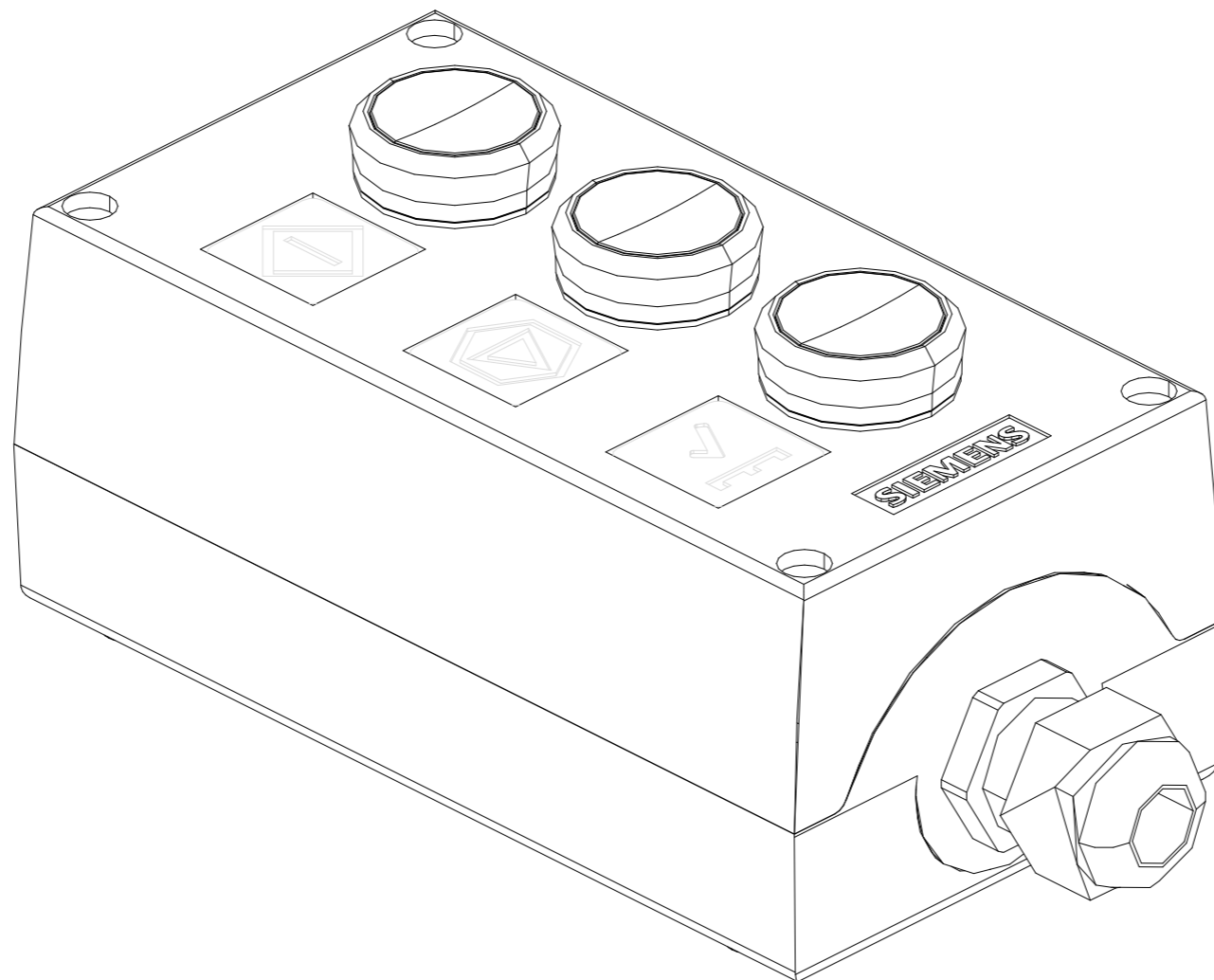
Palletizing



Mounting Plate



Rev D	2022-01-17	Michael Goidin	Date	2022-01-10
Rev C	2021-11-30	Michael Goidin	Created by	Michael Goidin
Rev B	2021-10-27	Michael Goidin	Approved by	
Modification	Date	Name	Revision	Rev D



Pushbuttons

+CAB1/53

=Reports+CAB1/100

Rev D	2022-01-17	Michael Goidin	Date	2021-12-15
Rev C	2021-11-30	Michael Goidin	Created by	Michael Goidin
Rev B	2021-10-27	Michael Goidin	Approved by	
Modification	Date	Name	Revision	Rev D

Palletizing



Pushbuttons Box

PAL-AE05

Folio 54

Page 23 / 43

Parts list

Device tag Placement	Qty	Designation	Order number	Manufacturer Supplier	ERP number Function text
-1 (CAB1.S1)	1	End clamp CLIPFIX 35-5	3022276	Phoenix Contact PAX	
-2 (CAB1.S1)	1	End clamp CLIPFIX 35-5	3022276	Phoenix Contact PAX	
-3 (CAB1.S1)	1	End clamp CLIPFIX 35-5	3022276	Phoenix Contact PAX	
-6 (CAB1.S1)	1	End clamp CLIPFIX 35-5	3022276	Phoenix Contact PAX	
-7 (CAB1.S1)	1	End clamp CLIPFIX 35-5	3022276	Phoenix Contact PAX	
-8 (CAB1.S1)	1	End clamp CLIPFIX 35-5	3022276	Phoenix Contact PAX	
-F1 (=SYS10 - 1)	1	Circuit breaker TMC 82C 04A TMC 82C 04A	2907586	Phoenix Contact PAX	
-F2 (=SYS10 - 3)	1	Circuit breaker TMC 82C 06A TMC 82C 06A	2907588	Phoenix Contact PAX	
-F3 (=SYS12 - 1)	1	Electronic device circuit breaker PTCB E1 24DC/1-3A NO	2909909	Phoenix Contact PAX	
-F3 (=SYS12 - 1)	1	Plug-in bridge FBS 2-6 BU	3036932	Phoenix Contact PAX	
-F3 (=SYS12 - 1)	1	Plug-in bridge FBS 2-6	3030336	Phoenix Contact PAX	
-F4 (=SYS12 - 4)	1	Electronic device circuit breaker PTCB E1 24DC/1-3A NO	2909909	Phoenix Contact PAX	
-H1 (=SYS16 - 2)	1	Stack Light Cable Prefabricated Harness	PAL-AE01	Robotiq ROB	PAL-AE01
-H2 (=SYS16 - 5)	1	Stack Light Cable Prefabricated Harness	PAL-AE01	Robotiq ROB	PAL-AE01
-K1 (=SYS13 - 0)	1	CPU 1214C, DC/DC/DC, 14DI/10DO/2AI 6ES7214-1AG40-0XB0	6ES7214-1AG40-0XB0	Siemens FRE	
-Q1 (=SYS10 - 1)	1	EM. STOP SWITCH 25A/690V 400V/9.5KW 3LD2103-0TK53	3LD2103-0TK53	Siemens FRE	
-S10 (=SYS18 - 2)	1	PUSHBUTTON, WHITE 3SU1050-0AB60-0AA0	3SU1050-0AB60-0AA0	Siemens FRE	X-440001
-S10 (=SYS18 - 2)	1	HOLDER 3SU1550-0AA10-0AA0	3SU1550-0AA10-0AA0	Siemens FRE	X-450001

Rev D	2022-01-17	Michael Goidin	Date	2022-02-28
Rev C	2021-11-30	Michael Goidin	Created by	Michael Goidin
Rev B	2021-10-27	Michael Goidin	Approved by	
Modification	Date	Name	Revision	Rev D



Parts list

Device tag Placement	Qty	Designation	Order number	Manufacturer Supplier	ERP number Function text
-S10 (=SYS18 - 2)	1	CONTACT MODULE 1NO 3SU1400-1AA10-1BA0	3SU1400-1AA10-1BA0	Siemens FRE	X-450002
-S11 (=SYS18 - 3)	1	PUSHBUTTON, BLACK 3SU1050-0AB10-0AA0	3SU1050-0AB10-0AA0	Siemens FRE	X-440002
-S11 (=SYS18 - 3)	1	HOLDER 3SU1550-0AA10-0AA0	3SU1550-0AA10-0AA0	Siemens FRE	X-450001
-S11 (=SYS18 - 3)	1	CONTACT MODULE 1NC 3SU1400-1AA10-1CA0	3SU1400-1AA10-1CA0	Siemens FRE	X-450009
-S12 (=SYS18 - 5)	1	ILLUMINATED PUSHBUTTON, BLUE 3SU1051-0AB50-0AA0	3SU1051-0AB50-0AA0	Siemens FRE	X-440003
-S12 (=SYS18 - 5)	1	HOLDER 3SU1550-0AA10-0AA0	3SU1550-0AA10-0AA0	Siemens FRE	X-450001
-S12 (=SYS18 - 5)	1	CONTACT MODULE 1NO 3SU1400-1AA10-1BA0	3SU1400-1AA10-1BA0	Siemens FRE	X-450002
-S12 (=SYS18 - 5)	1	LED MODULE, BLUE 3SU1401-1BB50-1AA0	3SU1401-1BB50-1AA0	Siemens FRE	X-450003
-T1 (=SYS12 - 1)	1	Power supply unit TRIO-PS-2G/1AC/24DC/5	2903148	Phoenix Contact PAX	
-U10 (=SYS10 - 9)	1	Compact enclosures WM WM.1244250	1244250	Rittal PAX	
-U11 (=SYS10 - 9)	1	ENCLOSURE PLASTIC, 3 COMMAND POINTS 3SU1803-0AA00-0AB1	3SU1803-0AA00-0AB1	Siemens FRE	X-450004
-U11 (=SYS10 - 9)	1	Cable gland G-INS-M20-S68N-PNES-BK	1411133	Phoenix Contact PAX	X-450006
-U11 (=SYS10 - 9)	1	Nut A-INL-M20-P-BK	1411215	Phoenix Contact PAX	X-450010
-U11 (=SYS10 - 9)	1	Start button symbol Sticker	PAL-AE059	Robotiq ROB	PAL-AE059
-U11 (=SYS10 - 9)	1	Stop button symbol Sticker	PAL-AE060	Robotiq ROB	PAL-AE060
-U11 (=SYS10 - 9)	1	Pallet button symbol Sticker	PAL-AE061	Robotiq ROB	PAL-AE061
-U15 (=SYS10 - 9)	1	Outlet filter SK.3237200	3237200	Rittal PAX	
-U15 (=SYS10 - 9)	1	KEL-ER 16 8 / Cable entry frame, split, double row, IP65 KEL-ER 16 8	48168	Icotek IAC	

Rev D	2022-01-17	Michael Goidin	Date	2022-02-28
Rev C	2021-11-30	Michael Goidin	Created by	Michael Goidin
Rev B	2021-10-27	Michael Goidin	Approved by	
Modification	Date	Name	Revision	Rev D

Palletizing



Parts list : SIE.3SU1400-1AA10-1BA0 - ICO.48168

PAL-AE05	Folio	101
	Page	25 / 43

Parts list

Device tag Placement	Qty	Designation	Order number	Manufacturer Supplier	ERP number Function text
-U15 (=SYS10 - 9)	16	Resistant Rivet Nuts M6x1.0 Interior Thread, .7-4.2mm Steel Twist-Resistant Rivet Nuts	95105A183	Mc Master MCM	
-U15 (=SYS10 - 9)	1	Cam lock SZ.2420000	2420000	Rittal PAX	
-W50 (=SYS13 - 3)	1	Sensor/actuator cable SAC-4P- 1,5-PUR/M12FS	1668108	Phoenix Contact PAX	
-W51 (=SYS15 - 1)	1	Pallet Sensor Cable (M12 4P) Prefabricated Harness	PAL-AE02	Robotiq ROB	PAL-AE02
-W52 (=SYS15 - 1)	1	Pallet Sensor Cable (Sensor) Prefabricated Harness	PAL-AE03	Robotiq ROB	PAL-AE03
-W53 (=SYS15 - 2)	1	Pallet Sensor Cable (Sensor) Prefabricated Harness	PAL-AE03	Robotiq ROB	PAL-AE03
-W60 (=SYS13 - 3)	1	Sensor/actuator cable SAC-4P- 1,5-PUR/M12FS	1668108	Phoenix Contact PAX	
-W61 (=SYS15 - 3)	1	Pallet Sensor Cable (M12 4P) Prefabricated Harness	PAL-AE02	Robotiq ROB	PAL-AE02
-W62 (=SYS15 - 3)	1	Pallet Sensor Cable (Sensor) Prefabricated Harness	PAL-AE03	Robotiq ROB	PAL-AE03
-W63 (=SYS15 - 4)	1	Pallet Sensor Cable (Sensor) Prefabricated Harness	PAL-AE03	Robotiq ROB	PAL-AE03
-W70 (=SYS14 - 2)	1	Sensor/actuator cable SAC-5P- 1,5-PUR/M12FS	1669822	Phoenix Contact PAX	
-W71 (=SYS16 - 2)	1	Sensor/actuator cable SAC-5P-M12MS/10,0-PUR/M12FS	1403889	Phoenix Contact PAX	X-060891
-W72 (=SYS16 - 2)	1	Sensor/actuator cable SAC-5P-M12MS/2,0-PUR/M12FS	1694758	Phoenix Contact PAX	X-060892
-W80 (=SYS14 - 4)	1	Sensor/actuator cable SAC-5P- 1,5-PUR/M12FS	1669822	Phoenix Contact PAX	
-W81 (=SYS16 - 5)	1	Sensor/actuator cable SAC-5P-M12MS/10,0-PUR/M12FS	1403889	Phoenix Contact PAX	X-060891
-W82 (=SYS16 - 5)	1	Sensor/actuator cable SAC-5P-M12MS/2,0-PUR/M12FS	1694758	Phoenix Contact PAX	X-060892
-W100 (=SYS18 - 2)	1	Sensor/actuator cable SAC-8P-M12MS/ 1,5-PUR/M12FS	1522697	Phoenix Contact PAX	X-060893
-W101 (=SYS18 - 2)	1	Sensor/actuator cable SAC-8P-M12MS/10,0-PUR/M12FS	1529179	Phoenix Contact PAX	X-060894

Rev D	2022-01-17	Michael Goidin	Date	2022-02-28
Rev C	2021-11-30	Michael Goidin	Created by	Michael Goidin
Rev B	2021-10-27	Michael Goidin	Approved by	
Modification	Date	Name	Revision	Rev D

Palletizing



Parts list : MCM.95105A183 - PXC.1529179

PAL-AE05	Folio 102
	Page 26 / 43

Parts list

Device tag Placement	Qty	Designation	Order number	Manufacturer Supplier	ERP number Function text
-W102 (=SYS18 - 2)	1	Sensor/actuator cable SAC-8P-M12MS/ 2,0-PUR	1401348	Phoenix Contact PAX	X-060895
-W103 (=SYS18 - 2)	1	ÖLFLEX 190 5G18AWG ÖLFLEX® 190	601805	LAPP LAPP	X-450007
-W200 (=SYS14 - 8)	1	Ethernet cable Cat5e 6ft 350Mhz RJ45 ETH Cables Cat6 10ft	AT-C5-6WH	Prime Cables PRC	
-X1 (=SYS10 - 1);(=SYS10 - 3)	2	Double-level terminal block PTTBS 2,5	3209604	Phoenix Contact PAX	
-X1 (=SYS10 - 1)	1	End clamp CLIPFIX 35-5	3022276	Phoenix Contact PAX	
-X1 (=SYS10 - 3)	1	End cover D-STTBS 2,5	3038503	Phoenix Contact PAX	
-X25 (=SYS13 - 1);(=SYS13 - 3);(=SYS13 - 4);(=SYS14 - 0)	6	Double-level terminal block PTTBS 2,5	3209604	Phoenix Contact PAX	
-X25 (=SYS13 - 1)	1	End clamp CLIPFIX 35-5	3022276	Phoenix Contact PAX	
-X25 (=SYS14 - 0)	1	End cover D-STTBS 2,5	3038503	Phoenix Contact PAX	
-X26;=SYS+CAB1-X26 (=SYS14 - 1);(=SYS14 - 2);(=SYS14 - 3);(=SYS14 - 4);(=SYS14 - 5);(=SYS14 - 6);(=SYS14 - 7)	14	Double-level terminal block PTTBS 2,5	3209604	Phoenix Contact PAX	
-X26 (=SYS14 - 1)	1	End clamp CLIPFIX 35-5	3022276	Phoenix Contact PAX	
=SYS+CAB1-X26	1	End cover D-STTBS 2,5	3038503	Phoenix Contact PAX	
-X50 (=SYS18 - 5);(=SYS18 - 7);(=SYS18 - 8)	3	Double-level terminal block PTTBS 2,5	3209604	Phoenix Contact PAX	
-X50 (=SYS18 - 5)	1	End clamp CLIPFIX 35-5	3022276	Phoenix Contact PAX	
-X50 (=SYS18 - 8)	1	End cover D-STTBS 2,5	3038503	Phoenix Contact PAX	
-X51;=SYS+CAB1-X51 (=SYS18 - 2);(=SYS18 - 3);(=SYS18 - 6)	4	Double-level terminal block PTTBS 2,5	3209604	Phoenix Contact PAX	
-X51 (=SYS18 - 2)	1	End clamp CLIPFIX 35-5	3022276	Phoenix Contact PAX	
=SYS+CAB1-X51	1	End cover D-STTBS 2,5	3038503	Phoenix Contact PAX	

Rev D	2022-01-17	Michael Goidin	Date	2022-02-28
Rev C	2021-11-30	Michael Goidin	Created by	Michael Goidin
Rev B	2021-10-27	Michael Goidin	Approved by	
Modification	Date	Name	Revision	Rev D

Palletizing



Parts list : PXC.1401348 - PXC.3038503

Parts list

Device tag Placement	Qty	Designation	Order number	Manufacturer Supplier	ERP number Function text
-X100 (CAB1.S1)	1	IEC Appliance Inlet C20 Power Entry Connector Receptacle	4798.9200	Schurter Inc DGY	
-X101 (=SYS10 - 1)	1	Stripped cordset 16A 3.0m, V-Lock VAC19KS	6051.2109	Schurter Inc DGY	
-X110 (=SYS18 - 2)	1	Flush-type connector SACC-DSI-M12FS-8CON-M16/0,5	1419690	Phoenix Contact PAX	X-450008
-XE (=SYS10 - 1);(=SYS13 - 1)	2	Ground modular terminal block PT 2,5-QUATTRO-PE	3209594	Phoenix Contact PAX	
-XE (=SYS10 - 1)	1	End clamp CLIPFIX 35-5	3022276	Phoenix Contact PAX	
-XE (=SYS13 - 1)	1	End cover D-ST 2,5-QUATTRO	3030514	Phoenix Contact PAX	

Rev D	2022-01-17	Michael Goidin	Date	2022-02-28
Rev C	2021-11-30	Michael Goidin	Created by	Michael Goidin
Rev B	2021-10-27	Michael Goidin	Approved by	
Modification	Date	Name	Revision	Rev D

Summarized parts list

Summarized Parts List Robotiq

Manufacturer	ERP number	Order number	Designation	Type number	Quantity	DT
Schurter Inc		6051.2109	Stripped cordset 16A 3.0m, V-Lock	VAC19KS	1	-X101
Siemens		6ES7214-1AG40-0XB0	CPU 1214C, DC/DC/DC, 14DI/10DO/2AI	6ES7214-1AG40-0XB0	1	-K1
Siemens		3LD2103-0TK53	EM. STOP SWITCH 25A/690V 400V/9.5KW	3LD2103-0TK53	1	-Q1
Siemens	X-440001	3SU1050-0AB60-0AA0	PUSHBUTTON, WHITE	3SU1050-0AB60-0AA0	1	-S10
Siemens	X-450001	3SU1550-0AA10-0AA0	HOLDER	3SU1550-0AA10-0AA0	3	-S10...-S12
Siemens	X-450002	3SU1400-1AA10-1BA0	CONTACT MODULE 1NO	3SU1400-1AA10-1BA0	2	-S10;-S12
Siemens	X-440002	3SU1050-0AB10-0AA0	PUSHBUTTON, BLACK	3SU1050-0AB10-0AA0	1	-S11
Siemens	X-450009	3SU1400-1AA10-1CA0	CONTACT MODULE 1NC	3SU1400-1AA10-1CA0	1	-S11
Siemens	X-440003	3SU1051-0AB50-0AA0	ILLUMINATED PUSHBUTTON, BLUE	3SU1051-0AB50-0AA0	1	-S12
Siemens	X-450003	3SU1401-1BB50-1AA0	LED MODULE, BLUE	3SU1401-1BB50-1AA0	1	-S12
Siemens	X-450004	3SU1803-0AA00-0AB1	ENCLOSURE PLASTIC, 3 COMMAND POINTS	3SU1803-0AA00-0AB1	1	-U11
Icotek		48168	KEL-ER 16 8 / Cable entry frame, split, double row, IP65	KEL-ER 16 8	1	-U15
LAPP	X-450007	601805	ÖLFLEX 190 5G18AWG	ÖLFLEX® 190	2,00	-W103
Mc Master		95105A183	Resistant Rivet Nuts M6x1.0 Interior Thread, .7-4.2mm	Steel Twist-Resistant Rivet Nuts	16	-U15
Phoenix Contact		2907586	Circuit breaker TMC 82C 04A	TMC 82C 04A	1	-F1
Phoenix Contact		2907588	Circuit breaker TMC 82C 06A	TMC 82C 06A	1	-F2
Phoenix Contact		2909909	Electronic device circuit breaker	PTCB E1 24DC/1-3A NO	2	-F3;-F4
Phoenix Contact		3036932	Plug-in bridge	FBS 2-6 BU	1	-F3
Phoenix Contact		3030336	Plug-in bridge	FBS 2-6	1	-F3
Phoenix Contact		2903148	Power supply unit	TRIO-PS-2G/1AC/24DC/5	1	-T1
Phoenix Contact		1668108	Sensor/actuator cable	SAC-4P- 1,5-PUR/M12FS	2	-W50;-W60
Phoenix Contact		1669822	Sensor/actuator cable	SAC-5P- 1,5-PUR/M12FS	2	-W70;-W80

Rev D	2022-01-17	Michael Goidin	Date	2022-02-28
Rev C	2021-11-30	Michael Goidin	Created by	Michael Goidin
Rev B	2021-10-27	Michael Goidin	Approved by	
Modification	Date	Name	Revision	Rev D

Summarized parts list

Summarized Parts List Robotiq

Manufacturer	ERP number	Order number	Designation	Type number	Quantity	DT
Phoenix Contact	X-060893	1522697	Sensor/actuator cable	SAC-8P-M12MS/ 1,5-PUR/M12FS	1,50	-W100
Phoenix Contact	X-060894	1529179	Sensor/actuator cable	SAC-8P-M12MS/10,0-PUR/M12FS	1	-W101
Phoenix Contact		3209604	Double-level terminal block	PTTBS 2,5	29	-X1;-X25;-X26;-X50;-X51;=SYS+CAB1-X26 =SYS+CAB1-X51
Phoenix Contact		3022276	End clamp	CLIPFIX 35-5	6	-X1;-X25;-X26;-X50;-X51;-XE
Phoenix Contact		3038503	End cover	D-STTBS 2,5	5	-X1;-X25;-X50;=SYS+CAB1-X26 =SYS+CAB1-X51
Phoenix Contact	X-450008	1419690	Flush-type connector	SACC-DSI-M12FS-8CON-M16/0,5	1	-X110
Phoenix Contact		3209594	Ground modular terminal block	PT 2,5-QUATTRO-PE	2	-XE
Phoenix Contact		3030514	End cover	D-ST 2,5-QUATTRO	1	-XE
Phoenix Contact	X-060891	1403889	Sensor/actuator cable	SAC-5P-M12MS/10,0-PUR/M12FS	2	-W71;-W81
Phoenix Contact	X-060892	1694758	Sensor/actuator cable	SAC-5P-M12MS/2,0-PUR/M12FS	2	-W72;-W82
Phoenix Contact	X-450006	1411133	Cable gland	G-INS-M20-S68N-PNES-BK	1	-U11
Phoenix Contact	X-450010	1411215	Nut	A-INL-M20-P-BK	1	-U11
Phoenix Contact	X-060895	1401348	Sensor/actuator cable	SAC-8P-M12MS/ 2,0-PUR	1	-W102
Rittal		1244250	Compact enclosures WM	WM.1244250	1	-U10
Rittal		3237200	Outlet filter	SK.3237200	1	-U15
Rittal		2420000	Cam lock	SZ.2420000	1	-U15
Prime Cables		AT-C5-6WH	Ethernet cable Cat5e 6ft 350Mhz RJ45	ETH Cables Cat6 10ft	1	-W200
Robotiq	PAL-AE01	PAL-AE01	Stack Light Cable	Prefabricated Harness	2	-H1;-H2
Robotiq	PAL-AE02	PAL-AE02	Pallet Sensor Cable (M12 4P)	Prefabricated Harness	2	-W51;-W61
Robotiq	PAL-AE03	PAL-AE03	Pallet Sensor Cable (Sensor)	Prefabricated Harness	4	-W52;-W53;-W62;-W63
Robotiq	PAL-AE059	PAL-AE059	Start button symbol	Sticker	1	-U11
Robotiq	PAL-AE060	PAL-AE060	Stop button symbol	Sticker	1	-U11
Robotiq	PAL-AE061	PAL-AE061	Pallet button symbol	Sticker	1	-U11

Rev D	2022-01-17	Michael Goidin	Date	2022-02-28
Rev C	2021-11-30	Michael Goidin	Created by	Michael Goidin
Rev B	2021-10-27	Michael Goidin	Approved by	
Modification	Date	Name	Revision	Rev D

Terminal diagram

Function text	Cable name		Strip =SYS+CAB1-X26					Cable name		Page / column
	-W70	-W80	Target designation	Connection point	Terminal	Level	Jumper	Target designation	Connection point	
	SAC-5P-1,5-PUR/M12FS	SAC-5P-1,5-PUR/M12FS	-W70	1	1	2	•	-X12:3		(14 - 1)
				-X10:7	1	1	•	-W50	2	(13 - 3)
			WH	-W70	2	2	•		-X12:4	(14 - 2)
				-X10:8	2	1	•	-W50	4	(13 - 3)
			BU	-W70	3	3	•		-X12:5	(14 - 3)
				-X10:9	3	1	•	-W60	2	(13 - 4)
			BK	-W70	4	4	•		-X12:6	(14 - 3)
				-X10:10	4	1	•	-W60	4	(13 - 4)
			BN	-W80	1	5	•		-X12:7	(14 - 4)
				-X10:11	5	1	•	-X51	3:1	(13 - 4)
			WH	-W80	2	6	•		-X12:8	(14 - 5)
				-X10:12	6	1	•			(13 - 5)
			BU	-W80	3	7	•		-X12:9	(14 - 5)
				-X10:13	7	1	•			(13 - 5)
			BK	-W80	4	8	•		-X12:10	(14 - 6)
				-X10:14	8	1	•			(13 - 5)
				-X51	3:2	9	•		-X12:11	(14 - 7)
				-X10:15	9	1	•			(13 - 6)
					10	2	•		-X12:12	(14 - 7)
				-X10:16	10	1	•			(13 - 6)
					11	2	•			
				-X10:17	11	1	•			(13 - 7)
					12	2	•			
				-X10:18	12	1	•			(13 - 7)
					13	2	•			
				-X10:19	13	1	•			(13 - 7)
					14	2	•			
				-X10:20	14	1	•			(13 - 8)

Rev D	2022-01-17	Michael Goidin	Date	2022-02-28
Rev C	2021-11-30	Michael Goidin	Created by	Michael Goidin
Rev B	2021-10-27	Michael Goidin	Approved by	
Modification	Date	Name	Revision	Rev D

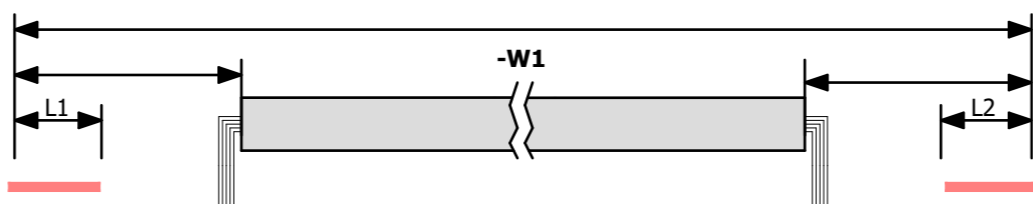
Terminal diagram

Function text	Cable name						Strip =SYS+CAB1-X51						Cable name						Page / column								
	Cable type						Target designation	Connection point	Terminal	Level	Jumper	Target designation	Connection point	Cable type													
						-X110	-X110	1	1	2	•	-24V	2														(18 - 2)
						WH	-X110	2	1	1	•	-CI0	1														(18 - 3)
						BN	-X110	3	2	2	•	-24V	1														(18 - 3)
						GN	-X110	4	2	1	•	-SI0	1														(18 - 4)
						YE	-X110	7	3	2	•	-X26	9:3														(18 - 6)
						BU	-X110	6	3	1	•	-X26	5:1														(18 - 5)
						PK			4	2	•																
									4	1	•																

Rev D	2022-01-17	Michael Goidin	Date	2022-02-28
Rev C	2021-11-30	Michael Goidin	Created by	Michael Goidin
Rev B	2021-10-27	Michael Goidin	Approved by	
Modification	Date	Name	Revision	Rev D

Cable name -W1
Cable type
Free conductors 0

Mounting location:	Source	Function text source	Stopper	L1 [mm]	Part number
Cabinet 1	-W1:L				

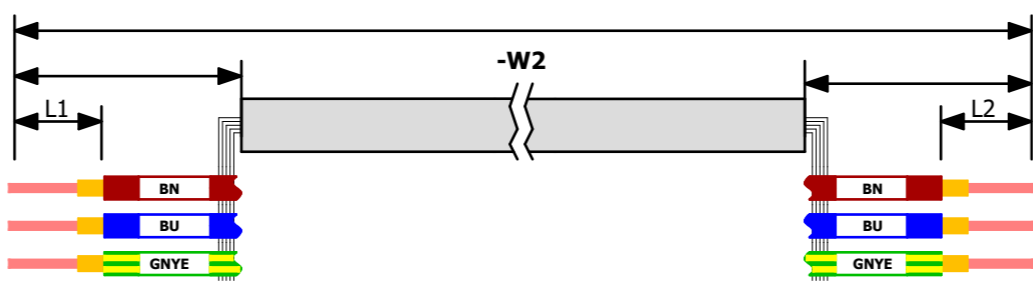


Cable parts
Order number

Part number	L2 [mm]	Stopper	Function text target	Target	Mounting location:
				-W1:N	Cabinet 1

Cable name -W2
Cable type
Free conductors 0

Mounting location:	Source	Function text source	Stopper	L1 [mm]	Part number
Cabinet 1	-F1				
Cabinet 1	-F1				
Cabinet 1	-XE:1:1				



Cable parts
Order number

Part number	L2 [mm]	Stopper	Function text target	Target	Mounting location:
				-X101:2	Cabinet 1
				-X101:1	Cabinet 1
				-X101:PE	Cabinet 1

Cable name -W50
Cable type SAC-4P- 1,5-PUR/M12FS
Free conductors 0

Mounting location:	Source	Function text source	Stopper	L1 [mm]	Part number
Cabinet 1	-X26:2:1				
Cabinet 1	-X25:2:3				
Cabinet 1	-X25:3:3				
Cabinet 1	-X26:1:1				

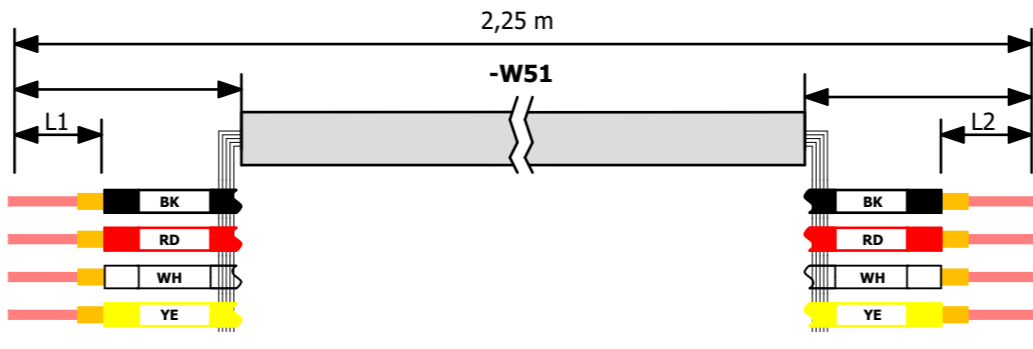


Cable parts PXC.1668108
Order number 1668108

Part number	L2 [mm]	Stopper	Function text target	Target	Mounting location:
				-W50:4	Cabinet 1
				-W50:1	Cabinet 1
				-W50:3	Cabinet 1
				-W50:2	Cabinet 1

Cable name -W51
Cable type Prefabricated Harness
Free conductors 0

Mounting location:	Source	Function text source	Stopper	L1 [mm]	Part number
	-W51B:2				
	-W51A:1				
	-W51A:2				
	-W51B:1				



Cable parts ROB.PAL-AE02
Order number PAL-AE02

Part number	L2 [mm]	Stopper	Function text target	Target	Mounting location:
				-W51:4	
				-W51:1	
				-W51:2	
				-W51:3	

Rev D	2022-01-17	Michael Goidin	Date	2022-02-28
Rev C	2021-11-30	Michael Goidin	Created by	Michael Goidin
Rev B	2021-10-27	Michael Goidin	Approved by	
Modification	Date	Name	Revision	Rev D

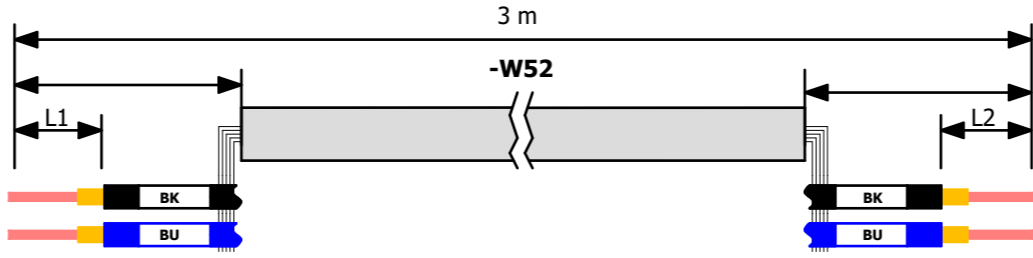
Palletizing



Cable diagram:W1 :W2 :W50 :W51

Cable name -W52
Cable type Prefabricated Harness
Free conductors 0

Mounting location:	Source	Function text source	Stopper	L1 [mm]	Part number
	-W52:1				
	-W52:2				

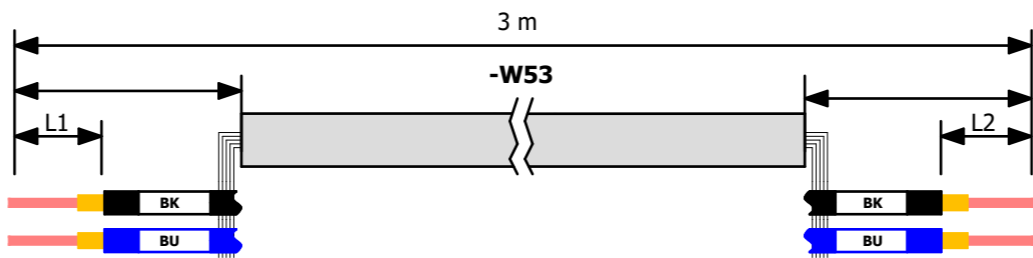


Cable parts ROB.PAL-AE03
Order number PAL-AE03

Part number	L2 [mm]	Stopper	Function text target	Target	Mounting location:
					-S1:13
					-S1:14

Cable name -W53
Cable type Prefabricated Harness
Free conductors 0

Mounting location:	Source	Function text source	Stopper	L1 [mm]	Part number
	-W53:1				
	-W53:2				

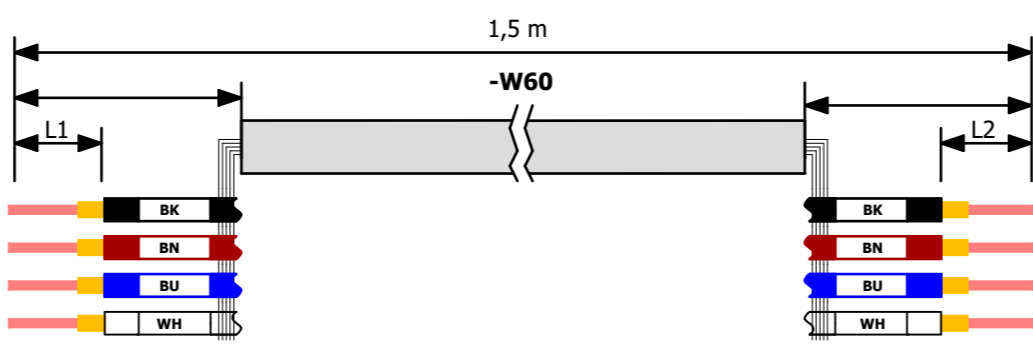


Cable parts ROB.PAL-AE03
Order number PAL-AE03

Part number	L2 [mm]	Stopper	Function text target	Target	Mounting location:
					-S2:13
					-S2:14

Cable name -W60
Cable type SAC-4P- 1,5-PUR/M12FS
Free conductors 0

Mounting location:	Source	Function text source	Stopper	L1 [mm]	Part number
<i>Cabinet 1</i>	-X26:4:1				
<i>Cabinet 1</i>	-X25:4:3				
<i>Cabinet 1</i>	-X25:5:3				
<i>Cabinet 1</i>	-X26:3:1				



Cable parts PXC.1668108
Order number 1668108

Part number	L2 [mm]	Stopper	Function text target	Target	Mounting location:
					-W60:4 <i>Cabinet 1</i>
					-W60:1 <i>Cabinet 1</i>
					-W60:3 <i>Cabinet 1</i>
					-W60:2 <i>Cabinet 1</i>

Cable name -W61
Cable type Prefabricated Harness
Free conductors 0

Mounting location:	Source	Function text source	Stopper	L1 [mm]	Part number
	-W61B:2				
	-W61A:1				
	-W61A:2				
	-W61B:1				



Cable parts ROB.PAL-AE02
Order number PAL-AE02

Part number	L2 [mm]	Stopper	Function text target	Target	Mounting location:
					-W61:4
					-W61:1
					-W61:2
					-W61:3

Rev D	2022-01-17	Michael Goidin	Date	2022-02-28
Rev C	2021-11-30	Michael Goidin	Created by	Michael Goidin
Rev B	2021-10-27	Michael Goidin	Approved by	
Modification	Date	Name	Revision	Rev D

Palletizing

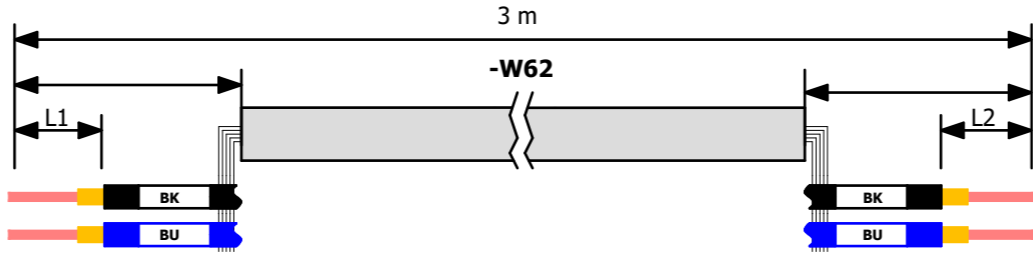


Cable diagram:W52 :W53 :W60 :W61

Cable name -W62
Cable type Prefabricated Harness
Free conductors 0

Cable parts ROB.PAL-AE03
Order number PAL-AE03

Mounting location:	Source	Function text source	Stopper	L1 [mm]	Part number
	-W62:1				
	-W52:2				

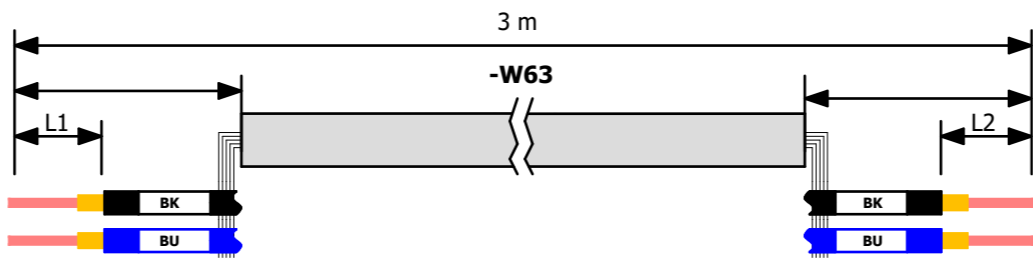


Part number	L2 [mm]	Stopper	Function text target	Target	Mounting location:
				-S3:13	
				-S3:14	

Cable name -W63
Cable type Prefabricated Harness
Free conductors 0

Cable parts ROB.PAL-AE03
Order number PAL-AE03

Mounting location:	Source	Function text source	Stopper	L1 [mm]	Part number
	-W63:1				
	-W53:2				

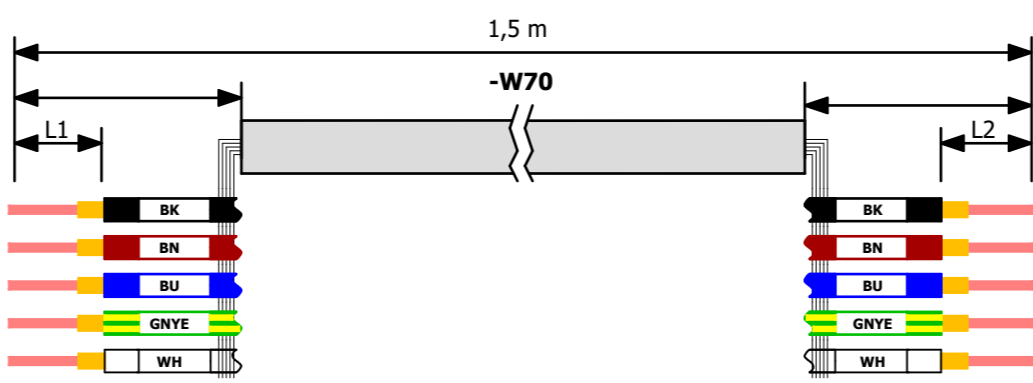


Part number	L2 [mm]	Stopper	Function text target	Target	Mounting location:
				-S4:13	
				-S4:14	

Cable name -W70
Cable type SAC-5P- 1,5-PUR/M12FS
Free conductors 0

Cable parts PXC.1669822
Order number 1669822

Mounting location:	Source	Function text source	Stopper	L1 [mm]	Part number
<i>Cabinet 1</i>	-W70:4				
<i>Cabinet 1</i>	-W70:1				
<i>Cabinet 1</i>	-W70:3				
<i>Cabinet 1</i>	-W70:5				
<i>Cabinet 1</i>	-W70:2				

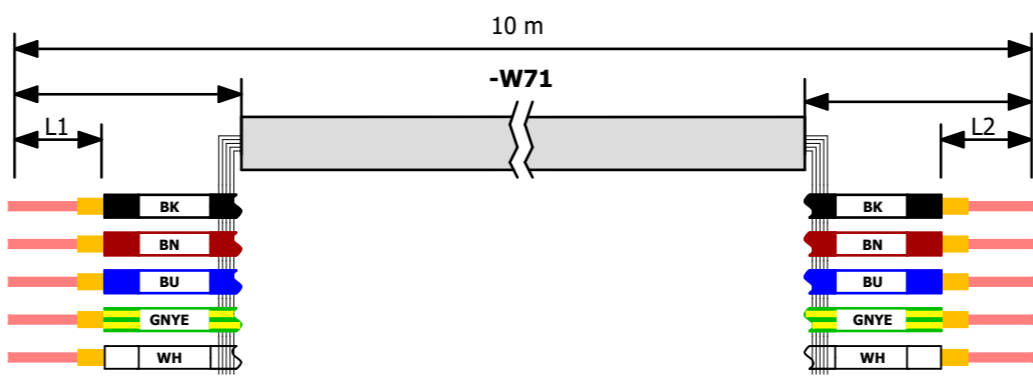


Part number	L2 [mm]	Stopper	Function text target	Target	Mounting location:
				-X26:4:3	<i>Cabinet 1</i>
				-X26:1:3	<i>Cabinet 1</i>
				-X26:3:3	<i>Cabinet 1</i>
				-X25:5:1	<i>Cabinet 1</i>
				-X26:2:3	<i>Cabinet 1</i>

Cable name -W71
Cable type SAC-5P-M12MS/10,0-PUR/M12FS
Free conductors 0

Cable parts PXC.1403889
Order number 1403889

Mounting location:	Source	Function text source	Stopper	L1 [mm]	Part number
	-W71:4				
	-W71:1				
	-W71:3				
	-W71:5				
	-W71:2				



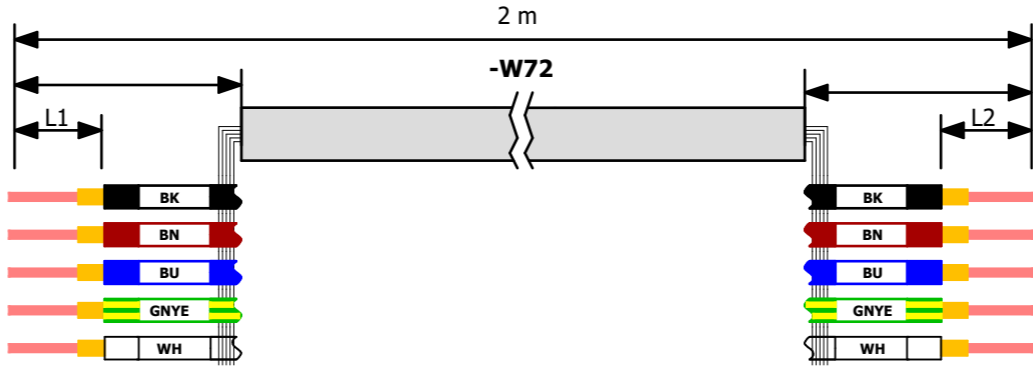
Part number	L2 [mm]	Stopper	Function text target	Target	Mounting location:
				-W71:4	
				-W71:1	
				-W71:3	
				-W71:5	
				-W71:2	

Rev D	2022-01-17	Michael Goidin	Date	2022-02-28
Rev C	2021-11-30	Michael Goidin	Created by	Michael Goidin
Rev B	2021-10-27	Michael Goidin	Approved by	
Modification	Date	Name	Revision	Rev D

Cable name -W72
Cable type SAC-5P-M12MS/2,0-PUR/M12FS
Free conductors 0

Cable parts PXC.1694758
Order number 1694758

Mounting location:	Source	Function text source	Stopper	L1 [mm]	Part number
	-W72:4				
	-W72:1				
	-W72:3				
	-W72:5				
	-W72:2				

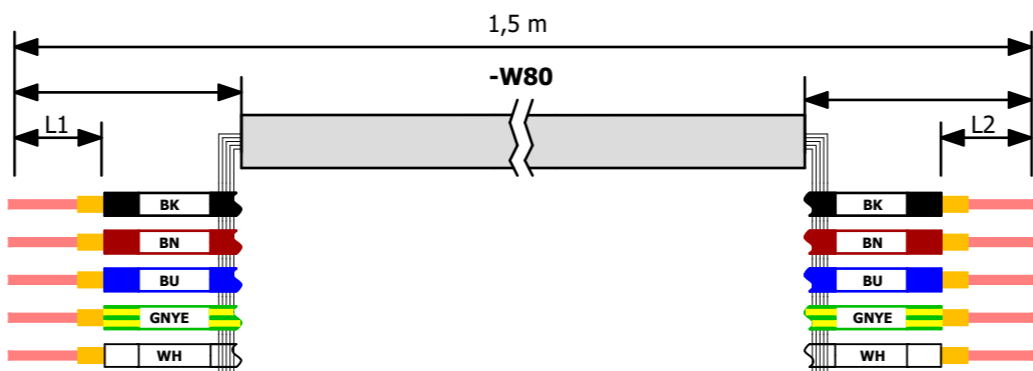


Part number	L2 [mm]	Stopper	Function text target	Target	Mounting location:
					-W72:4
					-W72:1
					-W72:3
					-W72:5
					-W72:2

Cable name -W80
Cable type SAC-5P- 1,5-PUR/M12FS
Free conductors 0

Cable parts PXC.1669822
Order number 1669822

Mounting location:	Source	Function text source	Stopper	L1 [mm]	Part number
Cabinet 1	-W80:4				
Cabinet 1	-W80:1				
Cabinet 1	-W80:3				
Cabinet 1	-W80:5				
Cabinet 1	-W80:2				

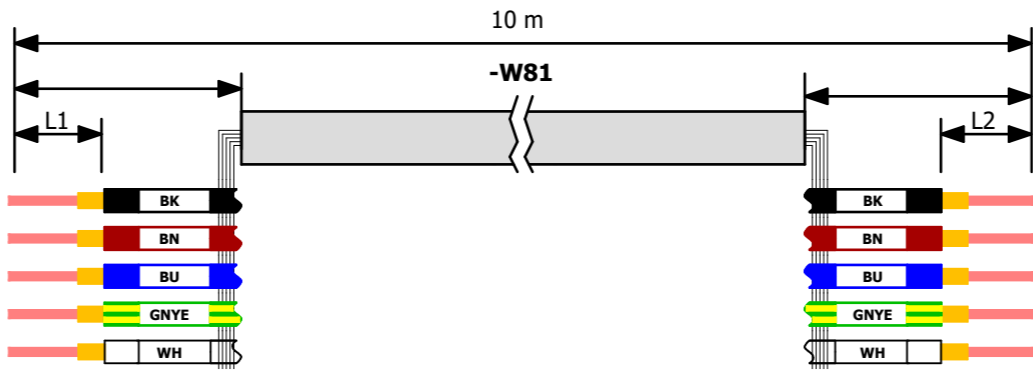


Part number	L2 [mm]	Stopper	Function text target	Target	Mounting location:
					-X26:8:3 Cabinet 1
					-X26:5:3 Cabinet 1
					-X26:7:3 Cabinet 1
					-X25:6:1 Cabinet 1
					-X26:6:3 Cabinet 1

Cable name -W81
Cable type SAC-5P-M12MS/10,0-PUR/M12FS
Free conductors 0

Cable parts PXC.1403889
Order number 1403889

Mounting location:	Source	Function text source	Stopper	L1 [mm]	Part number
	-W81:4				
	-W81:1				
	-W81:3				
	-W81:5				
	-W81:2				

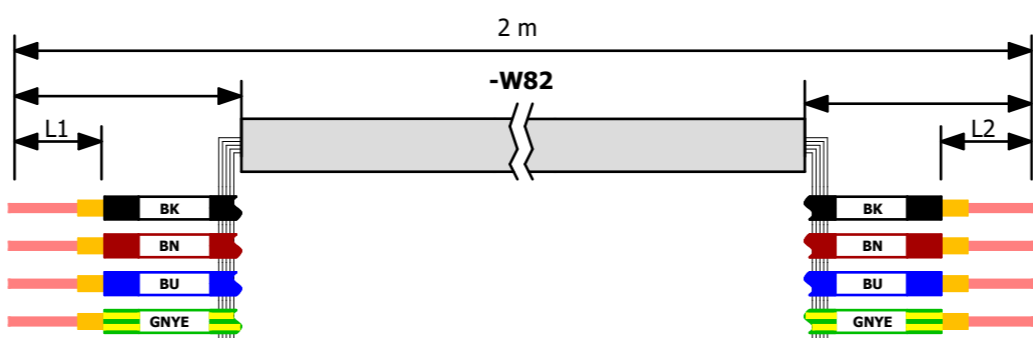


Part number	L2 [mm]	Stopper	Function text target	Target	Mounting location:
					-W81:4
					-W81:1
					-W81:3
					-W81:5
					-W81:2

Cable name -W82
Cable type SAC-5P-M12MS/2,0-PUR/M12FS
Free conductors 0

Cable parts PXC.1694758
Order number 1694758

Mounting location:	Source	Function text source	Stopper	L1 [mm]	Part number
	-W82:4				
	-W82:1				
	-W82:3				
	-W82:5				

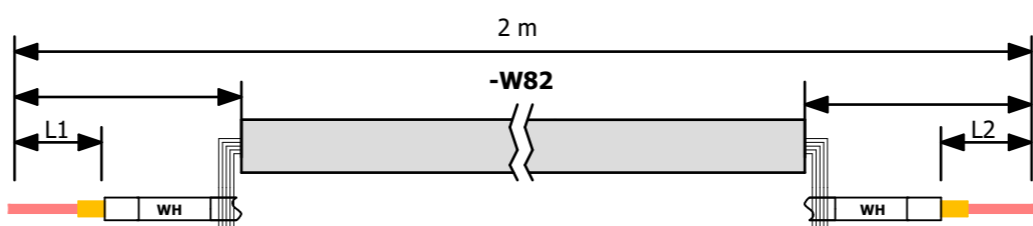


Part number	L2 [mm]	Stopper	Function text target	Target	Mounting location:
					-W82:4
					-W82:1
					-W82:3
					-W82:5

Rev D	2022-01-17	Michael Goidin	Date	2022-02-28
Rev C	2021-11-30	Michael Goidin	Created by	Michael Goidin
Rev B	2021-10-27	Michael Goidin	Approved by	
Modification	Date	Name	Revision	Rev D

Cable name -W82
Cable type SAC-5P-M12MS/2,0-PUR/M12FS
Free conductors 0

Mounting location:	Source	Function text source	Stopper	L1 [mm]	Part number
	-W82:2				

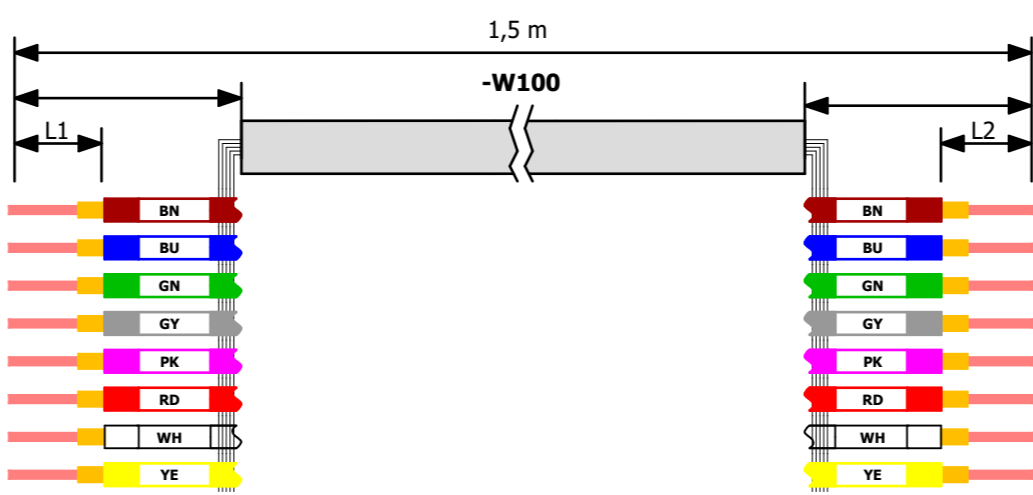


Cable parts PXC.1694758
Order number 1694758

Part number	L2 [mm]	Stopper	Function text target	Target	Mounting location:
					-W82:2

Cable name -W100
Cable type SAC-8P-M12MS/ 1,5-PUR/M12FS
Free conductors 0

Mounting location:	Source	Function text source	Stopper	L1 [mm]	Part number
Cabinet 1	-W100:2				
Cabinet 1	-W100:7				
Cabinet 1	-W100:3				
Cabinet 1	-W100:5				
Cabinet 1	-W100:6				
Cabinet 1	-W100:8				
Cabinet 1	-W100:1				
Cabinet 1	-W100:4				

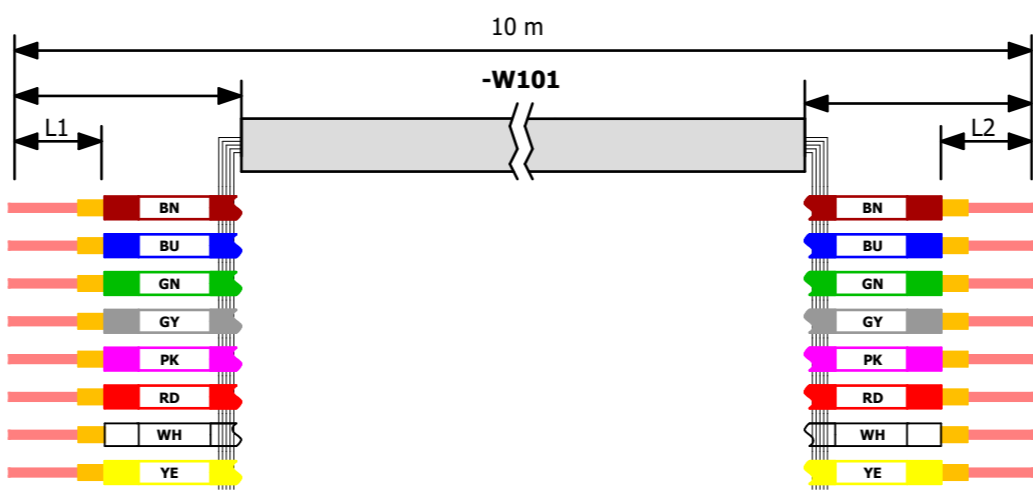


Cable parts PXC.1522697
Order number 1522697

Part number	L2 [mm]	Stopper	Function text target	Target	Mounting location:
				-W100:2	Cabinet 1
				-W100:7	Cabinet 1
				-W100:3	Cabinet 1
				-W100:5	Cabinet 1
				-W100:6	Cabinet 1
				-W100:8	Cabinet 1
				-W100:1	Cabinet 1
				-W100:4	Cabinet 1

Cable name -W101
Cable type SAC-8P-M12MS/10,0-PUR/M12FS
Free conductors 0

Mounting location:	Source	Function text source	Stopper	L1 [mm]	Part number
Cabinet 1	-W101:2				
Cabinet 1	-W101:7				
Cabinet 1	-W101:3				
Cabinet 1	-W101:5				
Cabinet 1	-W101:6				
Cabinet 1	-W101:8				
Cabinet 1	-W101:1				
Cabinet 1	-W101:4				



Cable parts PXC.1529179
Order number 1529179

Part number	L2 [mm]	Stopper	Function text target	Target	Mounting location:
				-W101:2	Cabinet 1
				-W101:7	Cabinet 1
				-W101:3	Cabinet 1
				-W101:5	Cabinet 1
				-W101:6	Cabinet 1
				-W101:8	Cabinet 1
				-W101:1	Cabinet 1
				-W101:4	Cabinet 1

Rev D	2022-01-17	Michael Goidin	Date	2022-02-28
Rev C	2021-11-30	Michael Goidin	Created by	Michael Goidin
Rev B	2021-10-27	Michael Goidin	Approved by	
Modification	Date	Name	Revision	Rev D

Palletizing

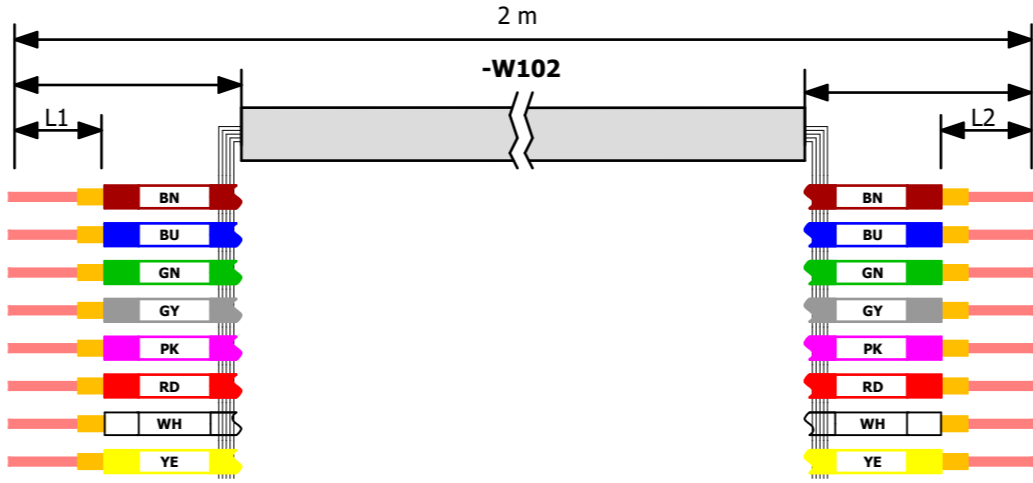


Cable diagram:W82 :W100 :W101

Cable name -W102
Cable type SAC-8P-M12MS/ 2,0-PUR
Free conductors 0

Cable parts PXC.1401348
Order number 1401348

Mounting location:	Source	Function text source	Stopper	L1 [mm]	Part number
	-W102:2				
	-W102:7				
	-W102:3				
	-W102:5				
	-W102:6				
	-W102:8				
	-W102:1				
	-W102:4				

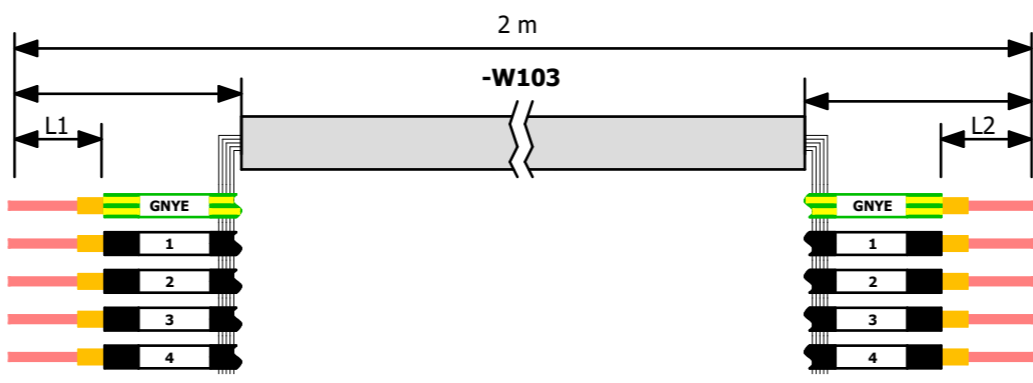


Part number	L2 [mm]	Stopper	Function text target	Target	Mounting location:
					-S10:4
					-S12:X1
					-S11:1
					-S12:3
					-S12:4
					-S12:X2
					-S10:3
					-S11:2

Cable name -W103
Cable type ÖLFLEX® 190
Free conductors 1

Cable parts LAPP.601805
Order number 601805

Mounting location:	Source	Function text source	Stopper	L1 [mm]	Part number
Cabinet 1	-X51:1:2				
Cabinet 1	-X51:1:1				
Cabinet 1	-X51:2:2				
Cabinet 1	-X51:2:1				

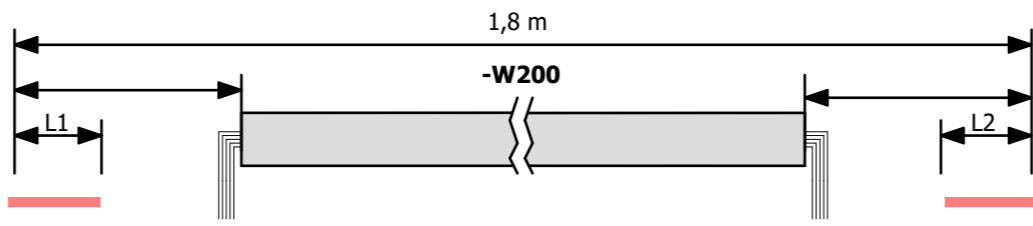


Part number	L2 [mm]	Stopper	Function text target	Target	Mounting location:
					+UR_Controller-24V:2
					+UR_Controller-CI0:1
					+UR_Controller-24V:1
					+UR_Controller-SI0:1

Cable name -W200
Cable type ETH Cables Cat6 10ft
Free conductors 0

Cable parts PRC.AT-C5-6WH
Order number AT-C5-6WH

Mounting location:	Source	Function text source	Stopper	L1 [mm]	Part number
Cabinet 1	-W200:1				



Part number	L2 [mm]	Stopper	Function text target	Target	Mounting location:
					-K1:X1P1 R

Rev D	2022-01-17	Michael Goidin	Date	2022-02-28
Rev C	2021-11-30	Michael Goidin	Created by	Michael Goidin
Rev B	2021-10-27	Michael Goidin	Approved by	
Modification	Date	Name	Revision	Rev D

Wires list

Connections List Robotiq

Connection	Target 1	Target 2	Color	Cross-section
1	=SYS-Q1:1	=SYS-X100:L	BK	2,5
2	=SYS-Q1:2	=SYS-X1:1:2	BK	2,5
3	=SYS-F1	=SYS-X1:1:3	BK	2,5
4	=SYS-Q1:3	=SYS-X100:N	RD	2,5
5	=SYS-Q1:4	=SYS-X1:1:1	RD	2,5
6	=SYS-F1	=SYS-X1:1:4	RD	2,5
7	=SYS-F2	=SYS-X1:2:3	BK	2,5
8	=SYS-F2	=SYS-T1:L/+	BK	2,5
9	=SYS-F2	=SYS-X1:2:4	RD	2,5
10	=SYS-F2	=SYS-T1:N/-	RD	2,5
11	=SYS-F3:1.1	=SYS-T1:+	BU	0,75
12	=SYS-F3:3.1	=SYS-T1:-	BU/WH	0,75
13	=SYS-F3:2.1	=SYS-X25:1:2	BU	0,75
16	=SYS-T1:-'	=SYS-X25:1:1	BU/WH	0,75
17	=SYS-F4:3.1	=SYS-X50:1:1	BU/WH	0,75
18	=SYS-F4:2.1	=SYS-X50:1:2	BU	0,75
20	=SYS-K1:-X10:1	=SYS-X25:1:3	BU	0,75
21	=SYS-K1:-X10:2	=SYS-X25:1:4	BU/WH	0,75
22	=SYS-K1:-X10:6	=SYS-X25:2:4	BU/WH	0,75
23	=SYS-K1:-X10:7	=SYS-X26:1:4	BU	0,75
24	=SYS-K1:-X10:8	=SYS-X26:2:4	BU	0,75
25	=SYS-K1:-X10:9	=SYS-X26:3:4	BU	0,75
26	=SYS-K1:-X10:10	=SYS-X26:4:4	BU	0,75
27	=SYS-X26:5:1	=SYS-X51:3:1	BU	0,75
28	=SYS-K1:-X10:11	=SYS-X26:5:4	BU	0,75
29	=SYS-K1:-X10:12	=SYS-X26:6:4	BU	0,75
30	=SYS-K1:-X10:13	=SYS-X26:7:4	BU	0,75
31	=SYS-K1:-X10:14	=SYS-X26:8:4	BU	0,75
32	=SYS-K1:-X10:15	=SYS-X26:9:4	BU	0,75

33	=SYS-K1:-X10:16	=SYS-X26:10:4	BU	0,75
34	=SYS-K1:-X10:17	=SYS-X26:11:4	BU	0,75
35	=SYS-K1:-X10:18	=SYS-X26:12:4	BU	0,75
36	=SYS-K1:-X10:19	=SYS-X26:13:4	BU	0,75
37	=SYS-K1:-X10:20	=SYS-X26:14:4	BU	0,75
38	=SYS-K1:-X11:1	=SYS-X25:3:4	BU/WH	0,75
39	=SYS-K1:-X12:1	=SYS-X25:6:2	BU	0,75
40	=SYS-K1:-X12:2	=SYS-X25:4:1	BU/WH	0,75
41	=SYS-K1:-X12:3	=SYS-X26:1:2	BU	0,75
42	=SYS-K1:-X12:4	=SYS-X26:2:2	BU	0,75
43	=SYS-K1:-X12:5	=SYS-X26:3:2	BU	0,75
44	=SYS-K1:-X12:6	=SYS-X26:4:2	BU	0,75
45	=SYS-K1:-X12:7	=SYS-X26:5:2	BU	0,75
46	=SYS-K1:-X12:8	=SYS-X26:6:2	BU	0,75
47	=SYS-K1:-X12:9	=SYS-X26:7:2	BU	0,75
48	=SYS-K1:-X12:10	=SYS-X26:8:2	BU	0,75
49	=SYS-K1:-X12:11	=SYS-X26:9:2	BU	0,75
50	=SYS-X26:9:3	=SYS-X51:3:2	BU	0,75
51	=SYS-K1:-X12:12	=SYS-X26:10:2	BU	0,75

305

Rev D	2022-01-17	Michael Goidin	Date	2022-02-28
Rev C	2021-11-30	Michael Goidin	Created by	Michael Goidin
Rev B	2021-10-27	Michael Goidin	Approved by	
Modification	Date	Name	Revision	Rev D

Palletizing

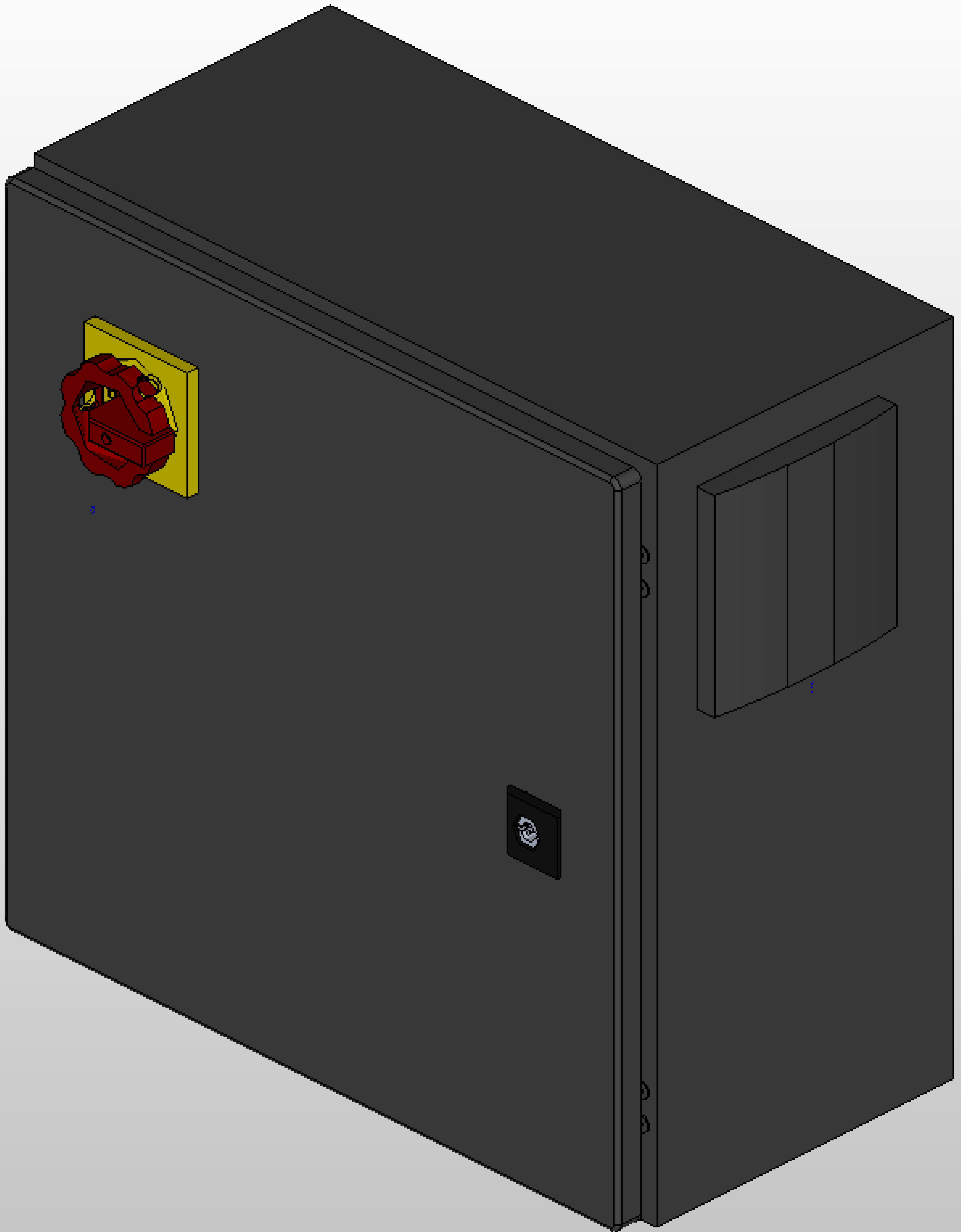


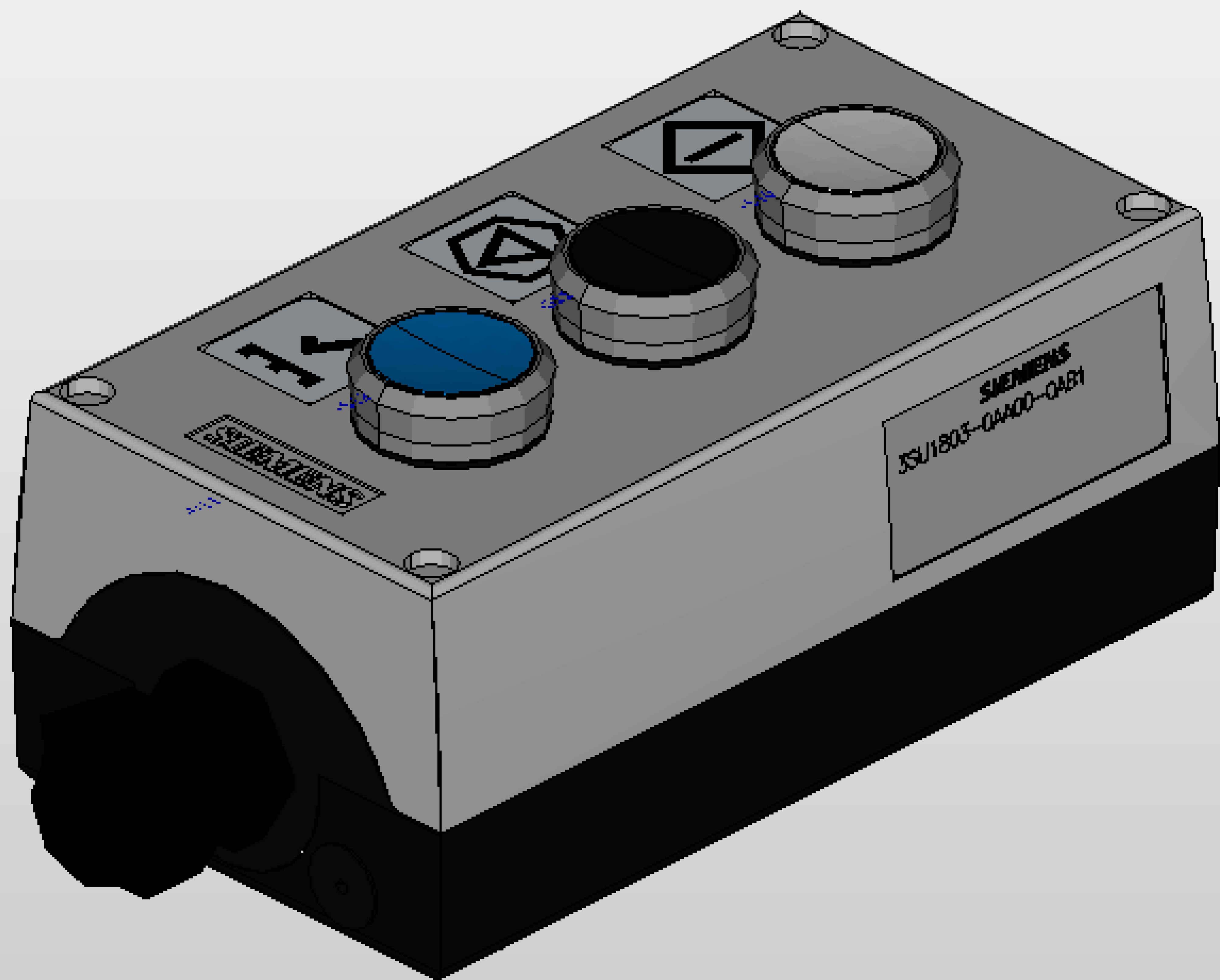
Connection list : 1 - 51

PAL-AE05

Folio 400

Page 43 / 43





SIEMENS

SIEMENS
3SU1803-0A400-0A81