




# INDUSTRIAL JIB CRANES

**SPANCO**<sup>®</sup> Inc.

Promise to perform.

# SPANCO JIB CRANES

## SELECTOR GUIDE

						
Jib Crane Type	Freestanding 100, 101, 102 Series	Mast-Style 200, 201 Series	Wall-Mounted 300, 301 Series	Articulating 400, 401, 402 Series	Enclosed-Track Workstation 500, 501 Series	Wall-Traveling
Key Features	Installs anywhere; high capacities	High capacities, no foundation	Requires no floor space or foundation	Reach around corners, columns, & into machinery	Fast & easy trolley movement; high productivity	Frees up large overhead cranes
Boom Rotation	360°	360°	200°	Wall-Mounted: 200° inner Arm & 360° Outer Arm Ceiling-Mounted & Freestanding: 360° on both arms	200° (Wall) or 360° (Freestanding)	N/A
Capacities:	Up to 15 tons	Up to 5 tons	Up to 5 tons	Up to 2,000 lbs	Up to 1,000 lbs	Custom
Spans:	Up to 50'	Up to 20'	Up to 30'	Up to 16'	Up to 16'	Custom
Beam Type	I-beam or Wide-Flange	I-beam or Wide-Flange	I-beam or Wide-Flange	Tubular Steel	Trussed Enclosed Track	Standard S-beam
HUB:* Standard; Custom	Up to 40'	Overall Height up to 40'	Determined by application	Freestanding up to 14'	Freestanding systems up to 12'	Custom
Motorized Rotation Options	Chain & Sprocket	Chain & Sprocket	Chain & Sprocket	N/A	N/A	Variable Frequency Drives
Foundation Requirements	Baseplate, Foundation, or Sleeve Insert	No	No	Baseplate (Freestanding)	Some require foundation	No
Key Options*	Air Piping; Electric Collector Rings or Air Swivel for continuous rotations	Full Cantilever or Drop Cantilever Models	Full Cantilever or Tie-Rod Models	Freestanding, Ceiling-Mounted, or Wall-Mounted	Freestanding, Portable Base, or Wall-Mounted	Voltage Options

\*Additional custom capacities, spans, and options available. Contact your local Spanco dealer or call us at 800-869-2080.

## WHY SPANCO?

- 1** We carry the widest selection of pre-engineered, ready-to-ship jib cranes in America.
- 2** We have the willingness and ability to custom engineer jib crane solutions for your unique applications. Our business model readily handles “one-of-a-kind” design challenges.
- 3** Our engineers do comprehensive finite element analysis and destructive testing on all one-of-a-kind custom designs.
- 4** All of our jib cranes — including custom engineered models — meet or exceed standards set by:
  - The Crane Manufacturers Association of America (CMAA)
  - The Occupational Safety and Health Administration (OSHA)
- 5** We deliver exceptional weld quality. Since our beginnings in 1979, all of our welders have been certified by the American Welding Society. In 2011, we earned AWS’s prestigious Certified Welding Fabricator (CWF) designation for our comprehensive quality management systems that oversee our welding fabrication.
- 6** Our laser precision manufacturing ensures you that your jib cranes will operate smoothly and precisely for years to come.
- 7** We’ve embraced ISO 9001:2008 systems, especially as a means to monitor the quality of our interactions with customers, dealers, and reps.
- 8** All system proposals begin with an on-site evaluation of your material handling needs and expert recommendations by our trained Spanco dealers.
- 9** We engineer and manufacture a full portfolio of workstation lifting solutions — from Jib Cranes to Bridge Cranes — so you can be assured that all of our system recommendations will be guided by your application’s best interests.
- 10** Our Jib Cranes are delivered on-time and in the most thought-out and protective packaging in the crane industry.
- 11** Our dealers provide continuous on-site technical support for all of our customers.
- 12** Our Jib Cranes are backed by the best warranty in the industry: a ten-year warranty for all manual systems and a one-year warranty on motorized systems.



*A 1-ton Spanco Freestanding Jib Crane used for shipping and assembly.*



*A Spanco worker in Las Vegas welding a jib mast.*



*Note: the video icon in this brochure means you can see this crane in action at [Spanco.com](http://Spanco.com)*

# SPANCO JIB CRANES

## TABLE OF CONTENTS

100 Series



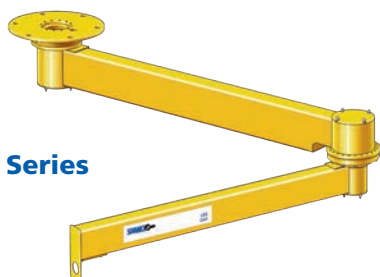
200 Series



300 Series



400 Series



### 2 Spanco® Jib Crane Selector Guide

### 3 Why Spanco?

### 6 Why Use Jib Cranes?

### 8 Freestanding Jib Cranes

Higher capacities and longer spans than wall-mounted cranes, these foundation-mounted cranes install almost anywhere.

### 12 Mast-Style Jib Cranes

360-degree boom rotation, either manual or motorized. Bolts to floor and building's steel beams, eliminating costly special foundations.

### 14 Wall-Mounted Jib Cranes

Require no floor space or foundation. Fold out of way of large overhead cranes. Unmatched clearance above and below the boom.

### 16 Articulating Jib Cranes

Lift and move loads around corners and columns. Reach into machinery. Mount onto floors, walls, or ceilings/bridge cranes.

**18 Enclosed Track Workstation Jib Cranes**

Easy, ergonomic lifting & transfer of repetitive loads. Small, agile cranes that are faster than I-beam models.



**500 Series**

**22 Wall-Traveling Jib Cranes**

For long lateral movement of materials without taking up any floor space or interfering with large overhead cranes.



**Wall-Traveling**

**24 Motorized Jib Cranes**

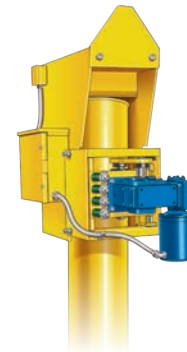
For heavy loads or hard-to-reach areas, motorize the rotation of your jib crane.



**Motorized Jib Cranes**

**25 Retrofit Drives for Jib Cranes**

Move heavy loads faster — convert your manual jib crane to motorized rotation.



**Retrofit Drives**

**25 Drive Control Panels**

**26 The Perfect Complement for Existing Overhead Cranes**

**27 Warranties**



**Drive Control Panels**

## WORKSTATION JIB CRANES

# WHY USE JIB CRANES

- **Lift and Transfer:** Spanco® Jib Cranes lift and transport materials in semi-circles (200 degrees) or full circles (360 degrees) around their support structure. Jib cranes can also be used to “hand off” materials to adjacent workstations or conveyors.
- **Hold Tools Where You Need Them:** manual and electric hoists, manipulators, balancers, welding wire feeders, and other tools can easily travel overhead on trolleys along the jib boom.
- **Maximize Your Space:** our wall-mounted models require no floor space. We offer models with unrivaled clearance, both above and under the boom.
- **Use What You Already Have:** on some designs, you can use your building’s existing columns or overhead beams to mount our jib cranes, saving you money.
- **Indoor/Outdoor:** our freestanding jibs can be weatherized for outdoor use.
- **Reach Anywhere:** our articulating jib cranes have booms with two sets of axes so they can reach around obstacles, such as columns or corners.
- **Complement Your Existing Cranes:** our jibs quickly fold out-of-the-way of large overhead cranes.
- **Versatile Capacities:** from 100 pounds to 15 tons, with hundreds of pre-engineered models.



*A Spanco 301 Series Wall-Mounted Drop-Cantilever Jib Crane.*

**A custom equipment manufacturer** servicing the coal and paper industries had up to 20 different jobs in progress were constantly juggled by two large overhead cranes. After a thorough review, their local distributor recommended a Spanco 301 Series Wall-Mounted Jib Crane for each work area. Now a single worker can lift and position loads up to 2 tons within a 200-degree semi-circular area, eliminating production bottlenecks. Plus, the jibs quickly fold out of the way of the overhead cranes.

## UNSURPASSED PRECISION CRANE QUALITY

### How to choose the right Jib Crane

- Boom Rotation: freestanding and mast-style jib cranes offer 360-degree rotation; wall mounted cranes offer 200-degree rotation; and articulating jib cranes provide either 200-degree rotation on the inner arm and 360-degree rotation on the outer arm (for wall or column-mounted articulating jibs) or 360-degree rotation on both arms for freestanding or ceiling/bridge-mounted systems.
- Height Under Boom (HUB): distance from the floor to the underside of the jib crane's boom. Also factor in the size of the hoist and the lift height needed.
- Overall Jib Crane Height: factor in any attachments, such as electrical entry, so the crane will be free from overhead obstructions.
- Actual Working Span Needed: distance from the floor to the underside of the jib crane's boom. Also factor in the size of the hoist and the lift height needed.
- Power Requirements: distance from the floor to the underside of the jib crane's boom. Also factor in the size of the hoist and the lift height needed.

### Design Factors

Spanco's design includes an allowance of 15% of nameplate capacity for dead weight of the trolley and hoist. An additional allowance of 25% of nameplate capacity is also included for impact.

- Nameplate bridge capacity represents the rated load on the hoist hook. The load rating of a hoist shall not exceed the bridge rating.

### Service Factors

All Spanco workstation cranes are designed for frequent usage as defined:

- System or equipment is used where operational time is up to 100% of the work period, and lifted load is at 50% or below rated capacity.
- System or equipment is used where operational time is less than 50% of work period, and lifted load is greater than 50% of rated capacity.
- Applications involving vacuums, magnets, or other high impact lifters are considered severe usage (continuous service) and require special design considerations. Please contact Spanco.
- Consult factory for usage other than moderate and all instances of high cycle rates or high impact applications.



*A 3-ton Spanco Freestanding Jib Crane replacing motors*



*A 500-pound Spanco Freestanding Articulating Jib Crane with a vacuum attachment for easy lifting.*

# JIB CRANES FREESTANDING

100, 101, 102 SERIES

# INSTALL HIGH-CAPACITY LIFTING ANYWHERE

**Spanco Freestanding Jib Cranes** install almost anywhere, including outside. These foundation-mounted, freestanding jibs offer higher capacities, longer spans, and greater rotation than our wall-mounted jib cranes.



**100 Series**  
Freestanding Jib Crane

## FREESTANDING JIB CRANE OPTIONS

- Electric Collector Rings or Air Swivel for continuous 360-degree boom rotation.
- Box track festooning
- Motorized Rotation
- Taglines
- Rotation stops
- Boom locks
- Special control enclosures available to match your environment.
- Specialty Paint Finishes or Hot-Dip Galvanizing available, as well as custom designs for outdoor applications.



360° Rotation

*A large 100 Series Freestanding Jib Crane that's been galvanized to protect against sea spray and a corrosive outdoor environment. The jib was installed to easily lift boats at a coastal marina.*

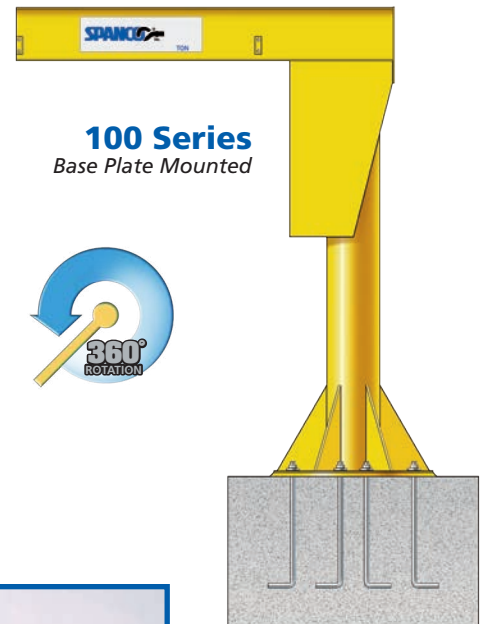


## SPANCO FREESTANDING JIB CRANES

Freestanding Jib Cranes	Boom Rotation	Capacities	Spans	Height Under Boom	Powered Rotation
<b>100 Series Base Plate Mounted</b>	360°	Up to 15 tons	Up to 50'	Up to 40' (Under Beam)	Available on new cranes & as retrofit (see page 24)
<b>101 Series Foundation Mounted</b>					
<b>102 Series Sleeve Insert Mounted</b>					

### 100 Series Freestanding Jib Cranes: Base Plate Mounted

- Easy to install.
- Base plate is secured by anchors bolts to a prescribed, reinforced concrete foundation.
- Six anchor bolts for masts less than 16 inches in diameter; Twelve bolts for diameters 16 inches or greater.
- The mast's connection to the hexagonal base plate is reinforced with six equally-spaced knee braces.
- Relocatable: entire crane, mast, and baseplate can be removed, leaving behind only the footer and anchor bolts.



*A 2-ton Spanco 100 Series Freestanding Jib Crane with a 50-foot span trussed boom. The crane is mounted to the existing structure of a coal plant on the Susquehanna River. It is used to replace large coils that are part of a steam duct system.*

# JIB CRANES FREESTANDING

101, 102 SERIES

# INSTALL HIGH-CAPACITY LIFTING ANYWHERE



**101 Series**  
Foundation Mounted



## 101 Series Freestanding Jib Cranes: Foundation Mounted

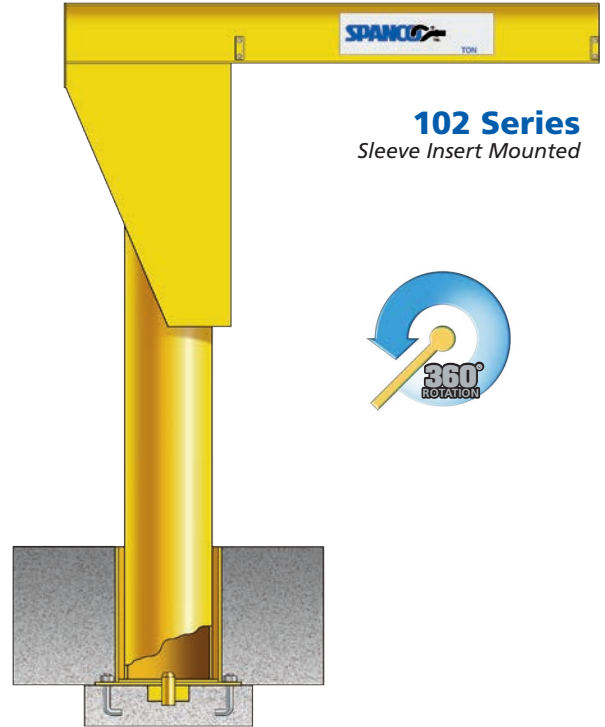
- Spacious: no knee braces, freeing up the area at the foot of the mast.
- Square steel plate comes welded to bottom of mast.
- The plate positions and plumbs the mast by anchoring it to the first-pour concrete footing.
- The second-pour supports the mast.



*A worker lifts parts into a metalworking machine using a 1/2-Ton Spanco 101 Series Freestanding Jib Crane.*

## 102 Series Freestanding Jib Cranes: Sleeve Insert Mounted

- Relocatable: sleeve insert allows for crane relocation without damaging the mast.
- Spacious: no knee braces, freeing up the area at foot of crane's mast.
- Sleeve is welded to a square steel plate; the plate positions and plumbs the sleeve by anchoring it to the first-pour concrete footing.
- The second-pour supports the sleeve.
- The mast is then placed into sleeve, leveled by wedges, and welded into place.



*A Spanco 102 Series Freestanding Jib Crane lifting solid metal bars weighing up to 1/2 ton.*

**JIB CRANES**  
**MAST-STYLE**  
200, 201 SERIES

# ELIMINATE COSTLY FOUNDATIONS



**200 Series**  
*Mast-Style Jib Crane*  
*Full Cantilever Design*

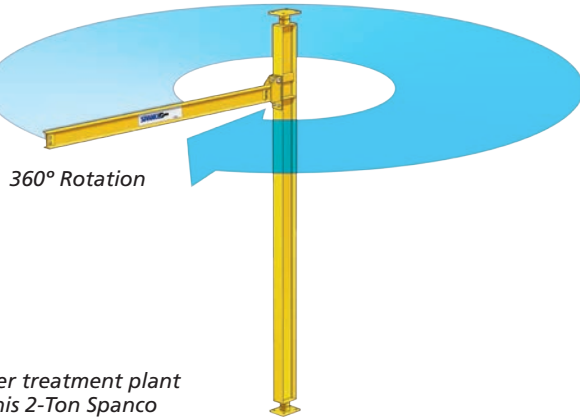
**Spanco Mast-Mounted Jib Cranes** provide full 360-degree rotation while eliminating the cost of a special foundation, which can cost more than the crane.

As a lower cost alternative to freestanding jib cranes, these full-feature mast-style cranes are:

- Bolted to the floor and existing overhead support structure (e.g., steel beams).
- Require no special mounting foundation, only a standard 6 inch reinforced concrete floor.
- Are available with power rotation on all new models.



**201 Series**  
*Mast-Style Jib Crane*  
*Drop-Cantilever Design*



*A water treatment plant uses this 2-Ton Spanco 200 Series Full-Cantilever Mast-Style Jib Crane at its receiving dock.*

## SPANCO MAST-STYLE JIB CRANES

Mast-Style Jib Cranes	Boom Rotation	Capacities	Spans	Overall Height (not HUB)	Powered Rotation
<b>200 Series Full Cantilever</b>	360°	Up to 5 tons	Up to 20'	Up to 40'	Available on new cranes
<b>201 Series Drop Cantilever</b>					

### MAST JIB FEATURES

- Uses an I-beam or wide-flange beam (depending on size & capacity) for the boom and an H-beam for the column.
- The top assembly includes self-aligning spherical bearings.
- The bottom assembly includes bronze bearings and bronze thrust washers.
- Both bearing assemblies are provided with grease fittings for self-lubrication and to aid rotation.

### OPTIONS FOR MAST-STYLE JIBS

- Festooning for air or electric power lines.
- Motorized Rotation
- Taglines
- Special Control Enclosures to match your environment
- Specialty paint finishes, hot-dip galvanizing, or custom designs for outdoor locations.



*Spanco 201 Series Mast-Style Drop-Cantilever Jib Cranes are similar to the 200 Series Full-Cantilever Jib Cranes, with the addition of side-plate connections to permanently "drop mount" the boom at a specified height on the mast. This allows for clearance from overhead obstructions located below the top of the mast.*



*Spanco 200 Series Mast-Style Full-Cantilever Jib Cranes: the cantilevered boom is mounted at the top of the crane's mast to provide maximum clearance beneath it.*



Watch a video of this crane in action at [Spanco.com](http://Spanco.com)

# JIB CRANES WALL-MOUNTED 300, 301 SERIES

## SIMPLE, EFFECTIVE, AFFORDABLE LIFTING



**300 Series**  
Wall-Mounted Jib Crane  
Cantilever

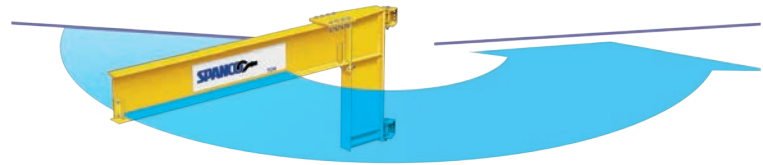
**Spanco Wall-Mounted Jib Cranes** require no floor space and no special foundations. They quickly fold out of the way of large overhead cranes.

### 300 Series Wall-Mounted Jib Cranes: Cantilever Design

- Our Wall-Mounted Cantilever Jib Cranes offer the greatest amount of clearance, both under and above the boom
- Full-Cantilever design
- Transmits less direct force to building column than tie-rod supported jibs.



**301 Series**  
Wall-Mounted Jib Crane  
Tie-Rod Supported



### 301 Series Wall Mounted Jib Cranes: Tie-Rod Supported

- Our most economical crane, the Wall-Mounted Tie-Rod Supported Jib Crane has no support structure under the boom, so a trolley hoist can travel nearly the full length of the boom.
- The design uses wall brackets with a tie-rod supported boom.
- Engineered with a standard I-beam and single tie rod to eliminate off-center loading problems.



*At this plant, four ¼-ton Spanco 300 Series Wall-Mounted Jib Cranes load and unload materials from a production bench. They can also transfer goods to adjacent cranes' coverage areas.*

## SPANCO WALL-MOUNTED JIB CRANES

Wall-Mounted Jib Cranes	Boom Rotation	Capacities	Spans	Height Under Boom	Powered Rotation
<b>300 Series Cantilever</b>	200°	Up to 5 tons	Up to 30'	Determined by Application	Available on new cranes
<b>301 Series Tie-Rod Supported</b>					

### JIB CRANE DIY KIT OPTIONS

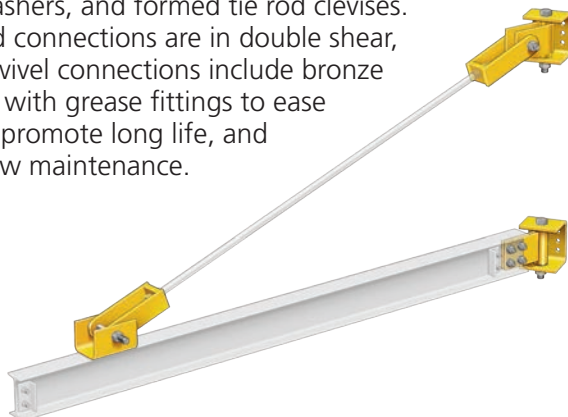
#### Wall Cantilever 300 Kits

Customers can fabricate their own Wall-Cantilever Jib Crane using the hinge components supplied by us. We provide all the hardware for bolting the hinges to the jib.



#### Wall Bracket 301 Kits

Wall Bracket Kits include all components except the I-beam, tie rod, and mounting hardware. Top and bottom wall brackets utilize a formed steel channel, with two bronze bushings, bronze thrust washers, and formed tie rod clevises. All bolted connections are in double shear, and all swivel connections include bronze bushings with grease fittings to ease rotation, promote long life, and ensure low maintenance.

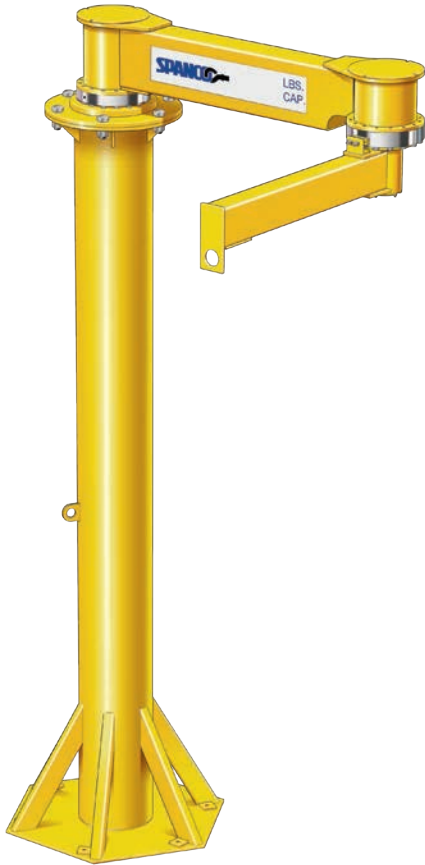


*Spanco Wall-Mounted Jib Cranes easily fold out of the way of larger overhead cranes for a flexible workflow.*

# JIB CRANES ARTICULATING

400, 401, 402 SERIES

## EASILY REACH MORE PLACES

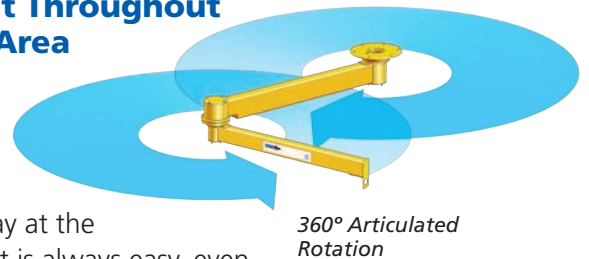


**402 Series**  
Articulating Jib Crane  
Freestanding

**Spanco Articulating Jib Cranes** can lift and precisely place loads around corners and columns, reaching into or under machinery and containers. They can even lift items through doorways (for example, into a paint booth) or deep into equipment under construction or repair. These jib cranes support nearly any type of manipulator, balancer, or hoist.

### Effortless Movement Throughout Its Entire Coverage Area

Traditional jibs have greater resistance when loads are on the inner half of the boom. But with our articulating cranes, loads stay at the end of the crane. Movement is always easy, even when positioning loads near the base of the crane's mast. So, workers maintain their speed and productivity, and all of the crane's coverage area can be fully utilized.



360° Articulated  
Rotation

### The Industry's Best Headroom

Spanco Articulating Jib Cranes offer more headroom above and below the boom than any other brand of articulating jib cranes. Their outstanding headroom permits installation in tight locations.

### Totally Internal Air Piping

Spanco is the only manufacturer to offer internally piped air power for articulating jib cranes. Eliminate additional clutter and wear-and-tear without the use of cable/hose festooning.

*This 500-Pound Spanco Freestanding Articulating Jib Crane includes a custom-engineered, inverted knuckle boom to provide additional headroom.*





## SPANCO ARTICULATING JIB CRANES

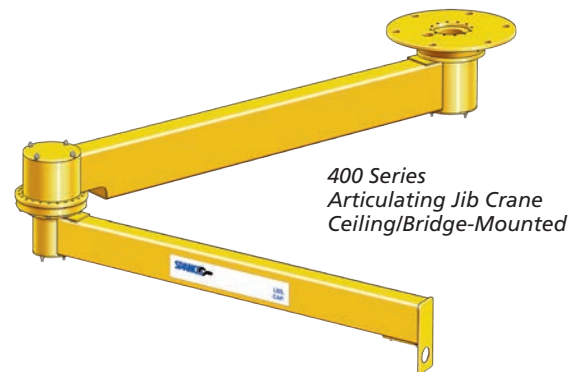
Articulating Jib Cranes	Boom Rotation	Capacities	Spans	Height Under Boom	Powered Rotation
<b>400 Series Ceiling/Bridge Mounted</b>	360° Both arms	Up to 2000 lbs	Up to 16'	Up to 14' (Freestanding 402 Series)	N/A
<b>401 Series Wall-Mounted</b>	200° Inner arm 360° Outer arm				
<b>402 Series Freestanding</b>	360° Both arms				

### ARTICULATING JIB CRANES IN 3 DESIGNS

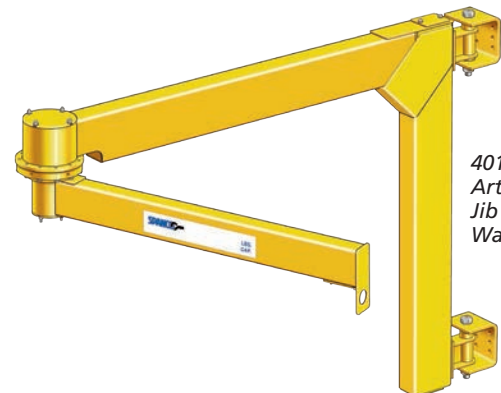
- Freestanding (floor-mounts to reinforced concrete foundation).
- Ceiling-Mounted or Bridge-Crane Mounted to further extend the crane's coverage area.
- Wall-Mounted or Column-Mounted for individual work areas or to accommodate existing overhead cranes.

### OPTIONS FOR ARTICULATING JIB CRANES

- Electrification to any device supported on the end of the boom.
- Compressed air power delivered via internal piping within the articulating boom.
- Support for vacuum lifters.



400 Series  
Articulating Jib Crane  
Ceiling/Bridge-Mounted



401 Series  
Articulating Jib Crane  
Wall-Mounted

*This Articulating Jib Crane from Spanco travels along an overhead bridge crane to allow one worker to lift sheetrock off multiple stacks spread over a large area. The 500-pound capacity jib crane is fitted with a 250-pound capacity vacuum lifter.*



Watch a video of this crane in action at [Spanco.com](http://Spanco.com)

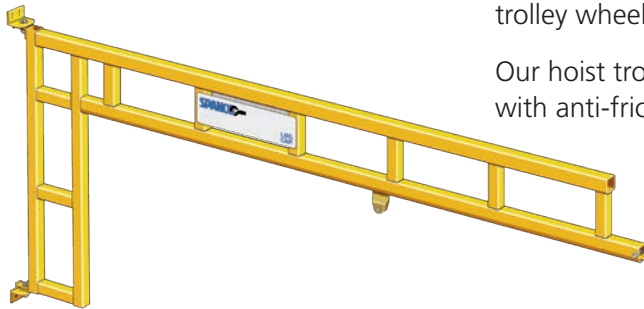
# JIB CRANES ENCLOSED-TRACK WORKSTATION

500, 501 SERIES



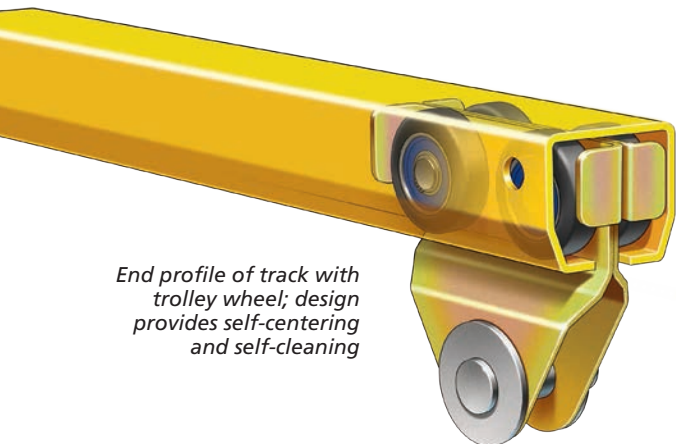
## 500 Series

*Freestanding  
Enclosed-Track  
Workstation Jib Crane*



## 501 Series

*Wall-Mounted  
Enclosed-Track  
Workstation Jib Crane*



*End profile of track with  
trolley wheel; design  
provides self-centering  
and self-cleaning*

## ERGONOMIC JIB CRANES FOR QUICK PRODUCTION

**Spanco Workstation Jib Cranes** offer easy, fast, ergonomic lifting and transfer of repetitive loads. Featuring lightweight booms, these agile cranes are easy to start and stop, faster to rotate than I-beam cranes, and offer excellent return on investment.

At the heart of our Workstation Jib Cranes are our smooth-running enclosed track and trolleys. The self-cleaning track prevents dust, debris, or ice from accumulating, while its V-shaped profile ensures accurate trolley wheel alignment to minimize friction and wear.

Our hoist trolleys have large diameter, polyamide wheels with anti-friction ball bearings.

### ENCLOSED TRACK OPTIONS:

- Steel Track: rolled from ASTM A572, A607, or A715 grade steel; available with enamel, powder, epoxy, or galvanized coatings
- Mylar™ Lip Seal: for additional track protection from very heavy dust or paint overspray applications.

### The Spanco V-shaped profile

prevents dust, debris, and ice from accumulating on the track. The self-cleaning V-shape also maintains wheel alignment for end trucks and trolleys, so they always glide effortlessly, day after day. Plus, the enclosed track continuously protects wheels from harm.

## ENCLOSED-TRACK WORKSTATION JIB CRANES

Workstation Jib Cranes	Boom Rotation	Capacities	Spans	Height Under Boom	Powered Rotation
<b>500 Series Freestanding</b>	360°	Up to 1000 lbs	Up to 16'	Up to 12'	N/A
<b>500 Series with Portable Base</b>	360°	Up to 1000 lbs	Up to 16'	Up to 12'	N/A
<b>501 Series Wall-Mounted</b>	200°	Up to 1000 lbs	Up to 16'	Determined by Application	N/A

### WORKSTATION JIB CRANE OPTIONS

- Electric collector rings or air swivels for continuous rotation.
- Rotation stops for limiting boom rotation (to protect nearby structures, etc.).
- Vacuum hose trolley fit a hose up to two inches in diameter.
- Trolleys for any hooks mounted device.
- Trolley options: steel wheels, zinc chromate-plated finish, or bronze wheels with bronze guide rollers for "spark proof" applications.
- Festoon Flat Cable: 4-conductor
- Festoons, Air Hose: 3/8-inch in diameter.
- Anchor bolts and bolt pattern templates for easy installation.



*A worker stacks boxes of packaged food onto a pallet using a 150-pound capacity Spanco Freestanding Workstation Jib Crane with a vacuum attachment.*

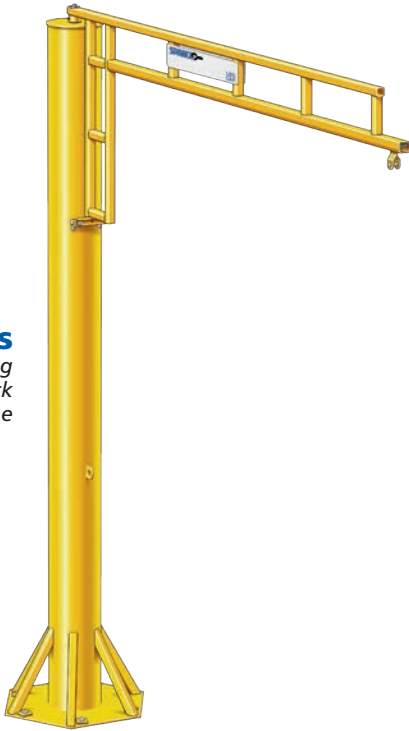


Watch a video of this crane in action at [Spanco.com](http://Spanco.com)

# JIB CRANES ENCLOSED-TRACK WORKSTATION

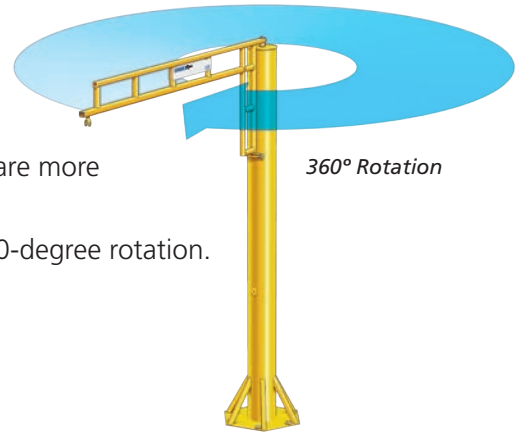
500, 501 SERIES

**500 Series**  
Freestanding  
Enclosed-Track  
Workstation Jib Crane



## Freestanding, Floor-Mounted Workstation Jib Cranes

- Mounting plates attach with anchor bolts to standard 6" reinforced concrete floor or to new foundations for special load conditions.
- Smaller capacity cranes use square mounting plates with welded gussets connected to the mast; each plate uses four anchor bolts.
- Larger capacity cranes use hexagonal mounting plates with welded knee braces connected to the mast; each plate uses six anchor bolts.
- Welded knee braces are stronger than plates, resist buckling, and are more cost effective.
- Provide full 360-degree rotation.



Freestanding Workstation Jib Crane with  
Portable Base.

## Portable Freestanding Workstation Jib Cranes

These workstation jib cranes have all of the features of our floor mounted models, except with counterweight bases. With their forklift pockets, they're ideal for facilities needing flexible workflows and/or modular workstations.

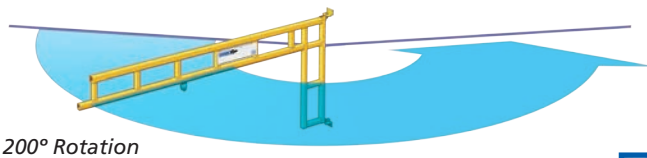
- From 100 lbs. capacity with 16' span; up to 1000 lbs. capacity with 12' span

**Spanco Wall-Mounted Workstation Jib Cranes** are agile and ergonomic lift solutions for the transfer or repetitive loads. The crane bolts to your existing wall or column to cover individual workstations or supplement larger overhead cranes. Wall-mounted workstations fold out of the way to make room for larger equipment and preserve precious factory floor space.

- Bolts to existing wall or column.
- Bronze bearings at the pivot points ensure easy rotation.
- Provides easy 200-degree rotation.



**501 Series**  
*Wall-Mounted  
Workstation Jib Crane*



*200° Rotation*



*Parts are carefully lifted and positioned into this machine tool using a Spanco 500 Series Freestanding Workstation Jib Crane.*

# JIB CRANES WALL-TRAVELING

## COVER THE ENTIRE LENGTH OF YOUR BUILDING



**Wall Traveling**  
Jib Crane

**Spanco Wall-Traveling Jib Cranes** provide long lateral movement of materials without taking up any floor space or interfering with large overhead cranes.

By quickly handling all of the smaller lifts, wall-traveling jibs free up your big cranes, increasing overall plant productivity. An entire series of workstations — conceivably the entire length of your building — can be covered by one agile, wall-traveling crane. Our Wall-Traveling Jib Cranes are cost-effective, custom engineered solutions specific to your production needs and building specifications.

### JIB CRANE FEATURES

- The jib boom is fabricated from a standard “S” beam with a vertical angle truss to reduce deflection. The boom and its truss bolt onto the back frame — no welding needed.
- The end trucks are constructed from channel beam frames to resist twisting. End trucks are jig fixtured and machined for optimum fit and travel. End trucks bolt onto the jib’s back frame.
- The upper end trucks use forged-steel, double-flanged, crane wheels for long service life.
- The crane drive has a squirrel cage motor with double-reduction spur gear reducer for dependability.
- Variable Frequency Drives (VFDs) include mainline contactor, control transformer, inverter acceleration control, and fuses in NEMA 3R, 4, or 12 enclosures.



*A Spanco 5-Ton Wall-Traveling Jib Crane is installed beneath an existing overhead bridge crane and covers the entire length of the facility.*



Watch a video of this crane in action at [Spanco.com](http://Spanco.com)

## SPANCO WALL-TRAVELING JIB CRANES

Wall-Traveling Jib Cranes	Boom Rotation	Capacities	Spans	Runway Length	Height Under Boom	Powered Travel
Wall-Traveling	N/A	Up to 5 tons	Up to 40'	Runway provided by others	Determined by application	Yes

### CRANE OPTIONS

- Variable frequency drives (VFDs) for multi-speed operation
- Horn and beacon
- A variety of voltage options

208-3-60

230-3-60

460-3-60

*Note: A qualified architect or engineer must first determine if the existing building structure is adequate for a wall-traveling jib crane.*

## JIB CRANES MOTORIZED

# CUSTOM ENGINEERED FOR LONG LIFE

### We custom engineer our motorized jib cranes

to assure a long service life for your specific application. Wall-cantilever, wall-bracket, and mast-style jib cranes use the same basic drive as the freestanding model, guaranteeing high performance and reliability.



*A 3-Ton Motorized Freestanding Jib Crane with Epoxy Coating for corrosive environments.*

- We use direct chain and sprocket drives for the accurate and easy positioning of loads. These drives deliver positive traction, eliminating slippage problems common to some tractor-type drives or drives that power roller assemblies. The direct chain and sprocket design is also better for roller durability since it is not directly driving the load-bearing roller assemblies.
- Our drives include a field-adjustable torque limiter for drive protection, as well as a worm gear reducer in an oil bath lubrication for long-lasting, reliable operation and low maintenance.
- TEFC 30-minute rated motors with thermal overload protection are standard.
- All drive parts are easily accessible for lubrication, adjustment, and maintenance.

### JIB CRANE DRIVE OPTIONS

- Stainless Steel Wear Rings for corrosive or spark-resistant applications.
- Air Drives for spark-resistant applications
- Gear and Pinion Drive Components for accurate positioning or high-duty cycles.
- Special Control Enclosures and wiring for hazardous locations.
- Multi-Speed Units for delicate handling situations.
- Protective Coatings: galvanizing, epoxy, and additional custom coatings as required by your application environment.



# FITS ANY FREESTANDING BOX STYLE HEAD CRANE

## JIB CRANES RETROFIT JIB DRIVES

**Spanco Retrofit Jib Drives** convert your existing manual rotation jib crane to motorized rotation for a fraction of the cost of a new powered crane.

These drives are ideal for powering the rotation of heavier loads, or when your production area makes manually rotating the jib unsafe, impractical, or inefficient.

### Universal Modular Design

Spanco Retrofit Drives have a modular design that bolts onto the back of any box style head assembly.

Our jib drive features a high-efficiency electric motor and ultra-reliable worm gear reducer with self-lubrication. The worm gear drives a set of large steel rollers fitted with polyurethane treads for exceptional durability and traction.

The rollers are constantly kept at the correct pressure against the crane's mast via a spring-loaded tension adjustment mechanism, assuring smooth acceleration and jib rotation.

### SPANCO RETROFIT DRIVE OPTIONS

- Air Drives
- NEMA 12 and 4 control enclosures (for indoor use)
- Explosion proof enclosures and wiring

Spanco Retrofit Jib Drives meet CMAA, OSHA, ASME standards, and are not recommended for outdoor use.

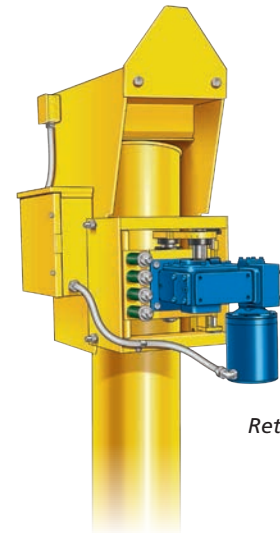
### JIB DRIVE CONTROL PANEL

#### A NEMA 3R enclosure houses:

- Mainline Contactor
- Reversing Magnetic Contactors
- Thermal Overload
- 110V Fused Control Transformer
- Branch Circuit Fusing to crane motor
- Variable Frequency Drive

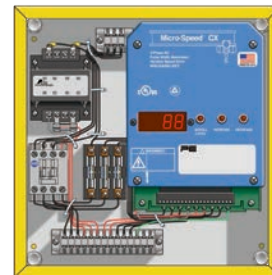
#### Control Panel Options

- NEMA 12 and 4 control enclosures for indoor use
- Explosion proof enclosures and wiring
- Controls can be set up for 208-230 volt or 460-480 volt, 3-phase, 60-cycle power supply; call Spanco regarding additional available voltages.



*Retrofit Jib Drive*

Retrofit Drives	Capacities	Jib Span	Speed (Nominal)
RDU-2	2-ton	20'	1/2 RPM
RDU-3	3-ton		
RDU-4	5-ton		



*Jib Drive Control Panel*

## SPANCO JIB CRANES

# THE PERFECT COMPLEMENT FOR YOUR EXISTING OVERHEAD CRANES

### Six Times The Flexibility

A manufacturer of large material handling systems needed a quick way to move large components like superstructure engine assemblies to and from the main assembly conveyor without having to wait for one of the plant's 30-ton overhead cranes.

Their local Spanco distributor recommended that they install six 1-ton capacity 300 Series Wall-Mounted Jib Cranes in critical work areas. Now, one worker can lift and move major components over ever-changing floor obstacles and back onto the conveyor without using a 30-ton crane. And, the jib cranes simply fold away when the large overhead cranes are needed.



### The Right-Sized Crane

A steel mill realized that its large overhead cranes were frequently unavailable for key tasks such as ladle transport because they were also used for smaller tasks, e.g., ladle lid removal and replacement. Plus, the large cranes were difficult and slow to maneuver for these smaller tasks.

Impressed by our 20 years of steel mill experience, the mill invested in a Spanco Wall-Traveling Jib Crane. The new, custom-engineered jib crane travels on beam runways that are mounted onto support columns. It readily removes and replaces ladle lids, while the large overhead cranes can focus on transferring the ladles themselves. As a plus, the wall-traveling jib is quickly moved out-of-the-way when the large overhead cranes are needed.

## BEST WARRANTY IN THE INDUSTRY

### The Ten-Year Spanco Warranty

#### Products covered under the Ten-Year Warranty:

- Manual Steel Freestanding, Ceiling Mounted Workstation Bridge Cranes, and Monorails
- Manual Aluminum (Alu-Track®) Workstation Bridge Cranes and Monorails
- Manual Jib Cranes (I-Beam, Articulating, and Workstation Jib Cranes)
- Manual Gantry Cranes and Tripods

#### What the Ten-Year Warranty covers:

- Defects in equipment material and workmanship
- Wearable parts (workstation bridge crane end trucks and hoist trolley wheels only)

Spanco, Inc. warrants its manual workstation bridge crane products, jib crane products, and gantry crane products to be free from defects in material and workmanship for a period of ten (10) years or 20,000 hours, commencing on the date of shipment to the first retail purchaser. This warranty extends to non-wearable parts only, with the exception of the wheels supplied on manually operated workstation end trucks and hoist trolleys. This warranty does not cover defective equipment or system failure caused by misuse, negligence, improper installation or maintenance, or equipment that has been used in excess of its rated capacity or beyond its service factors. It does not apply to equipment that has been altered without Spanco's written authorization.

Written notice of any claimed system defect must be given to Spanco within thirty days of discovery. Spanco's obligation under this warranty is limited to the replacement or repair of Spanco's products at the factory or separate location approved by Spanco. The purchaser is responsible for all freight and transportation costs relating to equipment repair or replacement.

***Other than the abovementioned warranty, Spanco, Inc. will not honor any other warranties—whether express, implied, or statutory—and disclaims any warranties of merchantability or fitness for a particular purpose.***

Spanco is not liable—under any circumstances—for any indirect, incidental, or consequential damages including but not limited to lost profits, increased operating costs, or loss of production. This warranty does not extend to components or accessories not manufactured by Spanco. The purchaser's remedy for such components and accessories will be determined by the terms and conditions of any the warranty provided by the manufacturer of such components and accessories.

*NOTE: All motorized Spanco products come with a One-Year Warranty on drive components.*

# SPANCO FAMILY OF LIFTING SOLUTIONS



Ceiling-Mounted Workstation Bridge Cranes



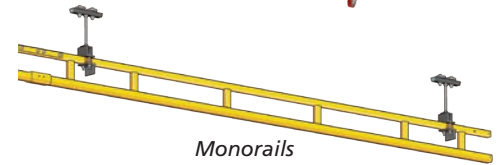
Lightweight and portable Aluminum Gantries



Versatile Steel Gantry Cranes



Wall-Mounted Jib Cranes



Monorails



Freestanding Workstation Bridge Cranes



Freestanding Jib Cranes

**To learn more** about Spanco's full line of material handling products, including Jib Cranes, Gantry Cranes, and Workstation Bridge Cranes, please visit **Spanco.com** from your desktop computer or mobile device.

## JIB CRANES NEXT STEP

Our engineering department stands ready to help you address any and all challenging applications. If you ever have any questions regarding the installation, operation, or maintenance of your crane, call us at 800-869-2080.

To find your manufacturer's rep, visit **Spanco.com** or call us at **800-869-2080**. We'll connect you with the most qualified local Spanco distributor for your application. Your distributor will gladly review your needs — firsthand and in-person — and make expert recommendations. We stand ready to deliver on our Promise To Perform.



604 Hemlock Road  
Morgantown, PA 19543 USA  
info@Spanco.com ■ Spanco.com

USA/Canada: 1-800-869-2080  
Local Phone: 610-286-7200

©2015 Spanco®, Inc. All rights reserved. All specifications and product designs subject to change without notice. All trademarks are the sole property of their respective owners.

SP-JC-BR0514V1