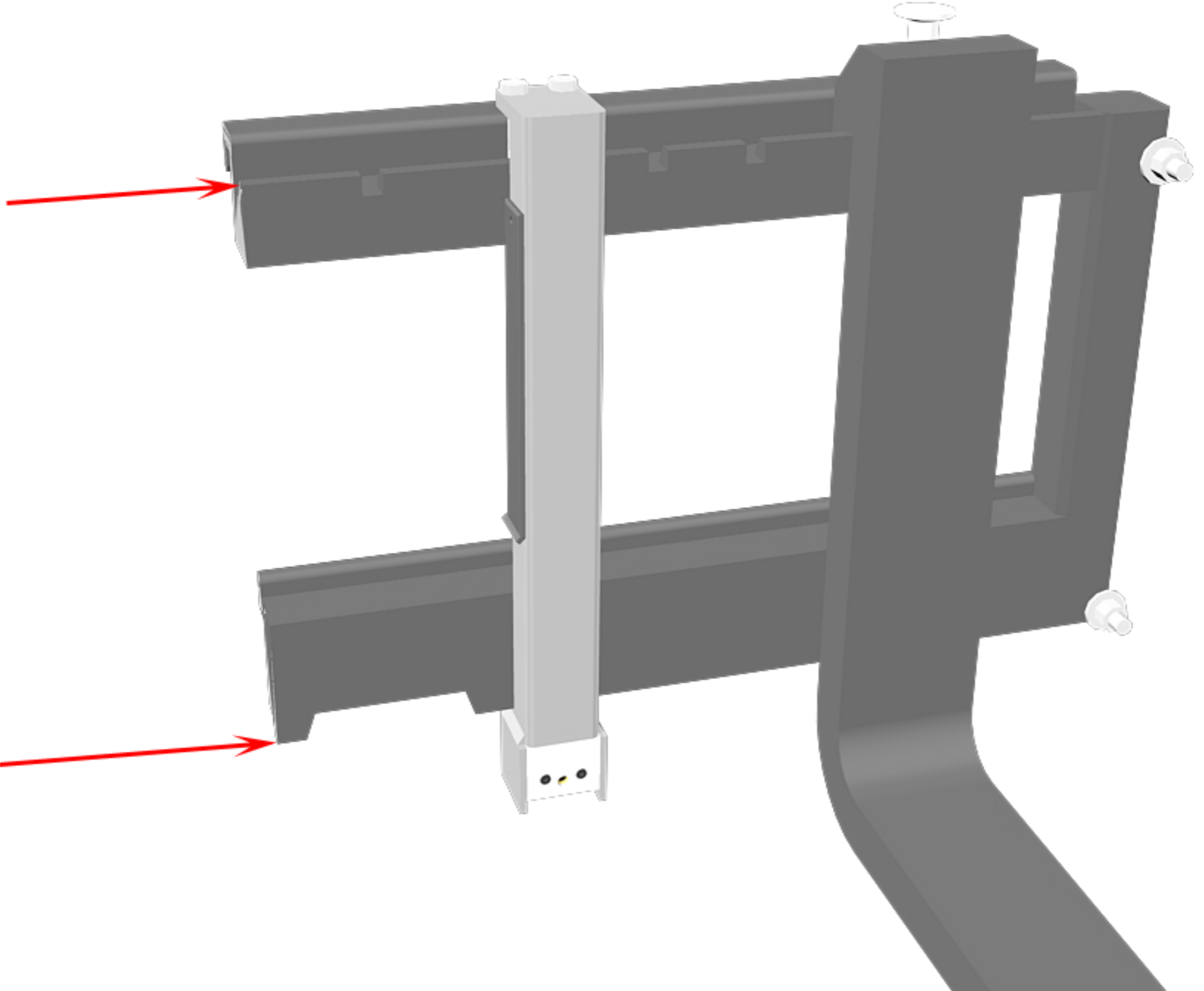


How To Determine Fork Class

**Measure
from here**



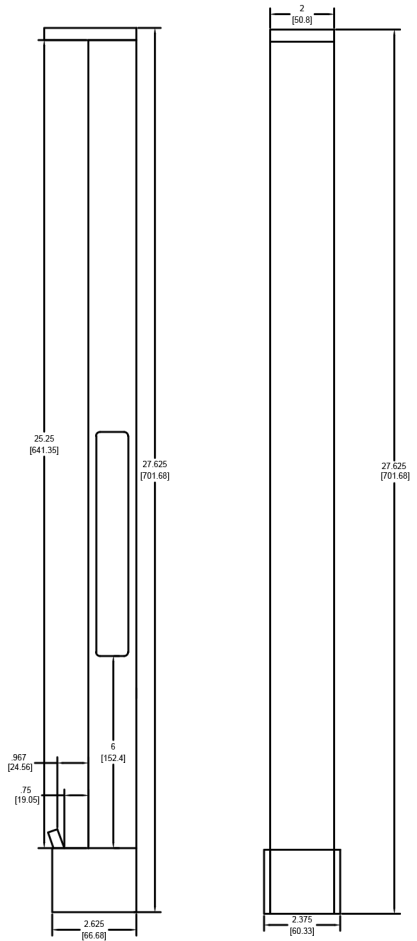
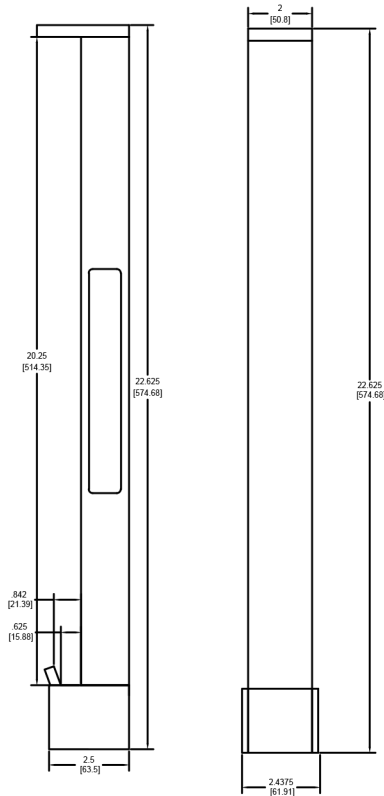
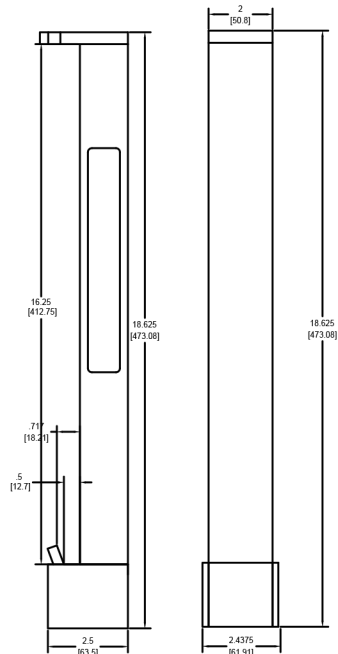
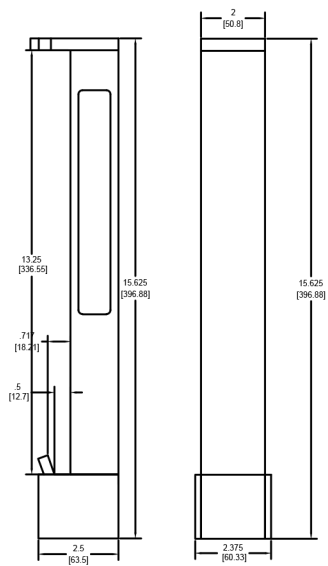
To Here

Class I

Class II

Class III

Class IV



The lower measurements between the brackets are in millimeters.