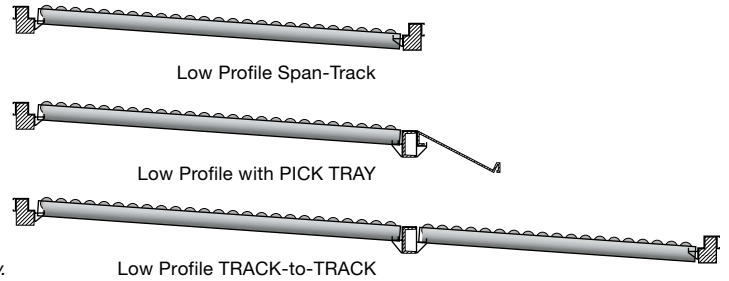


Span-Track, manufactured by Unex, is available in three models: High Profile, Low Profile and Deck Span-Track. This guide is for the Low Profile model. It shows how to install Low Profile sections of Span-Track into pallet rack (PAGE 1). Pick Tray and "Track-to-Track" installation instructions are on PAGE 2.

High Profile and Deck Span-Track installation instructions are available separately.



INSTALLATION SPAN-TRACK®

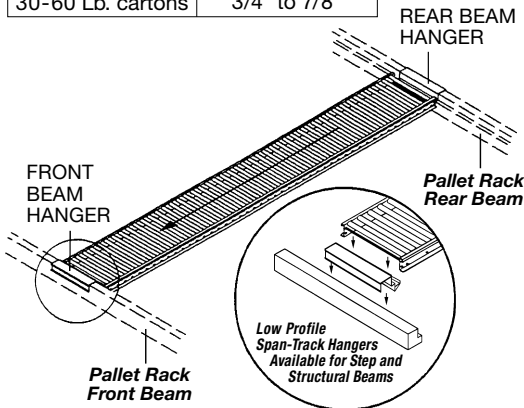
LOW PROFILE

Low Profile Span-Track installs between pallet rack beams. For each type of carton install the first level of track following the instructions below and test for pitch before installing additional levels.

1 SET BEAMS

Set front pallet rack beam to desired discharge elevation. Set rear beam at higher elevation for flow (see chart).

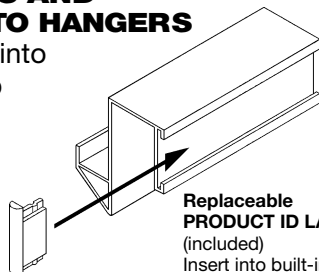
PRODUCT	PITCH PER FOOT
Totes	3/4" to 7/8"
1-10 Lb. cartons	7/8" to 1-1/8"
10-30 Lb. cartons	7/8" to 1"
30-60 Lb. cartons	3/4" to 7/8"



2 ADD LABELS AND END CAPS TO HANGERS

Slip ID Labels into slots and snap on End Caps.

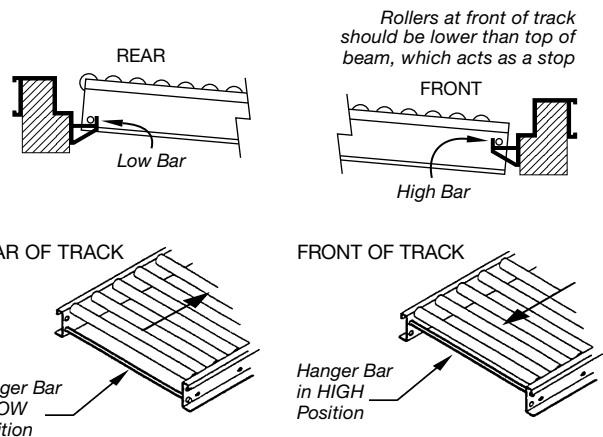
END CAPS (included)
2 per hanger, add to sides of label holder.



Replaceable PRODUCT ID LABELS (included)
Insert into built-in label holders of hangers.

3 ADD HANGERS & TRACK

Place one set of hangers on front & rear beams – do not force or hammer hangers onto beams. Note that front of track has a high hanger bar and rear of track has a low hanger bar (see below). Place track in position on hangers.



4 TEST PITCH

Test installed track section for product flow to determine if rear beam needs readjustment for effective pitch.

IMPORTANT: Track section to be tested should be loaded and allowed to sit for 24 hours. Then remove cartons at pick face and check resulting flow. This is the most reliable way to ensure proper flow for your particular products and storage environment.