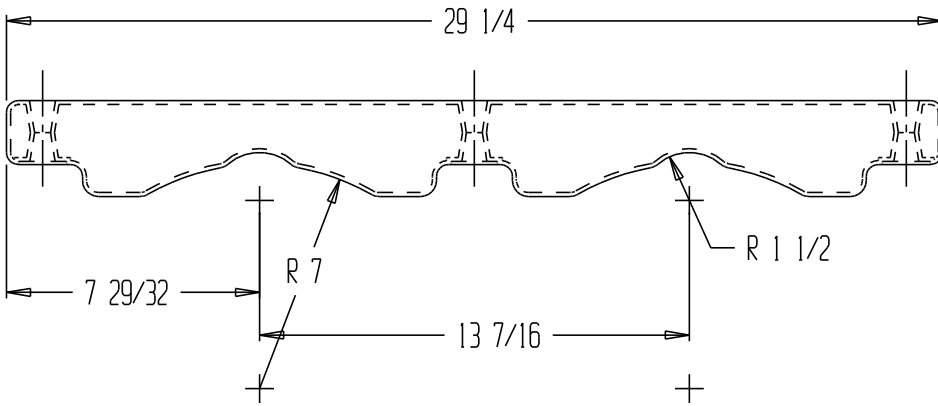
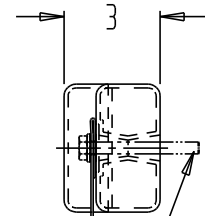
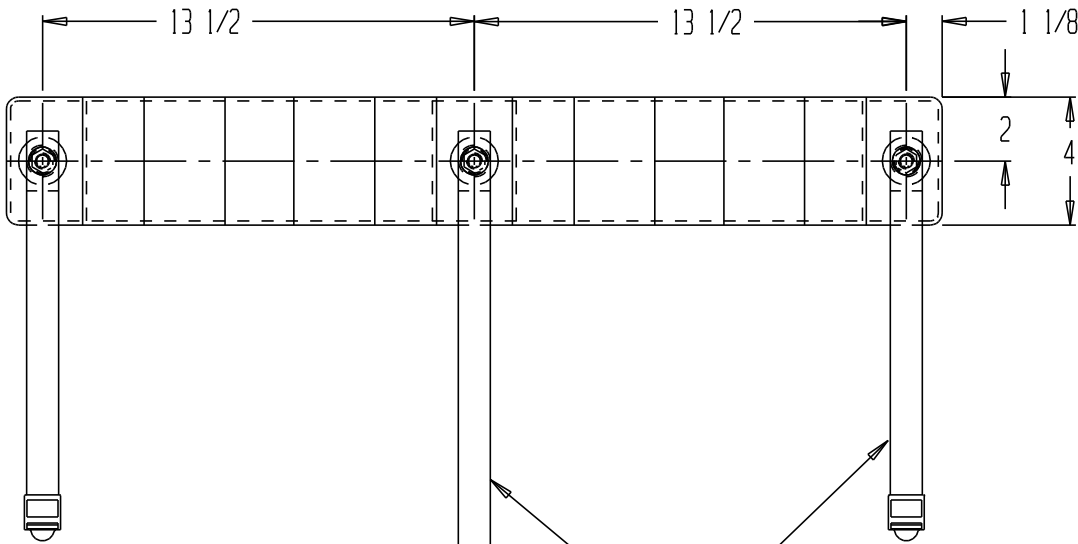


GAS CYLINDER POLY BUMPER, CB-W-2P



MOUNTING HARDWARE NOT INCLUDED

NOTE: STRAPS & HARDWARE NOT SHOWN IN TOP VIEW.



BOLTS SHOWN FOR CLARITY

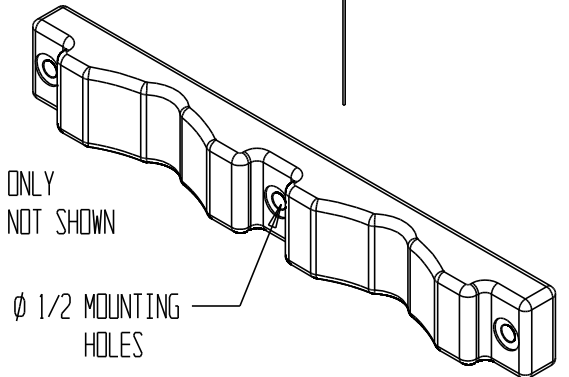
HARDWARE NOT INCLUDED

STANDARD FEATURES

MODEL NUMBER: CB-W-2P
 CAPACITY: 2 CYLINDER
 OVERALL WIDTH: 29 1/4"
 OVERALL DEPTH: 3"
 OVERALL HEIGHT (WITHOUT STRAP): 4"
 MOUNTING HOLE DIA.: 1/2"

NYLON SECURITY STRAPS

3-D FOR REFERENCE ONLY
 STRAPS & HARDWARE NOT SHOWN
 SCALE 1:8



Ø 1/2 MOUNTING HOLES

SPECIAL FEATURES

NONE

LEAD TIME WILL START UPON RECEIPT OF SIGNED APPROVAL DRAWING

**SPECIAL UNITS ARE NON-RETURNABLE
 *AVAILABLE AT ADDITIONAL COSTS

APPROVAL

I, the undersigned, hereby approve this print
 [] As drawn [] As marked
 This includes my approval of design & dimensions.
 Signed: _____
 Date: _____

DISTRIBUTOR'S NAME: VESTIL MANUFACTURING		P.O.#: -
DRAWN BY: SR		W.O.#: -
DATE: 6-9-05		SALES: -
REFERENCE: -		DRWG./FILE NAME: CB-W-2P
SCALE: 1:6		