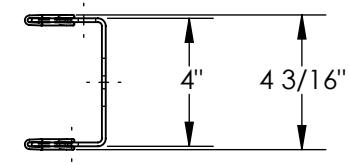
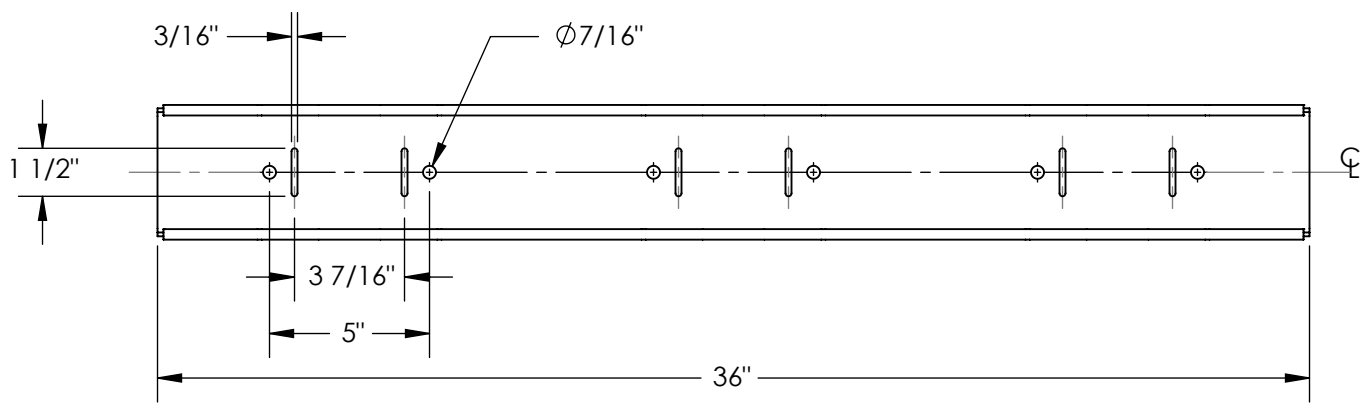
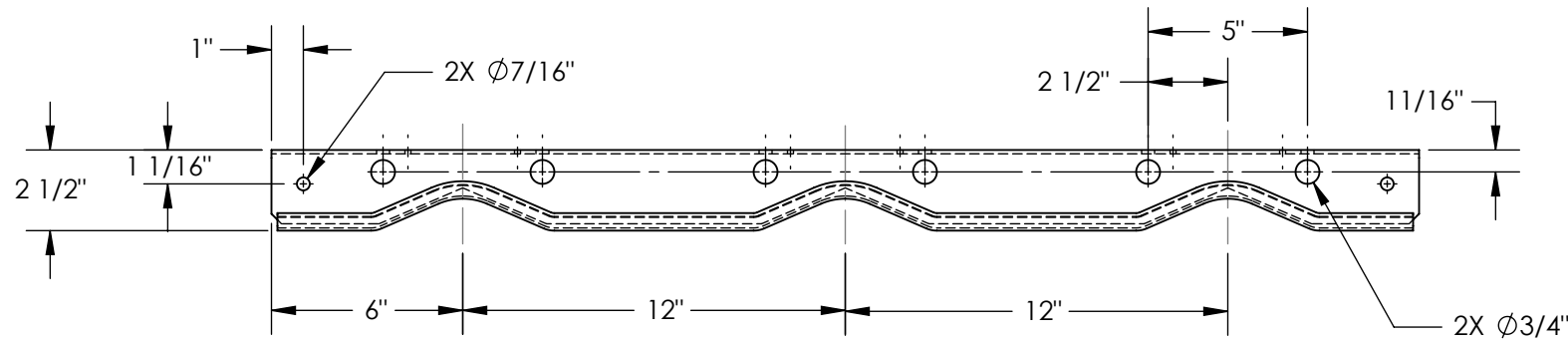


CYLINDER BRACKET - CB-W-3S

APPROX WEIGHT: 9.46 lbs.
 DOES NOT INCLUDE WEIGHT OF POWER OR PACKAGING!!!

*** ANY ADDITIONS, DELETIONS, OR OMISSIONS MUST BE CORRECTED ON THIS DRAWING AS THIS DRAWING WILL BE CONSIDERED ALL INCLUSIVE ***
 ALL GRAPHICS PROVIDED ARE FOR REFERENCE ONLY. IF CERTAIN DIMENSIONS ARE CRITICAL PLEASE VERIFY THOSE DIMENSIONS WITH YOUR SALESPERSON



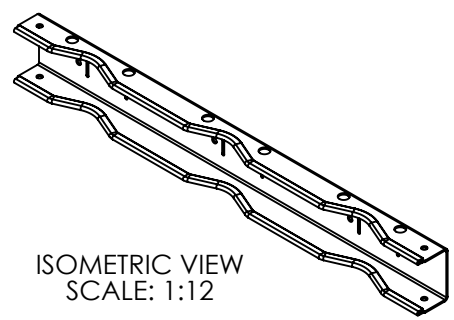
NOTE: CYLINDER SECURING STRAPS WITH TENSION LOCKS NOT SHOWN.

STANDARD FEATURES

- MODEL NUMBER: CB-W-3S
- OVERALL WIDTH: 36"
- OVERALL DEPTH: 2 1/2"
- OVERALL HEIGHT: 4 3/16"
- MAX CAPACITY: THREE CYLINDERS

SPECIAL FEATURES

NONE



I, THE UNDERSIGNED, AGREE THAT THE PRODUCT AS REPRESENTED SATISFIES DESIGN AND DIMENSION REQUIREMENTS. I ALSO ACKNOWLEDGE MY DUTY TO CONFIRM PRODUCT AND INSTALLATION COMPLIANCE WITH ALL APPLICABLE FEDERAL, STATE AND LOCAL REGULATIONS AND STANDARDS.

ALL SPECIAL UNITS ARE NON-RETURNABLE
 As drawn As marked

Signed: _____ Date: _____

LEAD TIME WILL START UPON RECEIPT OF SIGNED APPROVAL DRAWING

DISTRIBUTOR'S NAME: VESTIL MANUFACTURING		P.O.# X
DRAWN BY: X		W.O.# X
DATE: XX/XX/XX	SCALE: 1:6	SALES: X
REFERENCE: X	QUOTE # X	FILE NAME: 16-007-217