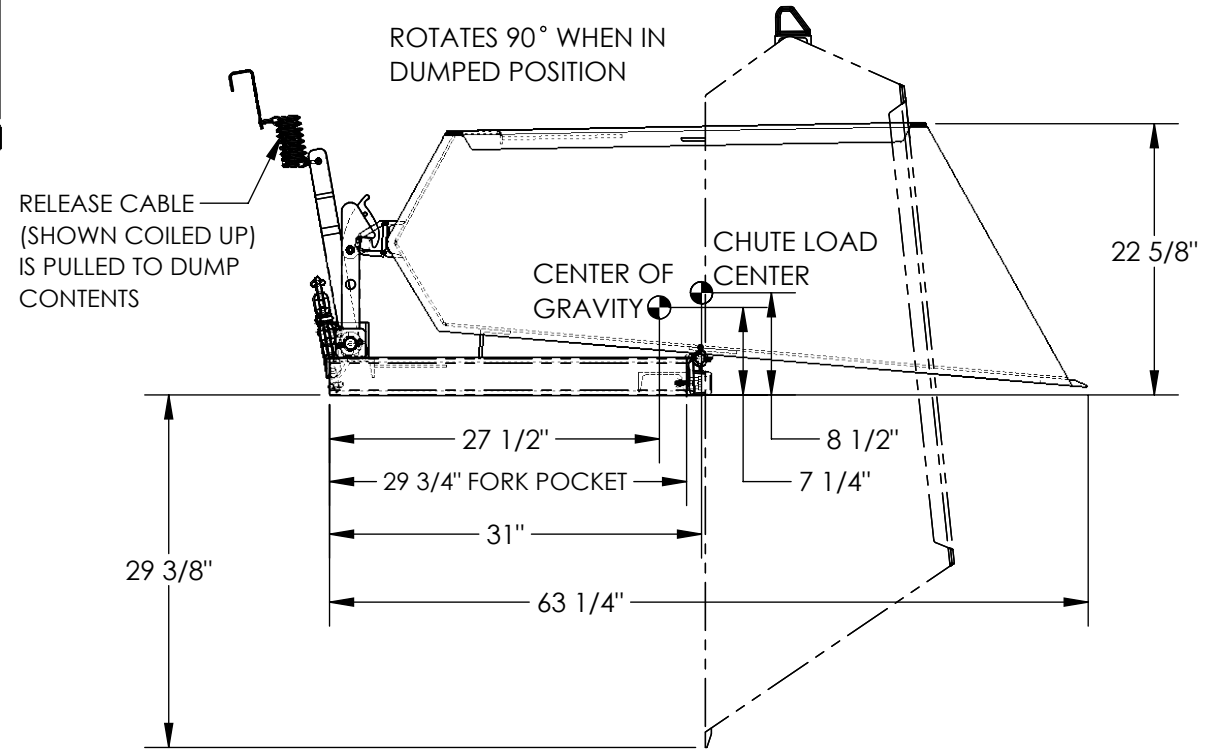
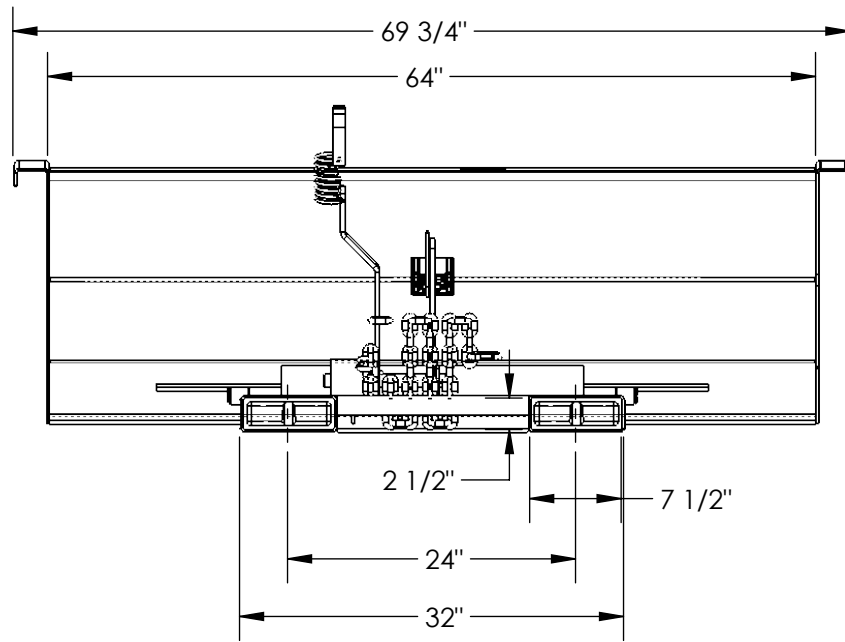


FORK MOUNTED FRONT LOADER - FL-4000

APPROX WEIGHT: 543.55 lbs.
DOES NOT INCLUDE WEIGHT OF POWER OR PACKAGING!!!

*** ANY ADDITIONS, DELETIONS, OR OMISSIONS MUST BE CORRECTED ON THIS DRAWING AS THIS DRAWING WILL BE CONSIDERED ALL INCLUSIVE ***

ALL GRAPHICS PROVIDED ARE FOR REFERENCE ONLY. IF CERTAIN DIMENSIONS ARE CRITICAL PLEASE VERIFY THOSE DIMENSIONS WITH YOUR SALESPERSON



DIMENSION TOLERANCE ± 1/4"

STANDARD FEATURES

- MODEL NUMBER: FL-4000
- WEIGHT CAPACITY: 4,000 LBS
- VOLUME CAPACITY: 1 1/3 CU YD (APPROX.)
- USABLE FORK POCKETS ARE 7 1/2" W X 2 1/2" H ON 24" CENTERS AND ARE 29 3/4" LONG
- RELEASE CABLE IS AT LEAST 48"
- SAFETY CHAIN TO SECURE UNIT TO FORK TRUCK
- OVERALL DIMENSIONS: 69 3/4" W x 63 1/4" L x 22 5/8" H
- TOUGH BAKED IN POWDER COATED BLUE FINISH

SPECIAL FEATURES

NONE

APPROVAL	I, THE UNDERSIGNED, AGREE THAT THE PRODUCT AS REPRESENTED SATISFIES DESIGN AND DIMENSION REQUIREMENTS. I ALSO ACKNOWLEDGE MY DUTY TO CONFIRM PRODUCT AND INSTALLATION COMPLIANCE WITH ALL APPLICABLE FEDERAL, STATE AND LOCAL REGULATIONS AND STANDARDS.	
	ANY MODIFIED UNITS ARE NON-RETURNABLE	
	[] As drawn [] As marked	
	Signed: _____ Date: _____	
Printed Name: _____		
<i>LEAD TIME WILL START UPON RECEIPT OF SIGNED APPROVAL DRAWING</i>		

FOR INTERNAL USE ONLY PROJECT SIGN OFF		DISTRIBUTOR'S NAME:		P.O.#
		VESTIL MANUFACTURING		X
SALES		DRAWN BY: BJW	DATE: 10/5/2013	W.O.#
ENG.		REFERENCE: X	SCALE: 1:16	X
FAB.		QUOTED LEAD TIME: X	QUOTE #	FILE NAME:
POWER			X	37-007-020