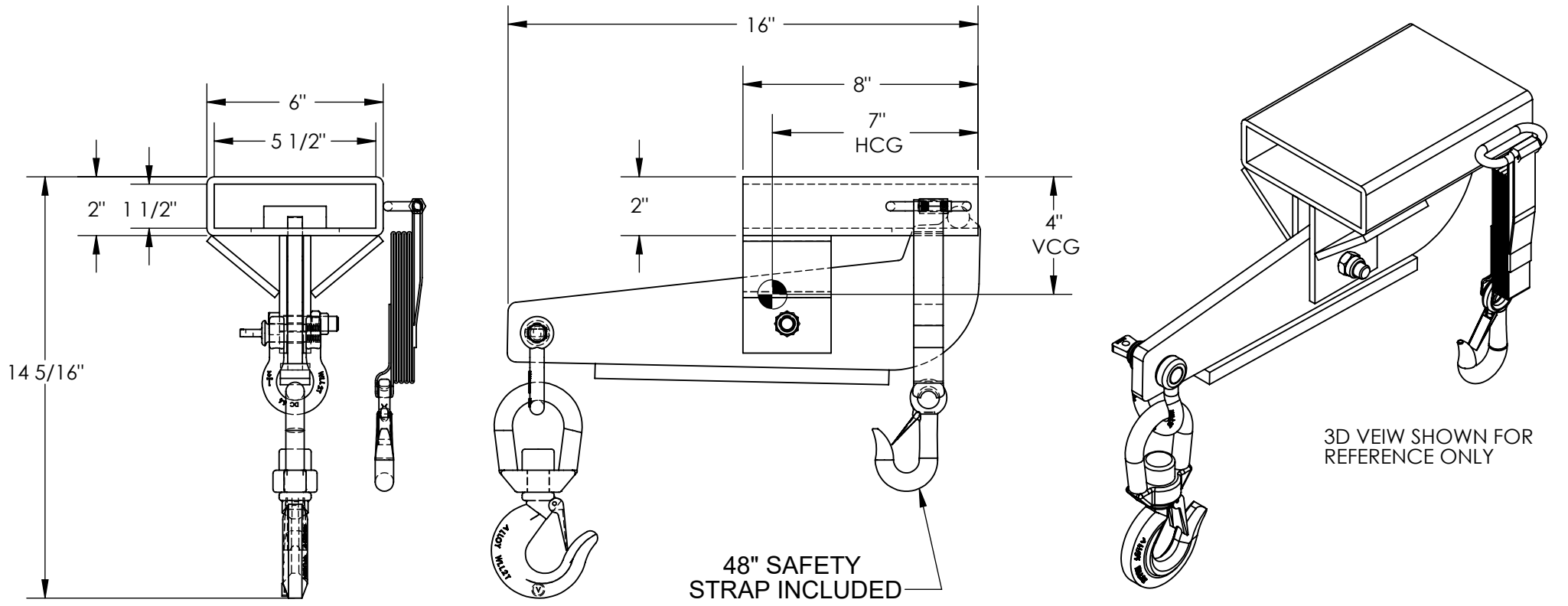


SINGLE FORK AUTO-TENSION HOISTING HOOK - S-FORK-4-AT

APPROX WEIGHT: 23.33 lbs.
 DOES NOT INCLUDE WEIGHT OF POWER OR PACKAGING!!!

*** ANY ADDITIONS, DELETIONS, OR OMISSIONS MUST BE CORRECTED ON THIS DRAWING AS THIS DRAWING WILL BE CONSIDERED ALL INCLUSIVE ***
 ALL GRAPHICS PROVIDED ARE FOR REFERENCE ONLY. IF CERTAIN DIMENSIONS ARE CRITICAL PLEASE VERIFY THOSE DIMENSIONS WITH YOUR SALESPERSON



STANDARD FEATURES

- MODEL NUMBER IS S-FORK-4-AT
- OVERALL WIDTH IS 6"
- OVERALL LENGTH IS 16"
- FORK POCKET USABLE WIDTH IS 5 1/2"
- FORK POCKET USABLE HEIGHT IS 1 1/2"
- FORK POCKET USABLE LENGTH IS 8"
- MAX CAPACITY IS 4,000 LBS
- LOST LOAD IS 23 LBS
- TOUGH BAKED IN POWDER COATED YELLOW FINISH
- 48" LG SAFETY STRAP INCLUDED

SPECIAL FEATURES

NONE

NEVER EXCEED LOAD CENTER RATING PER FORK TRUCK MANUFACTURER'S GUIDELINES.
 DO NOT USE THIS FORK TRUCK ATTACHMENT IF LOAD WILL EXCEED FORK TRUCK MANUFACTURER'S LOAD CENTER RATING.

FOR INTERNAL USE ONLY PROJECT SIGN OFF	
SALES	
ENG.	
FAB.	
POWER	

DIMENSION TOLERANCE $\pm 1/4"$

I, THE UNDERSIGNED, AGREE THAT THE PRODUCT AS REPRESENTED SATISFIES DESIGN AND DIMENSION REQUIREMENTS. I ALSO ACKNOWLEDGE MY DUTY TO CONFIRM PRODUCT AND INSTALLATION COMPLIANCE WITH ALL APPLICABLE FEDERAL, STATE AND LOCAL REGULATIONS AND STANDARDS.

ANY MODIFIED UNITS ARE NON-RETURNABLE

[] As drawn [] As marked

Signed: _____ Date: _____

Printed Name: _____

LEAD TIME WILL START UPON RECEIPT OF SIGNED APPROVAL DRAWING

DISTRIBUTOR'S NAME:		P.O.#
VESTIL MANUFACTURING		X
DRAWN BY: MS		W.O.#
DATE: 8/24/2010		X
REFERENCE: X	SCALE: 1:5	SALES: X
QUOTED LEAD TIME: X	QUOTE # X	FILE NAME:
		08-007-242