



FTLP-SERIES EQUIPMENT PLATFORMS

INSTRUCTION MANUAL



MODEL: FTLF-5454
MAXIMUM RATED LOAD: 2,000LBS (~909KG)

FTLP-5454-HR
2,000LBS (~909KG)

VESTIL MANUFACTURING CORP.
 2999 NORTH WAYNE STREET, P.O. BOX 507, ANGOLA, IN 46703
 TELEPHONE: (260) 665-7586 -OR- TOLL FREE (800) 348-0868
 FAX: (260) 665-1339

URL: WWW.VESTILMFG.COM **EMAIL:** SALES@VESTIL.COM

NOTE: Compliance with regulations, codes, and/or statutory (non-voluntary) standards enforced in the location where the platform is used is exclusively the responsibility of the end-user.

Table of Contents

Product Introduction.....	2
Safety Principles.....	2
Safety Guidelines.....	3
Inspections & Maintenance.....	3 - 4
Loading and Using the Platform.....	6 - 7

Table of Figures

Fig. 1 "FTLP-series Exploded Parts Diagram & Parts List".....	4
Fig. 2A "FTLP-5454 Center of Gravity Diagram".....	5
Fig. 2B "FTLP-5454-HR Center of Gravity Diagram".....	5
Fig. 3 "Mast Guard Hinge".....	6
Fig. 4 "Proper Attachment of Safety Strap to Carriage".....	6
Fig. 5 "Safety Strap Attachment to Platform".....	6
Fig. 6 "Anchorage Points".....	7
Fig. 7 "Ramp Closure Mechanism".....	7
Fig. 8 "Product Markings and Labels".....	8

PRODUCT INTRODUCTION



Thank you for purchasing a fork-mountable equipment loading platform (“platform” or “loading platform”) made by Vestil Manufacturing Corporation (“Vestil”). Our platforms are durable, high-quality products that combine safety-features and reliable mechanics. Although use and maintenance procedures are relatively intuitive, all persons who might use or maintain this product must familiarize themselves with the instructions provided in this manual.

Standard design features include: fork pockets that receive the tines (forks) of a fork lift; loading ramp; toeboards; textured floor plate for improved tractions; and a safety chain to secure the work platform to the fork carriage to prevent the platform from sliding off of the forks if the lift operator accidentally tilts the mast forward during use. Optional features include: mast guard; guard rails; and entryway-spanning chains. Dimensions and other product specifications appear in the following table:

Model	Platform dimensions width x length in inches (~cm)	Fork pocket dimensions width x height in inches (~cm)	Uniform maximum rated load in pounds (kg)	Net weight in pounds (~kg)
FTLP-5454	54 x 54 (137 x 137)cm	7½ x 2½ (19 x 6.4)cm	2,000 (909kg)	300 (136kg)
FTLP-5454-HR*	54 x 54 (137 x 137)cm	7½ x 2½ (19 x 6.4)cm	2,000 (909kg)	410 (186kg)
*Includes removable handrails (2), entryway chains (2), and expanded metal mast guard.				

NOTE: To calculate the weight of a “fully loaded platform,” select the specific model you own/use, find the net weight of your model in the table above, and then add 2,000 pounds (909kg).

Safety Principles

Vestil Manufacturing Corp. recognizes the critical importance of workplace safety. However, although Vestil diligently strives to identify foreseeable hazardous situations, this manual cannot address every conceivable danger. The end-user is ultimately responsible for exercising sound judgment at all times.

This manual will acquaint persons authorized to use and/or maintain this equipment platform with safe use and maintenance procedures. **Each person, who might use or perform maintenance on the equipment platform, must read and understand every instruction BEFORE using the device or performing maintenance.** Users should have access to the manual at all times and should routinely review the directions.

Employers are responsible for training employees to use the product properly. If you do not understand an instruction, ask your supervisor or employer for assistance, because failure to follow the directions in this manual might result in serious personal injury or even death.

Vestil is **not liable** for any injury or property damage that occurs as a consequence of failing to apply either: 1) the instructions that appear in this manual; or 2) the information provided on labels affixed to the product. Furthermore, failure to exercise good judgment and common sense might result in property damage, serious personal injury or death. Such failure is solely the fault of the person(s) using the equipment platform.

This manual uses SIGNAL WORDS to classify personal injury risks and situations that might lead to property damage, as well as to draw attention to safety messages(s). The reader must understand that each signal word indicates the seriousness of the described hazard.



DANGER Identifies a hazardous situation which, if not avoided, WILL result in DEATH or SERIOUS INJURY. Use of this signal word is limited to the most extreme situations.



WARNING Identifies a hazardous situation which, if not avoided, COULD result in DEATH or SERIOUS INJURY.



CAUTION Indicates a hazardous situation which, if not avoided, COULD result in MINOR or MODERATE injury.



NOTICE Identifies practices likely to result in product/property damage, such as operation that might damage the equipment platform.

SAFETY GUIDELINES

Failure to read and understand the instructions included in this manual before using or servicing the work platform constitutes misuse of the product.

Study the entire manual before you use the product for the first time and before each subsequent use. Read the manual to refresh your understanding of the safe use, inspection and maintenance procedures explained on p. 5. If questions remain about the product after you finish reading the manual, contact Vestil for answers. DO NOT attempt to resolve any problems with the work platform unless you are authorized to do so and are certain that it will be safe to use afterwards.

⚠ DANGER Electrocutation might result if the platform contacts electrified wires. Reduce the likelihood of electrocution by applying **common sense**:

- DO NOT *contact* electrified wires with any part of the platform;
- DO NOT use the platform in an area where contact with electrified wires is likely;
- DO NOT use the platform *close to* electrified wires or other sources of electricity;
- Before using the platform, always inspect the usage area for unusual conditions that require special precautions.

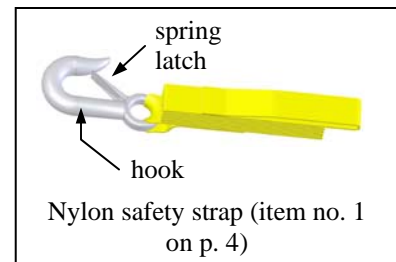
⚠ WARNING Material handling is dangerous. Improper or careless operation might result in serious personal injuries sustained by the fork truck operator, platform occupant, and/or bystanders. Apply to the following suggestions to reduce the likelihood of injury (unless law compels different action(s)):

- Contact the manufacturer of your lift truck to verify that the truck is capable of safely handling the fully loaded platform. To calculate the weight of a "fully loaded platform," select the specific model you own/use, find the net weight of your model in the table above, and then add 2,000 pounds (909kg). The width of your platform must be equal to or less than the width of your fork truck plus 10 inches (250mm).
- ONLY use the platform as a means for lifting and transporting equipment NOT people.
- DO NOT use a structurally compromised platform. Examples of structural damage includes: broken/severely damaged railings, mast guard, or fork pockets, and holes produced by rust or corrosion in the platform floor. Inspect the platform before each use according to the inspection instructions on p. 3-4. DO NOT use the platform unless it passes every part of the inspection.
- DO NOT use the platform if the safety strap is damaged or missing; DO NOT lift the platform until it is securely connected to the carriage of the fork truck with the safety strap (see Step 1 & 2 on p. 6).
- DO NOT attempt to lift a load that weighs more than the maximum load rating of the platform. The net weight, *i.e. the combined weight of everything supported by the platform including any person supported by the platform while loading or unloading equipment*, cannot exceed the maximum rated load of the platform.
- DO NOT stand beneath or travel under the platform while it is elevated.
- DO NOT use the chains, mast guard, or guardrails as a step.
- DO NOT use the platform to transport people! A person should only stand or walk on the platform to load and unload equipment.
- DO NOT use the platform UNLESS each label shown in Fig. 8 on p. 8 is affixed to the platform, undamaged and readable.

Inspections & Maintenance

Before each use inspect the listed components:

1. Snap hook (attached to the free end of the nylon safety strap): confirm that the spring latch automatically closes securely against the tip of the hook as shown in the diagram to the right. If the hook, nylon strap, or latch is damaged, then do not use the platform until a complete, new safety strap is obtained and attached to the platform. Refer to steps 1 & 2 on p. 6 for attachment procedures.
2. [FTLP-54 54-HR] Handrails: check the rails, rail welds, and points of contact between the rails and the sleeves welded to the platform for bending, warping and cracking.
3. [FTLP-54 54-HR] Lanyard attachment points: check the anchorage weldment (see FIG. 6 on p. 7) and points of attachment to the mast guard for bending, warping, or cracking.
4. Product labels: all labels should be readable and located as shown in the diagram on p. 8. If a label(s) is unreadable or missing, contact Vestil to order a replacement.

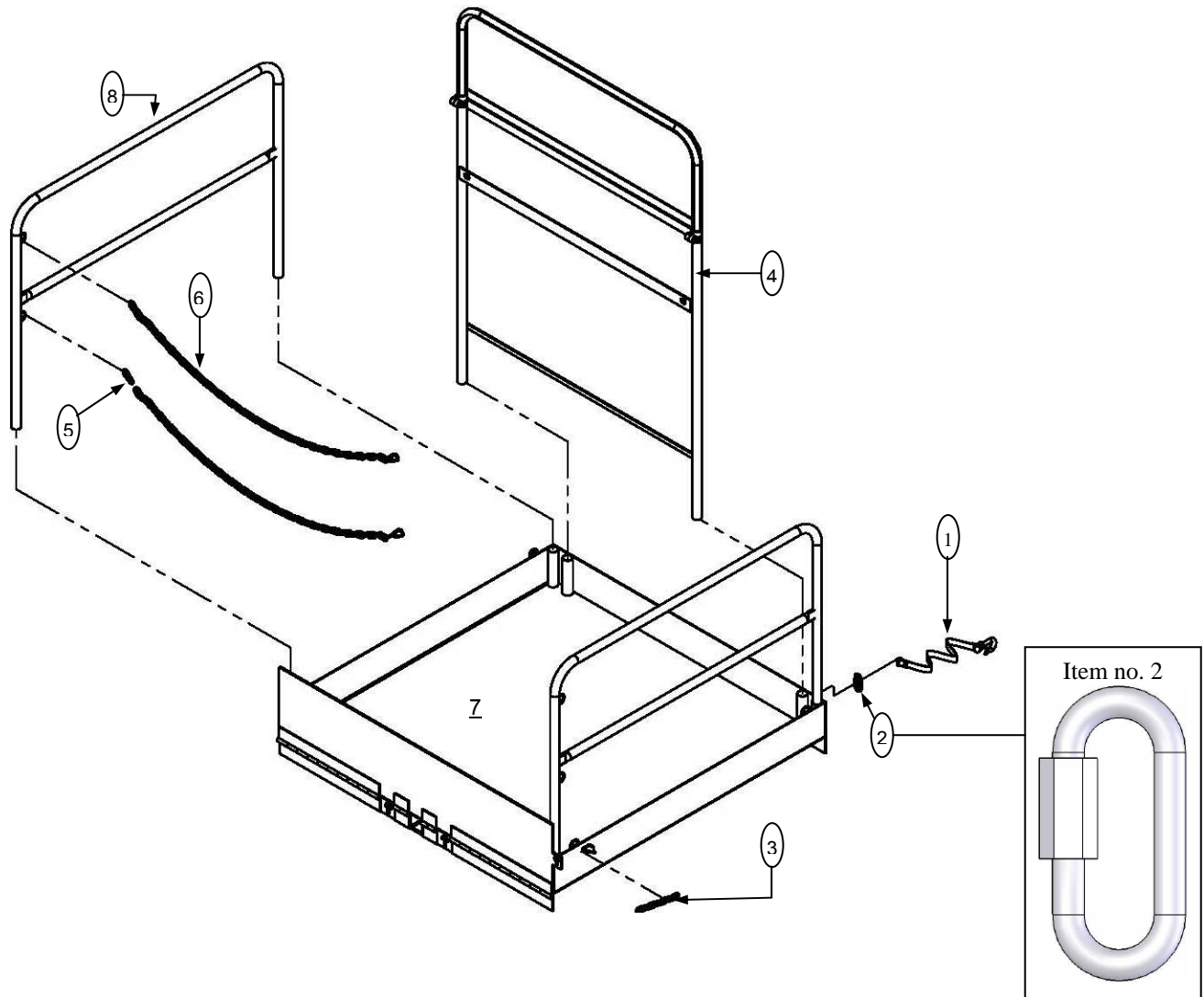


At least 1 time per month, inspect:

1. Fasteners (hardware):
 - Mast guard hinge - bolts, nuts, washers. Replace all damaged fasteners.
 - Gate – chains, snap hooks, welded D-rings (attachment points for each chain). DO NOT use the platform until all damaged hooks and chains are replaced and damaged D-rings are restored to original condition.

2. Fork pockets: confirm that each pocket is structurally sound, not corroded or rusted. DO NOT use the platform if the fork pockets are structurally compromised or dangerously rusted or corroded.
3. Welds: confirm that all welds are intact. DO NOT use the platform if authorized maintenance personnel determine that a damaged weld compromises the soundness of the platform.
4. Barriers: inspect handrails, mast guard, and entryway chains for obvious damage or deformation.
5. (Overall condition of) Platform: the structure should be clean, square and rigid, and free of rust and corrosion. Remove dirt and debris. DO NOT use the platform if the base is rusted or corroded.

FIG. 1: FTLP-SERIES EXPLODED PARTS DIAGRAM AND PARTS LIST



Item No.	Description	Part No.	Quantity
1	Nylon safety strap and hook	08-145-027	1
2	5/16in. quick link	45214	1
3	3/16in. x 9in. chain	08-145-007	1
*4	Mast guard	14-514-134	1
*5	¼ in. spring hook	0500499	4
*6	¼ in. x 60in. chain	99-145-036	2
7	Platform & ramp weldment: FTLP-5454 FTLP-5454-HR	14-513-011 14-513-012	1 1
*8	Handrail	14-524-001	2

* = Optional features usable with FTLP-5454-HR platform & ramp weldment.

FIG. 2A: FTLP-5454 Center of Gravity Diagram

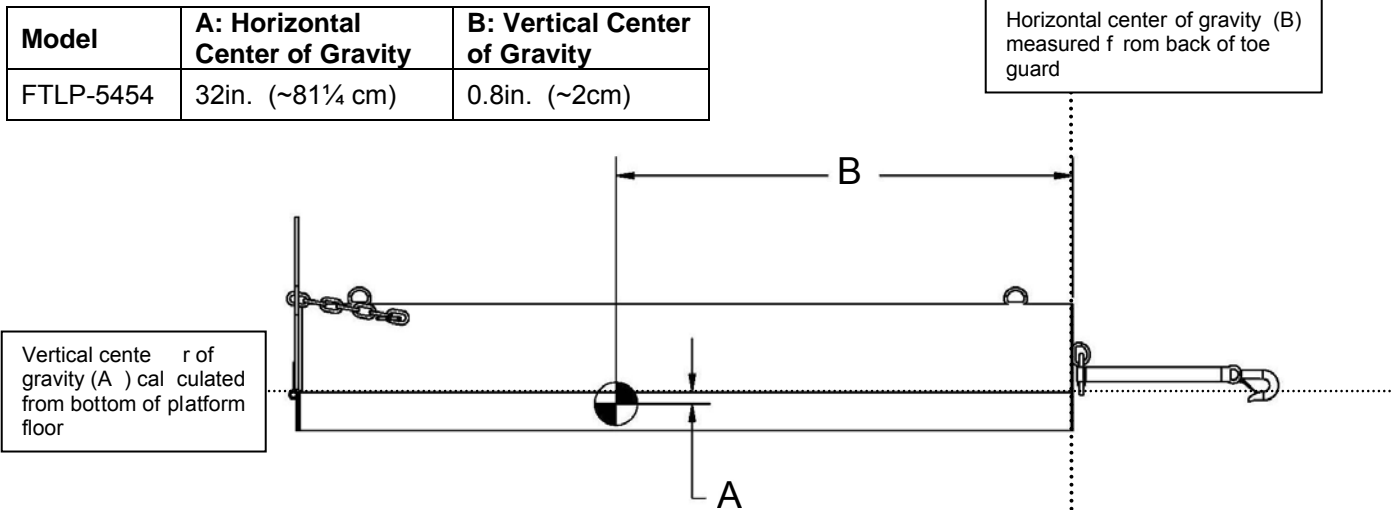


FIG. 2B: FTLP-5454-HR Center of Gravity Diagram

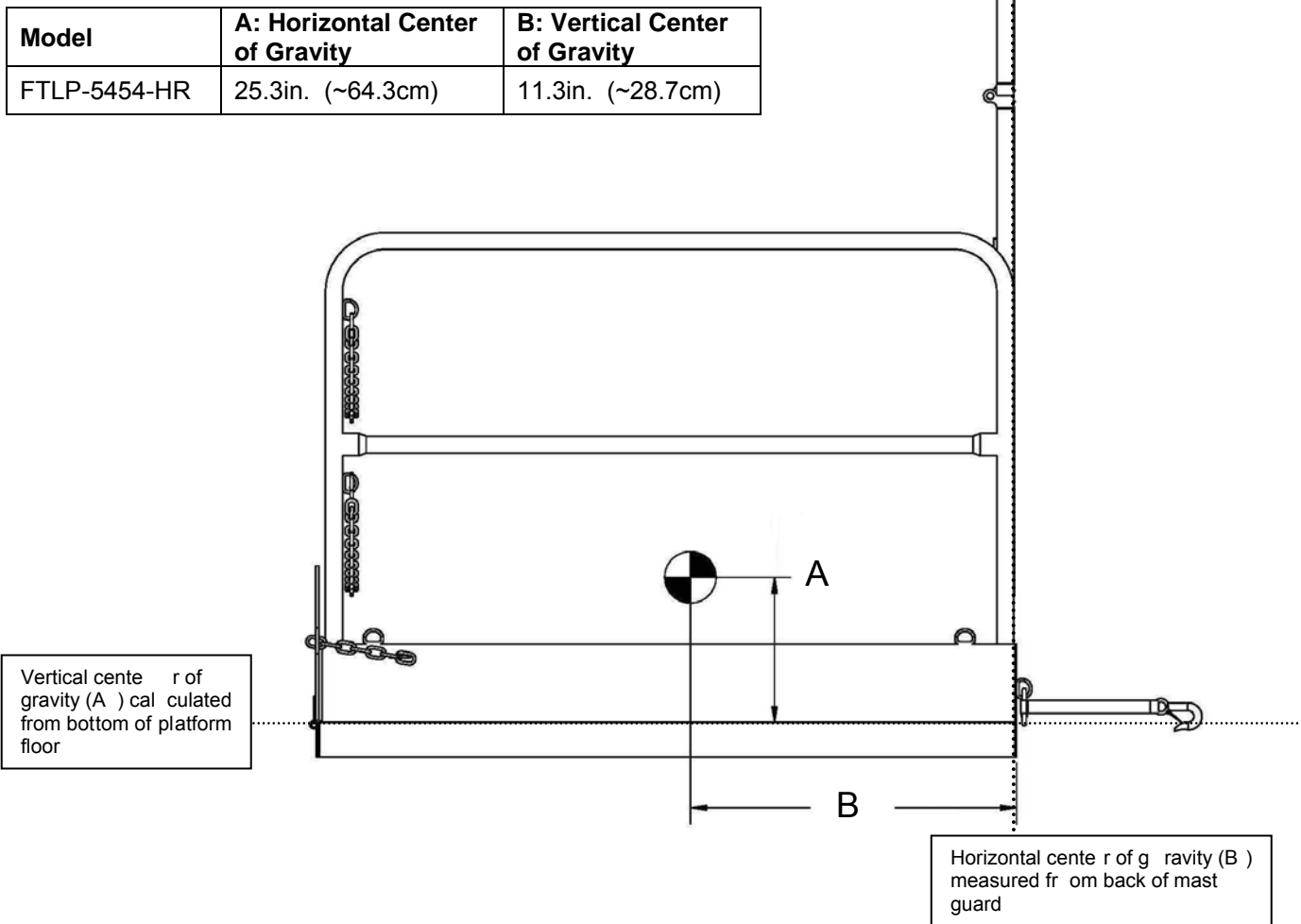
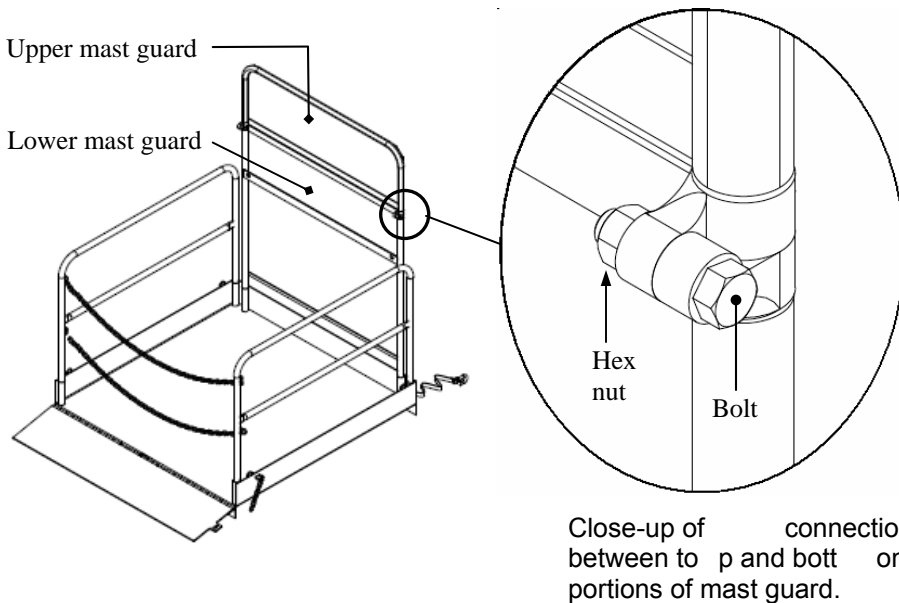


Fig. 3: Mast Guard Hinge



⚠ WARNING If the upper and lower portions of the mast guard are improperly fastened, the guard cannot adequately protect platform occupants. Therefore, make sure that hinge fasteners (circled in the drawings) are tightened to **35ft-lb of torque**. **Retighten the connection to 35 ft-lb whenever:**

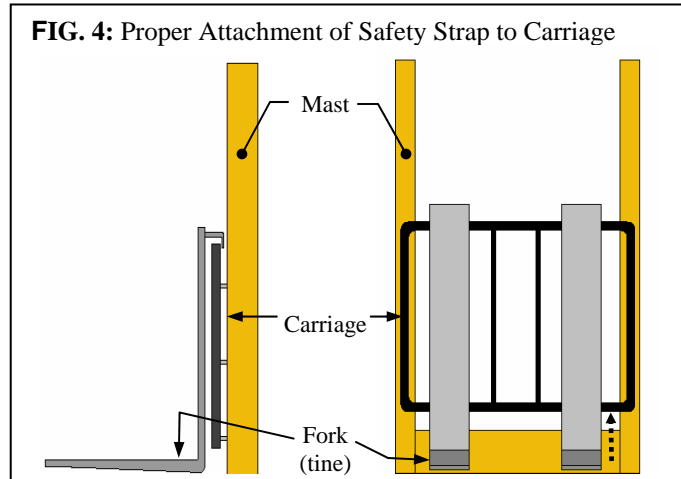
1. The work platform is taken out of storage:
 - Raise the upper portion of the mast guard, and then
 - Tighten the bolts and nuts.
2. If the mast guard is bumped (or deflected from vertical):
 - Immediately lower the platform to the ground; then
 - Straighten the mast guard (return it to the vertical orientation) and retighten the bolts and nuts.

Loading and using the platform:

Step 1: Mount the platform on the forks of your lift truck. Drive the fork truck forward until the toe guard (or mast guard for FTLP-5454-HR) contacts the back (vertical part) of the tines.

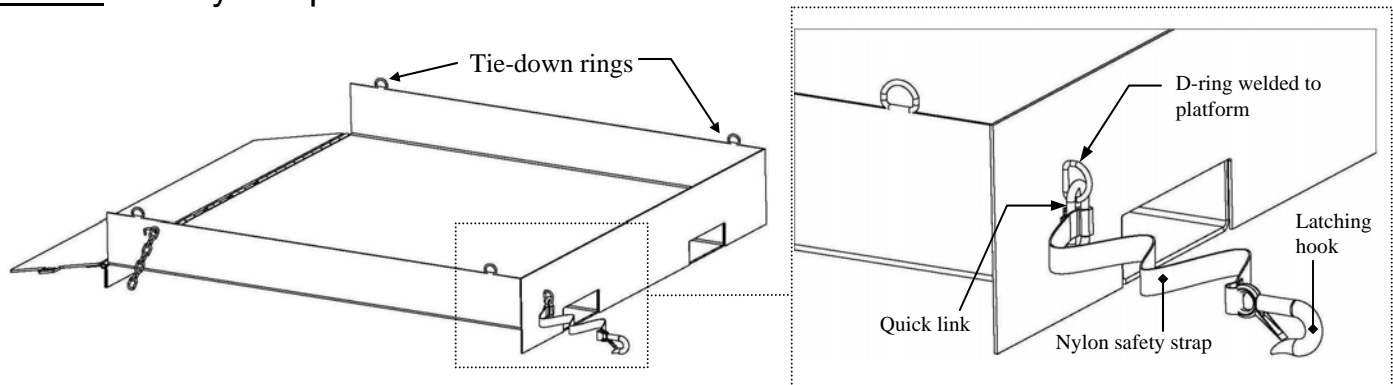
Step 2: Fasten the nylon safety strap to the fork carriage.

⚠ WARNING The nylon strap is an essential safety-enhancing feature. If the forks are accidentally tilted forward, the strap will not prevent the platform from sliding off of the fork lift if it is improperly connected to either the platform or the fork lift. Use the strap to connect the platform to the *carriage* of your fork truck. Wrap the strap around the carriage **with no slack** at the point indicated by dotted arrows in Fig. 4.



When the platform is delivered to you, you will also receive a nylon safety strap and a quick link. Attached to one end of the strap is a latching safety hook; at the other end is a small loop. Slide the small loop onto the quick link; then attach the quick link to the D-ring welded to the back of the platform (see Fig. 5 below) and close the link. Wrap the strap around the carriage (see FIG. 4 above) and connect the hook to the D-ring **with no slack**. Increase the number of wraps around the carriage, if necessary, to eliminate slack.

FIG. 5: Safety Strap Attachment to Platform



Step 3: Load the platform

WARNING The fork truck operator and bystander(s) might sustain serious personal injuries or could be killed if the platform is misused. Disregarding obvious hazards constitutes product misuse. To reduce the likelihood of harmful consequences:

- FTLP-series products are **medium-duty** rated platforms. Therefore, **ONLY** use the platform with sit-down rider high lift fork trucks having a maximum rated load of **at least** 3,000 pounds at a 24 in. load center.
- **ALWAYS** review the "Safety Guidelines" on p. 3 before each use.
- Apply ANSI/ITSDF B56.1-2005, "Safety Standard for Low Lift and High Lift Trucks," suggestions regarding the use of fork-mounted platforms. The publication is freely downloadable: <http://www.itsdf.org/pB56.asp>
- **When raised 4 feet (~1.2m) or higher**, guard rails are required if any person must occupy the platform to load/unload equipment. Do not lean against the handrails or safety chains. **NO** person should occupy the platform during load transport. Maximum occupancy is 2 persons.
- If work site practice requires that any person who occupies an elevated platform must wear a safety harness and lanyard, **only 1 person should connect to a given anchorage point**. Anchorage points are present at each end of the anchorage weldment (see arrows in FIG. 6). **NO** person should occupy the platform during load transport. Maximum occupancy is 2 persons.
- Only use the platform on smooth, level, finished surfaces capable of supporting the combined weight of the person(s) occupying the platform and all equipment and/or material present on the platform, the platform itself, the lift truck and operator.
- Avoid sudden stops or quick turns while transporting the platform.
- **DO NOT drive the fork truck while the platform is occupied.** If it is necessary to reposition the fork truck or to relocate the platform, fully lower the forks, require all persons to disconnect safety lanyards and dismount the platform.
- Set the parking brake before lifting the platform.
- Before transporting the platform, secure it to the (fork truck) mast. Inspect the platform for signs of damage, and verify that the ramp closure mechanism functions properly as shown in FIG. 7.

FIG. 6: Anchorage Points (arrows)

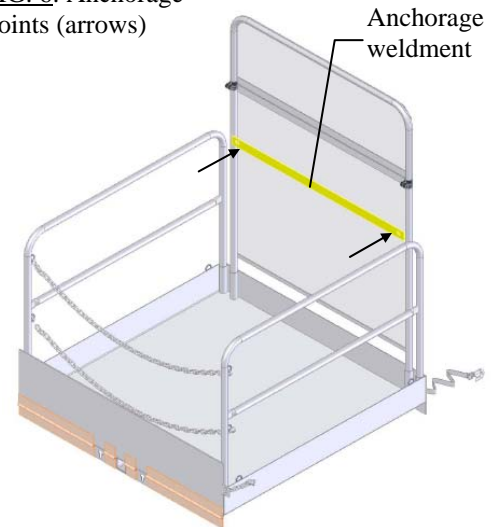
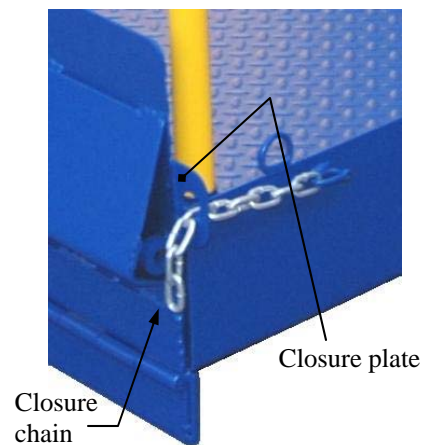


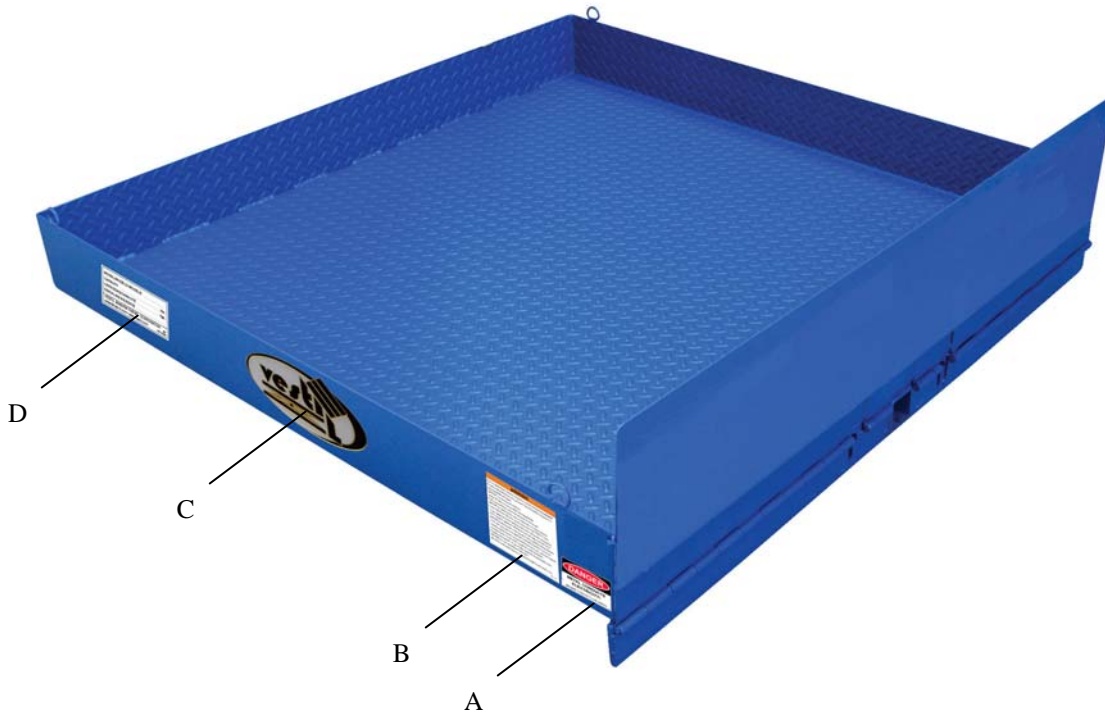
FIG. 7: Ramp Closure Mechanism



Load equipment onto the platform:

1. Pull upwards on the free end of the closure chain (see Fig. 7 above) pull the chain through the opening in the closure plate;
2. Lower the ramp;
3. Center the load/equipment on the platform;
4. Secure the load to the platform with tie-down straps or equivalent means. Attach the ends of the straps to the tie-down D-rings (see FIG. 5 on p. 6). Make sure that the load is immobilized and secured to the platform.
5. Raise the ramp and secure it with the closure chain. Lift the platform only as high as necessary to avoid contact with obstacles present along the path of travel. Transport the load to the desired location.
6. Adjust the elevation of the platform so that it rests on the surface that will receive the load/equipment (the bed of a truck, for example). Make sure that the platform is level; adjust the tilt of the mast if necessary to level the platform. Lower the ramp and release the tie-down straps. Transfer the equipment/load to the truck or other surface.
7. Raise the ramp and secure it with the closure chain; then return the platform to its storage location.

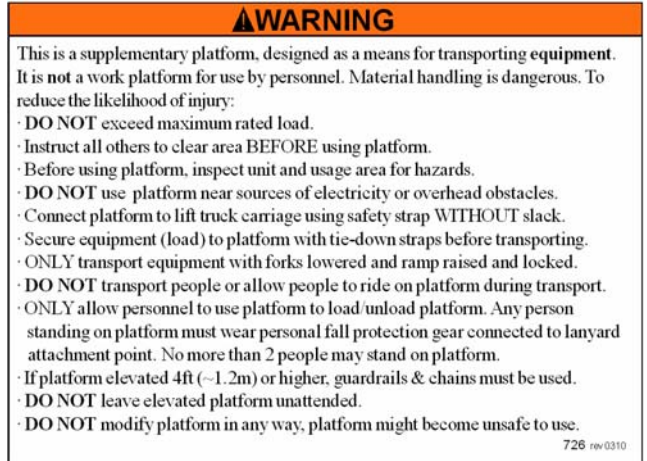
FIG. 8: Product Markings and Labels



A (Label #729)



B (Label #726)

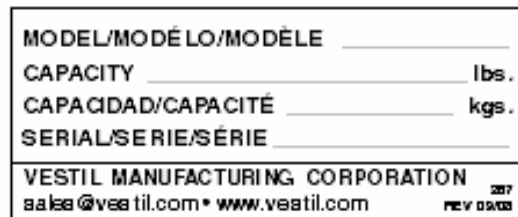


C (Large Vestil logo)



LOGO - Large

D (Label #287)



LIMITED WARRANTY

Vestil Manufacturing Corporation (“Vestil”) warrants this product to be free of defects in material and workmanship during the warranty period. *Our warranty obligation is to provide a replacement for a defective original part if the part is covered by the warranty, after we receive a proper request from the warrantee (you) for warranty service.*

Who may request service?

Only a warrantee may request service. *You are a warrantee if* you purchased the product from Vestil or from an authorized distributor AND Vestil has been fully paid.

What is an “original part”?

An original part is a part used to make the product as shipped to the warrantee.

What is a “proper request”?

A request for warranty service is proper if Vestil receives: 1) a photocopy of the Customer Invoice that displays the shipping date; AND 2) a written request for warranty service including your name and phone number. Send requests by any of the following methods:

Mail
Vestil Manufacturing Corporation
2999 North Wayne Street, PO Box 507
Angola, IN 46703

Fax
(260) 665-1339
Phone
(260) 665-7586

Email
sales@vestil.com

In the written request, list the parts believed to be defective and include the address where replacements should be delivered.

What is covered under the warranty?

After Vestil receives your request for warranty service, an authorized representative will contact you to determine whether your claim is covered by the warranty. Before providing warranty service, Vestil may require you to send the entire product, or just the defective part or parts, to its facility in Angola, IN. The warranty covers defects in the following *original* dynamic components: motors, hydraulic pumps, electronic controllers, switches and cylinders. It also covers defects in *original* parts that wear under normal usage conditions (“wearing parts”): bearings, hoses, wheels, seals, brushes, batteries, and the battery charger.

How long is the warranty period?

The warranty period for original components is 90 days. The warranty period begins on the date when Vestil ships the product to the warrantee. If the product was purchased from an authorized distributor, the period begins when the distributor ships the product. Vestil may extend the warranty period for products shipped from authorized distributors by *up to* 30 days to account for shipping time.

If a defective part is covered by the warranty, what will Vestil do to correct the problem?

Vestil will provide an appropriate replacement for any *covered* part. An authorized representative of Vestil will contact you to discuss your claim.

What is not covered by the warranty?

1. Labor;
2. Freight;
3. Occurrence of any of the following, which automatically voids the warranty:
 - Product misuse;
 - Negligent operation or repair;
 - Corrosion or use in corrosive environments;
 - Inadequate or improper maintenance;
 - Damage sustained during shipping;
 - Collisions or other incidental contacts causing damage to the product;
 - Unauthorized modifications: DO NOT modify the product IN ANY WAY without first receiving written authorization from Vestil. Modification(s) might make the product unsafe to use or might cause excessive and/or abnormal wear.

Do any other warranties apply to the product?

Vestil Manufacturing Corp. makes no other express warranties. All implied warranties are disclaimed to the extent allowed by law. Any implied warranty not disclaimed is limited in scope to the terms of this Limited Warranty.

