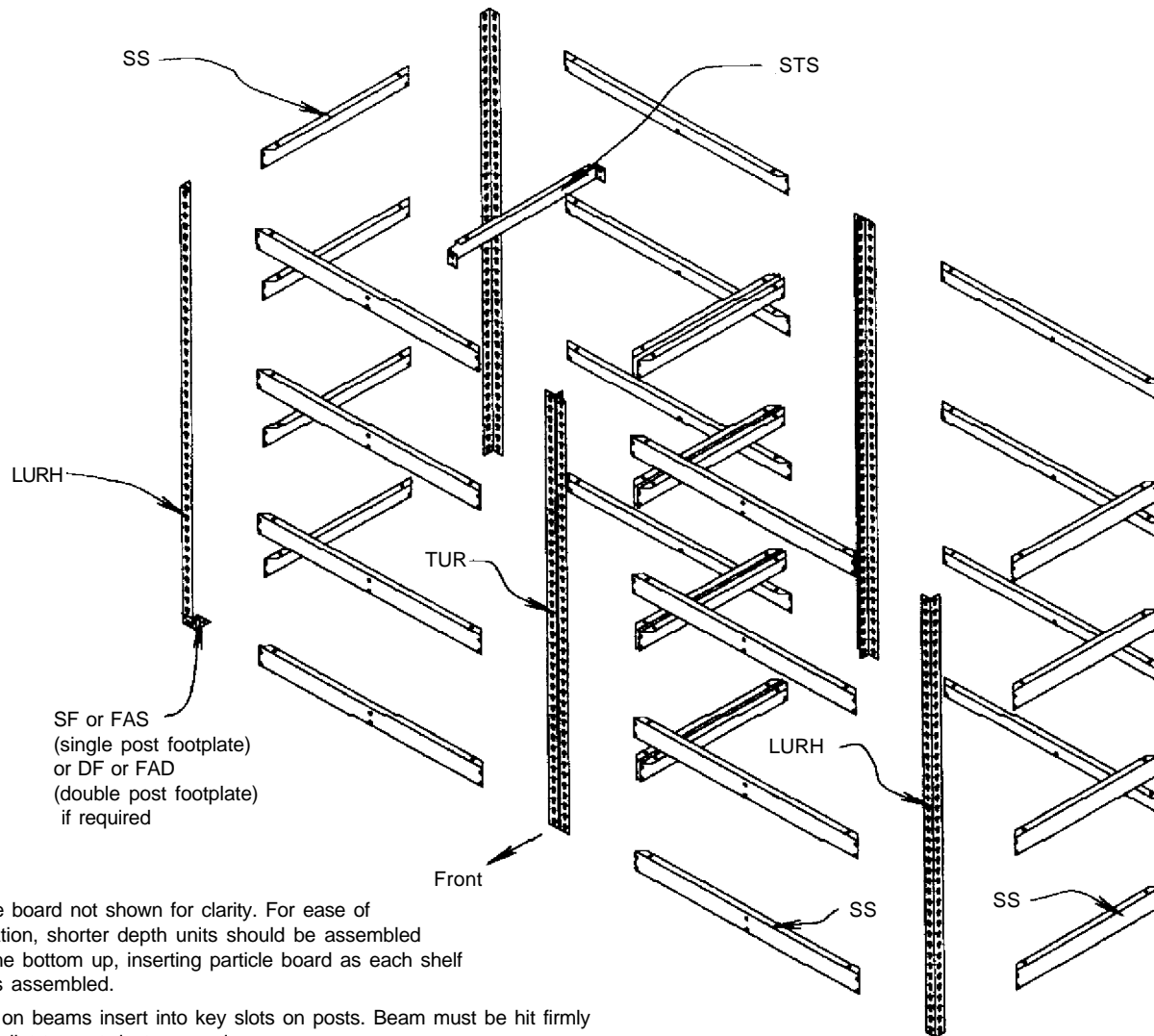
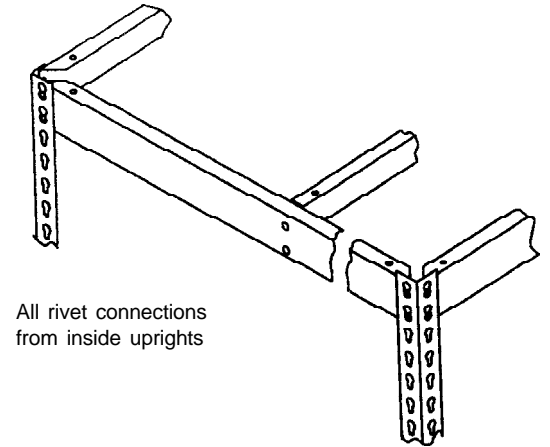


Assembly Instructions Long Span Shelving (starter & adder units)



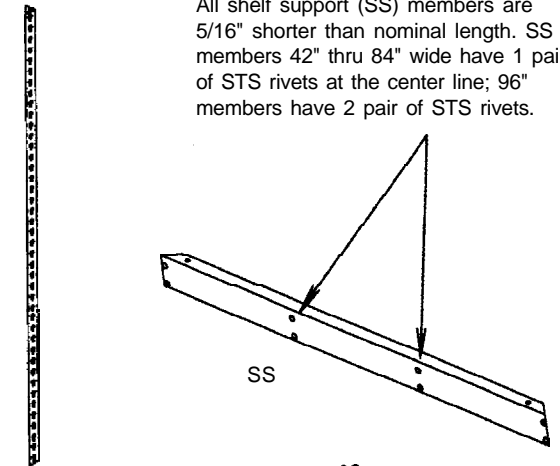
NOTES

- Particle board not shown for clarity. For ease of installation, shorter depth units should be assembled from the bottom up, inserting particle board as each shelf level is assembled.
- Rivets on beams insert into key slots on posts. Beam must be hit firmly with mallet to seat rivets properly.
- Bottom beam level to be 3" max. from ground level.
- 4 LURH angle posts per starter unit; 2 TUR "tee" posts per adder unit.
- CAUTION - TUR post is not suitable for high rise, heavy duty or seismic applications. These applications may require LURHD posts instead of TUR and LURH posts.

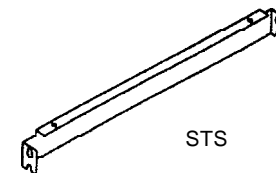


All rivet connections
from inside uprights

All shelf support (SS) members are 5/16" shorter than nominal length. SS members 42" thru 84" wide have 1 pair of STS rivets at the center line; 96" members have 2 pair of STS rivets.



SS



STS

STS required on heavy duty units only. Optional on all other units 42" and over in width.