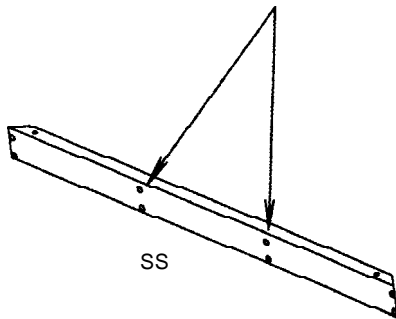


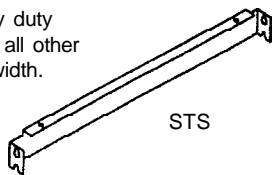
All rivet connections from inside uprights

All shelf support (SS) members are 5/16" shorter than nominal length. SS members 42" thru 84" wide have 1 pair of STS rivets at the center line; 96" members have 2 pair of STS rivets.

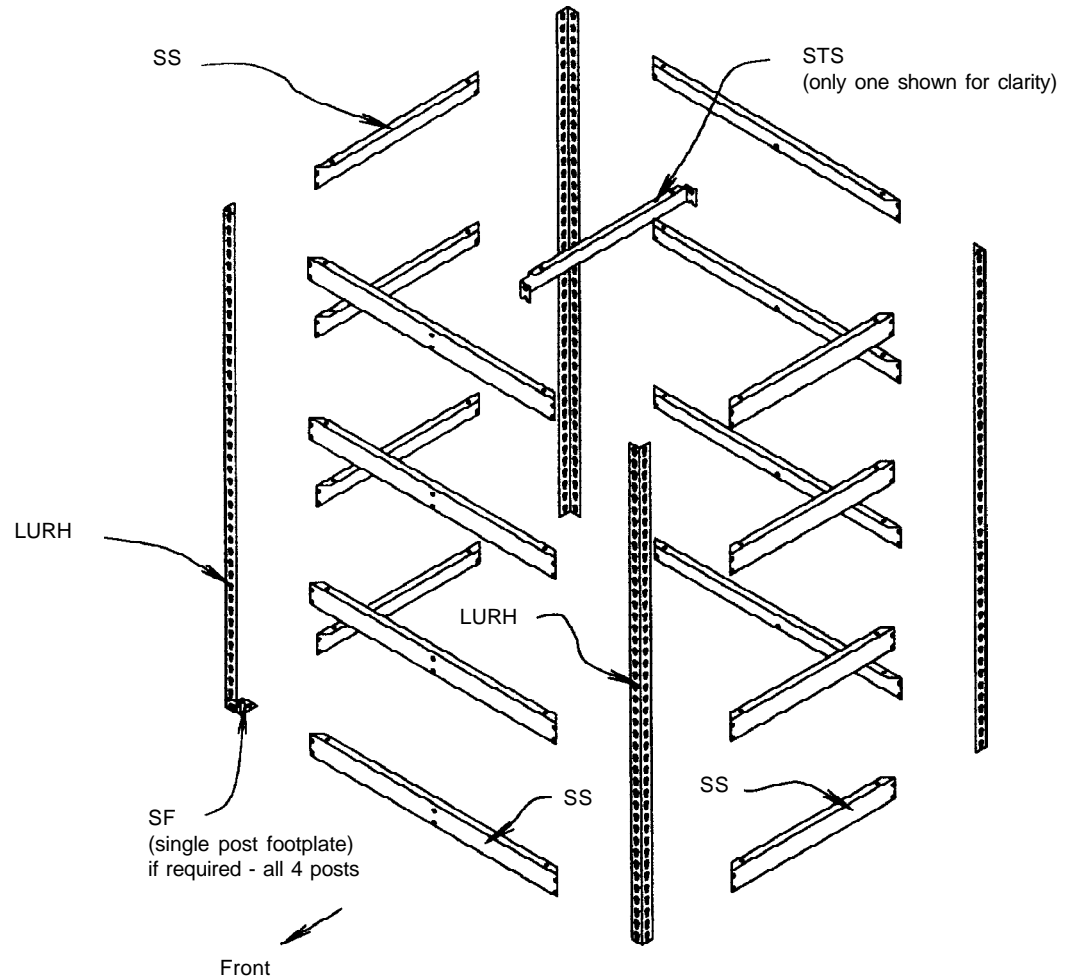


SS

STS required on heavy duty units only. Optional on all other units 42" and over in width.



STS



NOTES

- Particle board not shown for clarity. For ease of installation, shorter depth units should be assembled from the bottom up, inserting particle board as each shelf level is assembled.
- Rivets on beams insert into key slots on posts. Beam must be hit firmly with mallet to seat rivets properly.
- Bottom beam level to be 3" max. from ground level.