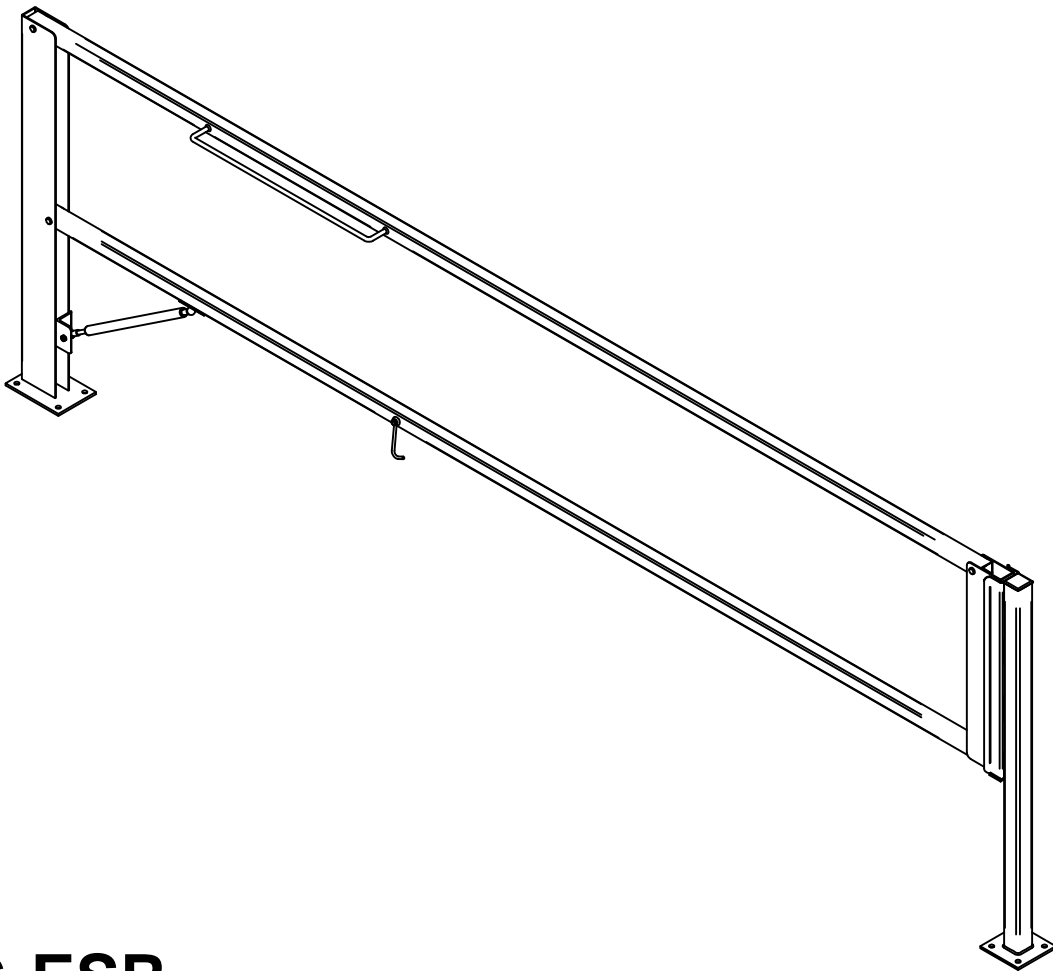




EdgeGard™ Dock Gate, Straight-Rail

Installation Instructions



WG-ESR
(SP0102)

Table of Contents

| | |
|------------------------------|----|
| General Specifications | 1 |
| Product Description | 2 |
| Installation Procedure | 3 |
| Component Parts | 9 |
| Warranty | 10 |

Thank you

We know that in today's competitive marketplace, customers have many choices when purchasing safety products. We appreciate your choosing Wildeck's high quality EdgeGard™ dock gate and know you have made a wise decision.

Our continued reputation as one of the top manufacturers of industrial products rests with the satisfaction of each and every customer. Wildeck products are *Crafted with Confidence* by employee owners in Waukesha, Wisconsin, USA. Should you have any questions or require installation assistance, please do not hesitate to contact your local Wildeck representative or Wildeck's customer service department at 1-800-325-6939.

Thank you for allowing Wildeck to serve your needs.

General Specifications

Features and Benefits:

- ▶ EdgeGard™ Gate top rails are 42" high (above floor Level) when closed.
- ▶ Requires minimal floor space and is easily assembled and installed.
- ▶ Strong balanced construction withstands 200 lbs. top rail pressure. Meets OSHA 1910.23 load force protection requirement.
- ▶ Counterbalanced gas cylinder(s) allow easy lifting and safe gate operation.
- ▶ Black safety stripe on bright yellow paint finish ensures high visibility.
- ▶ Quality Wildeck® gates are manufactured in the USA and provide a long service life.

Specifications:

- ▶ Weight:

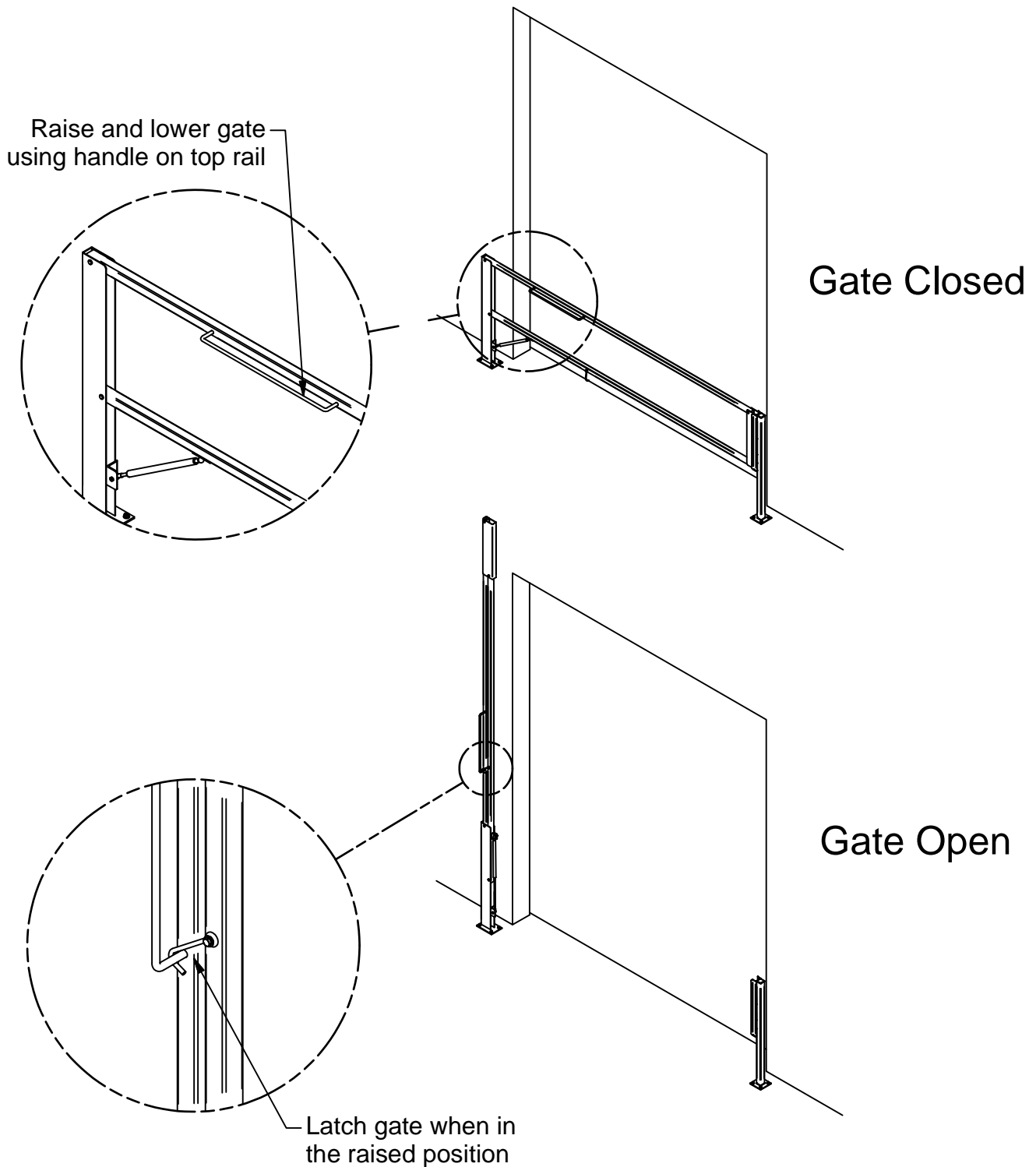
| | |
|--------------------|--------------------------------------|
| Straight-Rail Gate | 71 lbs (8 ft.) 77 lbs (10 ft.) |
| Folding-Rail Gate | 110 lbs (10 ft.) 116 lbs (12 ft.) |
- ▶ Installation Footprint:
(overall width and height clearance when raised)

| | |
|--------------------|--|
| Straight-Rail Gate | 110"W x 143"H (8 ft.) 134"W x 167"H (10 ft.) |
| Folding-Rail Gate | 141"W x 104"H (10 ft.) 165"W x 116"H (12 ft.) |

NOTE: The gate sizes listed above are Wildeck's standard product, other gate sizes available on request.

Product Description

The Straight-Rail EdgeGard™ Dock Gate is a personnel barrier, protecting the open edge of a dock door, truck loading pit or other hazardous area. The gate can be installed so that the gate opens from right-to-left or from left-to-right. Below depicts the gate opening from right-to-left.



Installation Procedure

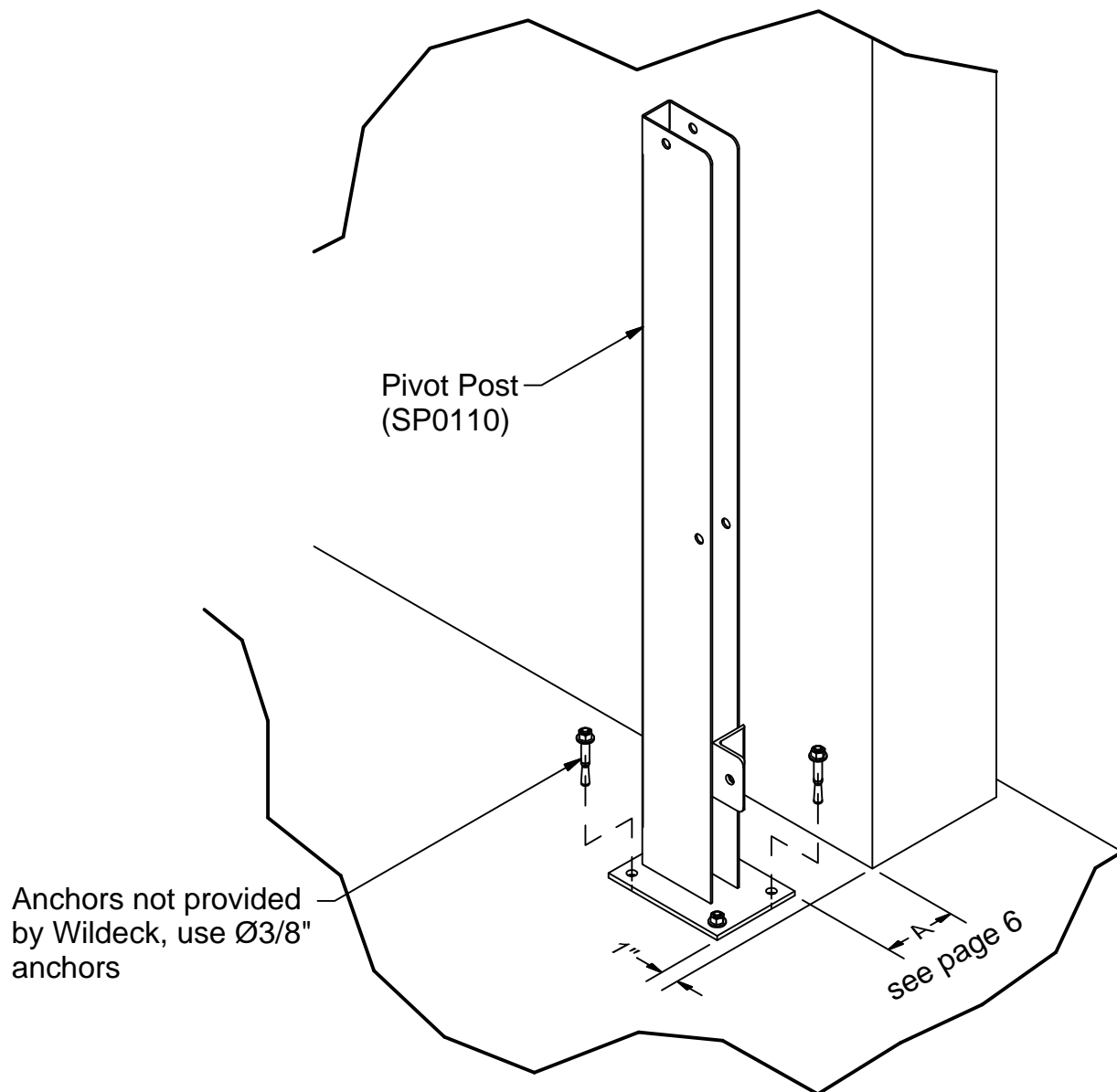
It is recommended to start installation of gate from the pivot post and work towards the receiver post. The gas spring to be the last item assembled onto the gate.

1. Position pivot post in desired location and anchor to floor.

NOTES:

Dimension A to match on page 6.

Refer to the assembly drawing # SP0102 at the end of these instructions to aid in assembly of the gate.



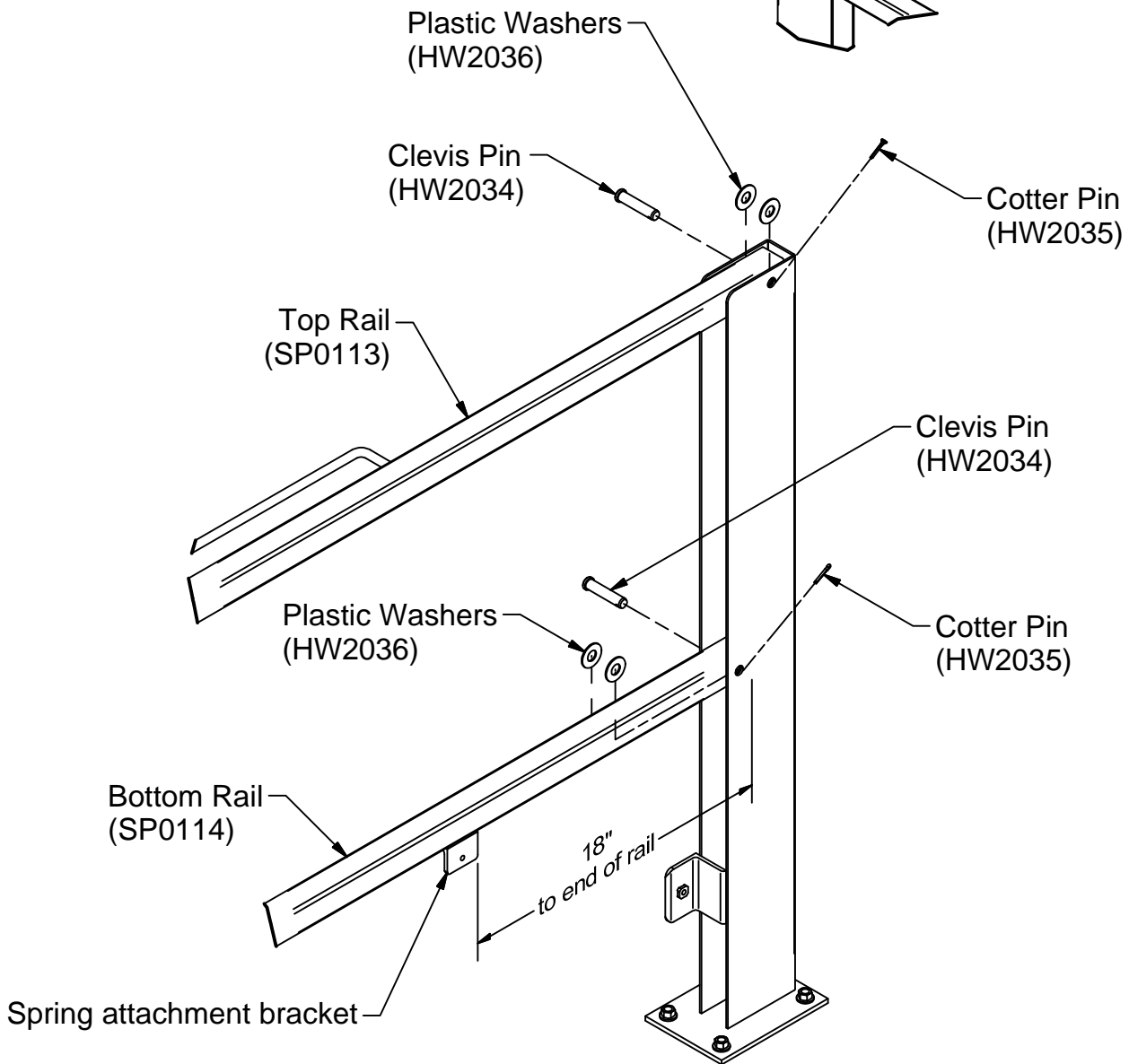
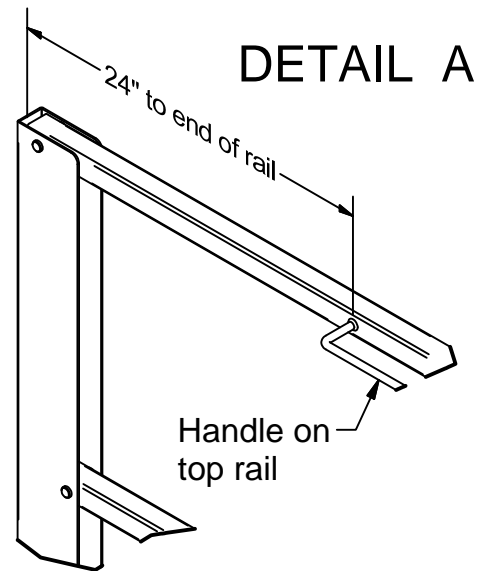
Installation Procedure

2. Slide top and bottom rails into pivot post and secure with clevis pins. Plastic washers are used between the rails and the post (both sides of tubes).

NOTES:

The bottom rail with spring attachment bracket must be oriented as shown below.

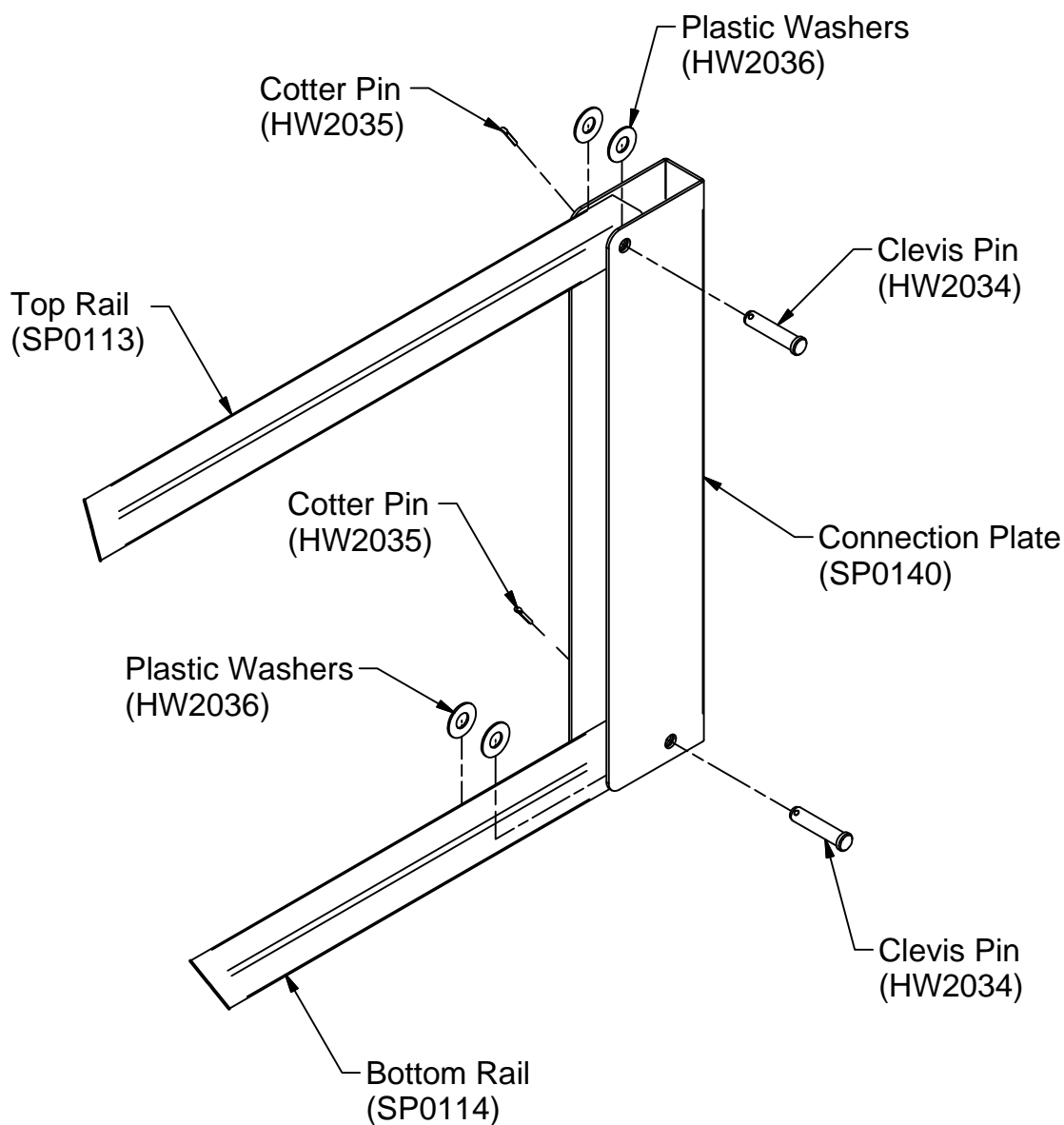
The handle on the top rail must be oriented as shown in Detail A.



Installation Procedure

- Slide top and bottom rails into connection plate and secure with clevis pins. Plastic washers are used between the rails and the connection plate (both sides of tubes).

Note orientation of holes in connection plate. The top rail is connected to the hole near the outside corner of the plate and the bottom rail is connected to the hole near the bottom center of the plate.



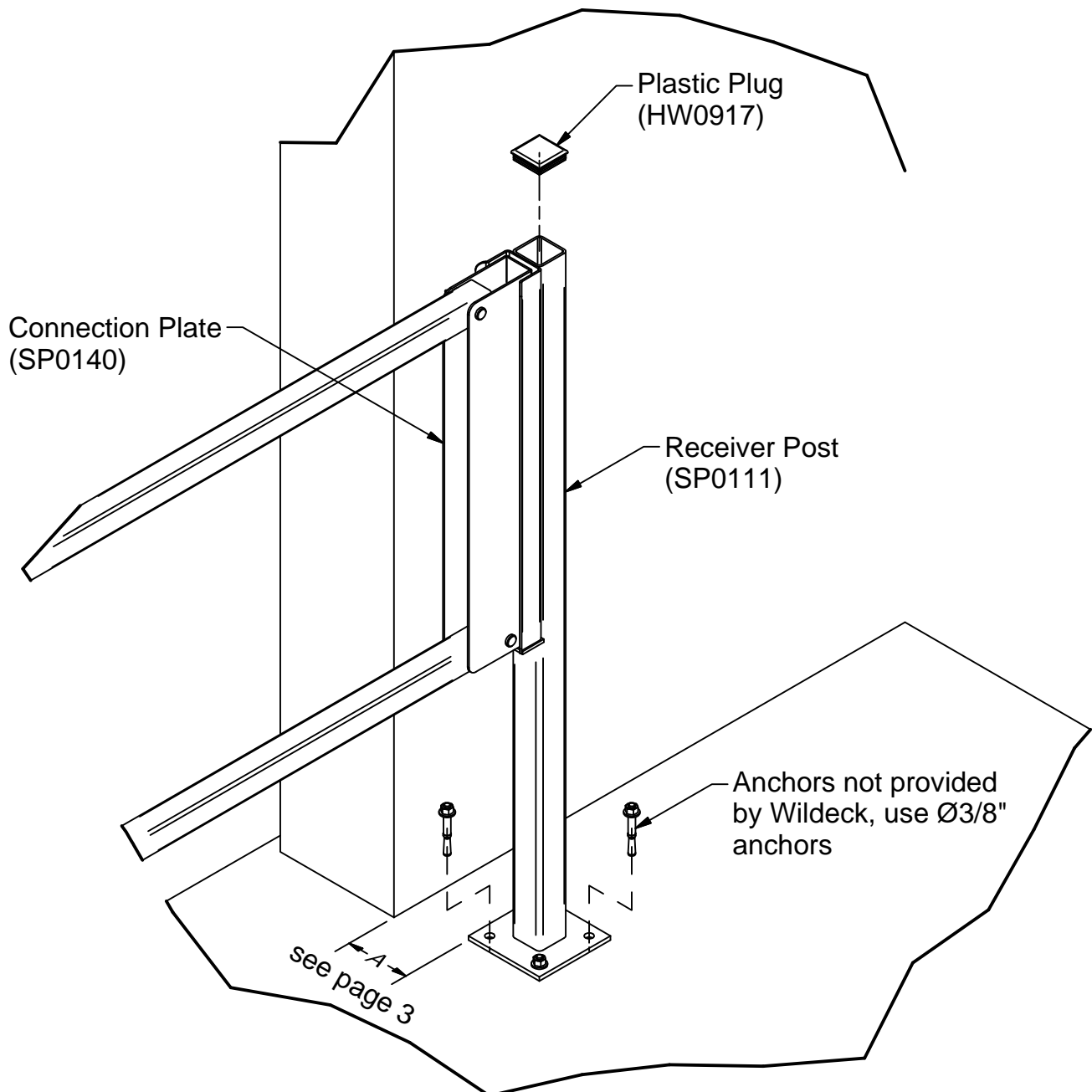
Installation Procedure

4. Place receiver post into position next to the connection plate, (set connection plate onto receiver post).

5. Anchor to floor.

NOTE: Before anchoring receiver post, double check that the base plate is aligned with the pivot post base plate, Dimension A.

6. Cap receiver post with plastic plug.



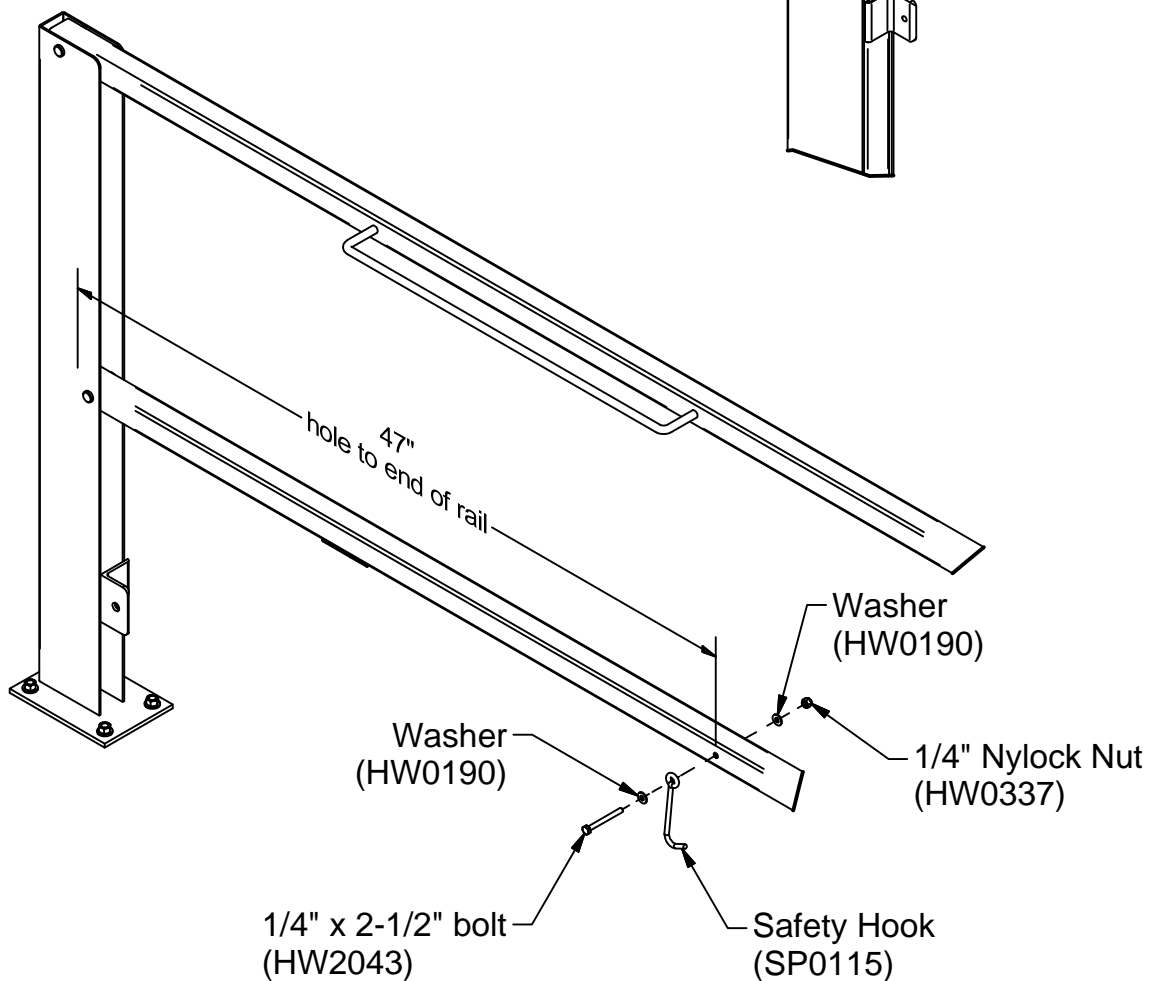
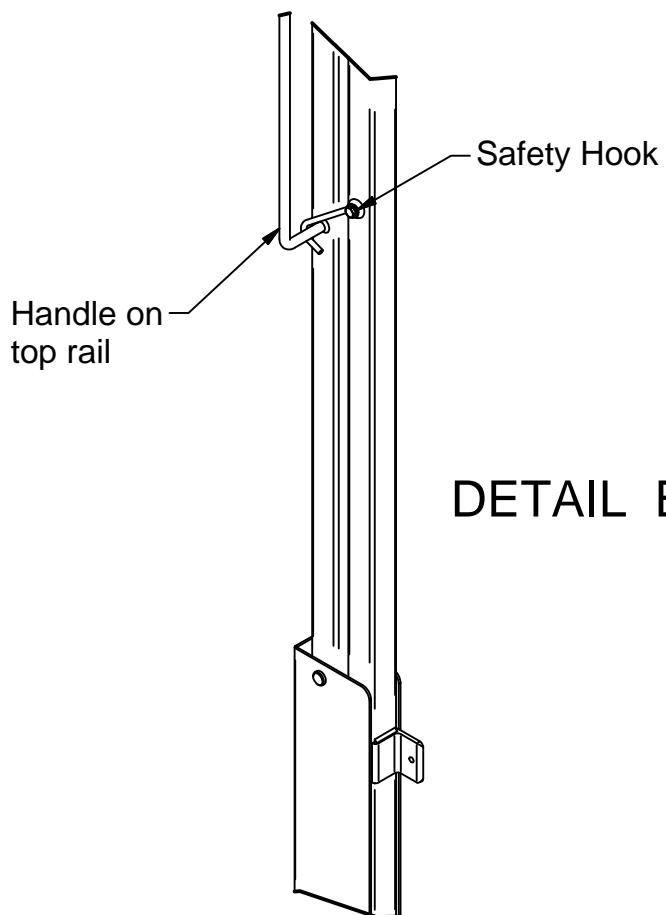
Installation Procedure

7. Before attaching gas spring, attach safety hook to bottom rail. Assemble hook to rail as shown below.

NOTES:

The safety hook must be free to swivel, do not overtighten bolt.

When gate is open the hook latches onto lower portion of the handle, as shown in Detail B.



Installation Procedure

NOTE: It may be advantageous to have a second person help with the following steps.

8. Attach ball studs to spring attachment brackets on both the bottom rail and the pivot post (2 places). Secure the studs with jam nuts.

NOTE: The ball studs must be oriented in opposite directions, as shown.

9. Thread ball sockets onto gas spring.
10. Remove clips from the ball sockets.
11. Lift the rails to the fully open position and latch hook onto handle.

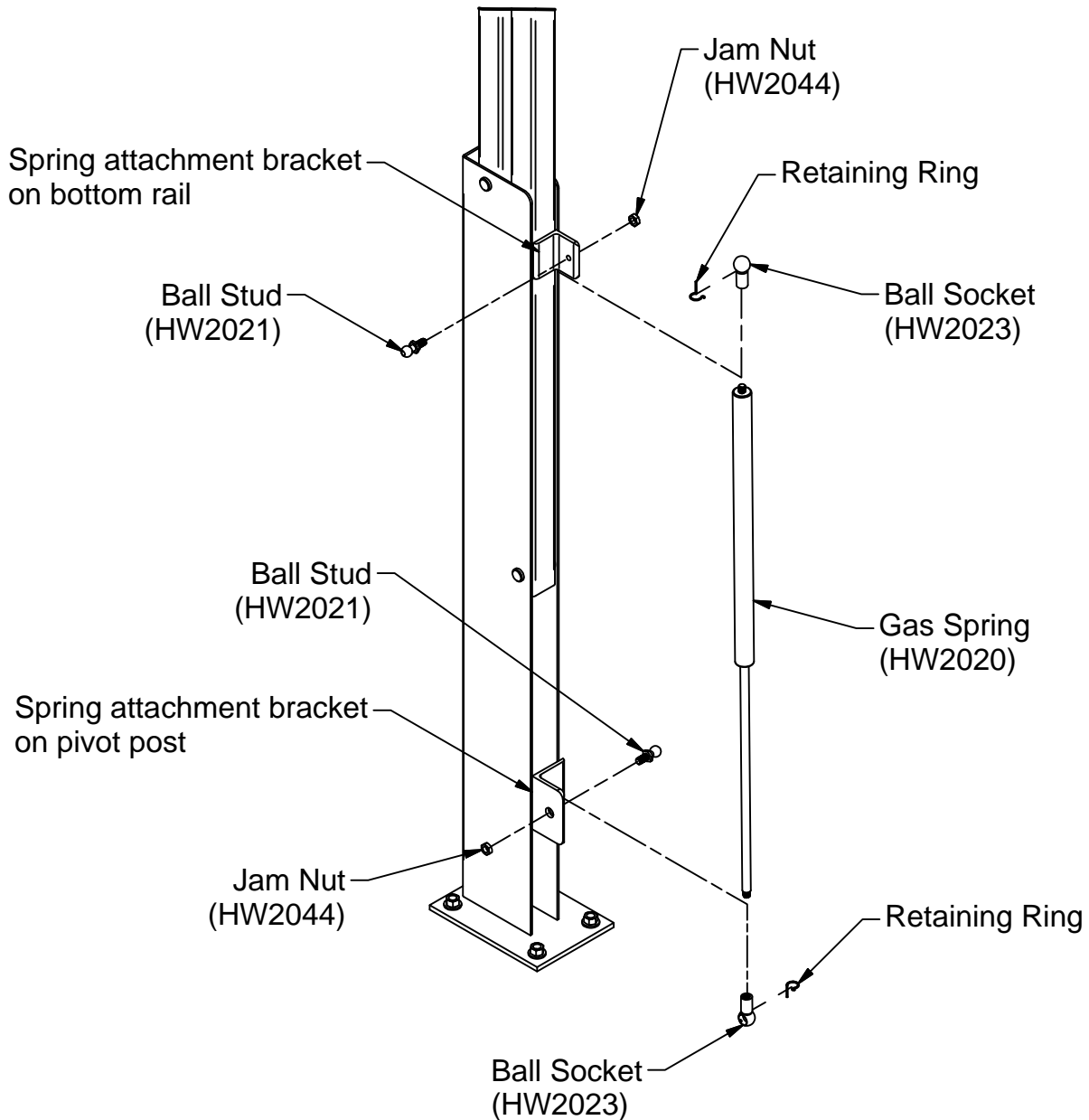
12. Attach gas spring to ball studs with the rod pointing down as shown.

13. Secure ball sockets onto studs with the retaining clips.

14. After the spring has been attached, double check that the spring is centered vertically with the post, adjust accordingly.

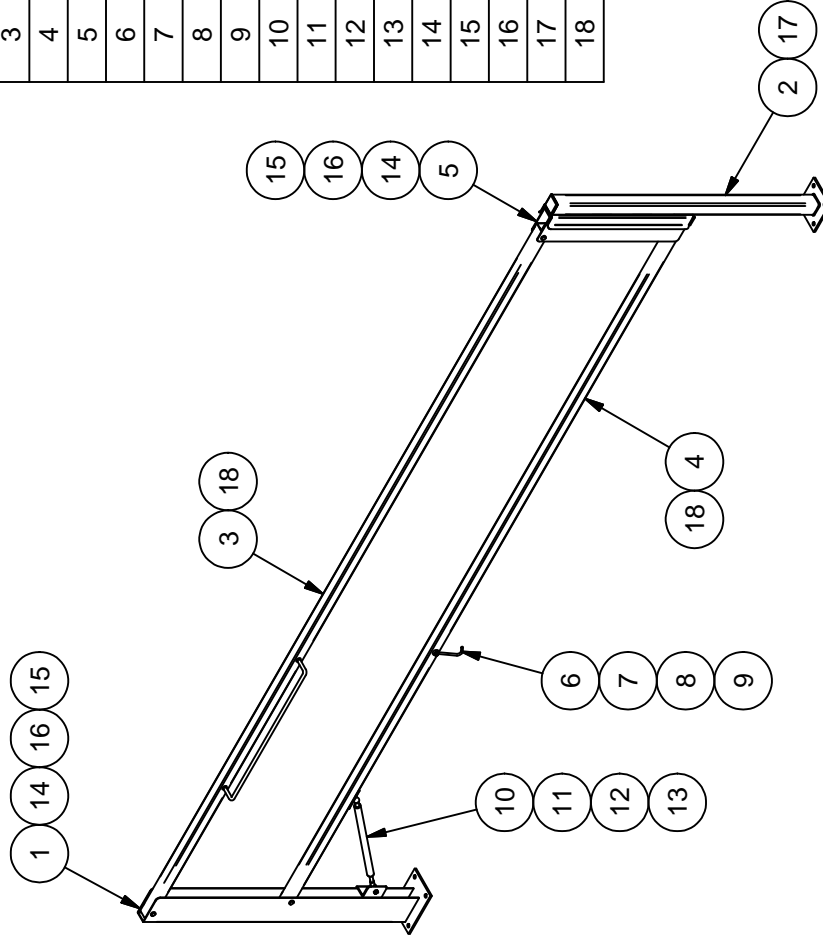
15. Close and open gate to make sure nothing binds, fix accordingly.

16. Apply striped tape to rails as desired.



BILL OF MATERIALS

| ITEM | QTY | DESCRIPTION | PART # |
|------|-----|---------------------------------------|--------|
| 1 | 1 | PIVOT POST, STATIONARY | SP0110 |
| 2 | 1 | RECEIVER POST | SP0111 |
| 3 | 1 | TOP RAIL w/HANDLE | SP0113 |
| 4 | 1 | BOTTOM RAIL | SP0114 |
| 5 | 1 | RAIL CONNECTION PLATE | SP0140 |
| 6 | 1 | SAFETY HOOK | SP0115 |
| 7 | 1 | HHCS, 1/4-20 x 2 1/2" | HW2043 |
| 8 | 2 | FLAT WASHER, 1/4" | HW0190 |
| 9 | 1 | NYLOCK, 1/4-20 UNC | HW0337 |
| 10 | 1 | GAS SPRING w/THREADED ENDS | HW2020 |
| 11 | 2 | BALL SOCKET | HW2023 |
| 12 | 2 | BALL STUD | HW2021 |
| 13 | 2 | JAM NUT, 5/16-18 UNC | HW2044 |
| 14 | 4 | CLEVIS PIN, 1/2" DIA. x 2 1/4" LENGTH | HW2034 |
| 15 | 8 | PLASTIC WASHER, 1/2" ID x 1 1/4" OD | HW2036 |
| 16 | 4 | COTTER PIN, 1/8 | HW2035 |
| 17 | 1 | PLASTIC CAP FOR 2" SQ. TUBE | HW0917 |
| 18 | 1 | STRIPED TAPE, YELLOW/BLACK | HW2038 |



| | | | |
|--------------------------------------|------------------------|------------------|--------|
| DRN BY: BRT | DATE: 2/10/2009 | Bill of Material | JOB #: |
| REV: 2 | DATE: 2/25/2010 | | |
| Straight Rail EdgeGard Gate (WG-ESR) | | | QTY: |



EdgeGard™ Dock Gates

WARRANTY

Wildeck EdgeGard™ Dock Gates are warranted to be free of material defects and workmanship for a period of one (1) year. When properly anchored, EdgeGard™ Dock Gates are also warranted to meet the 200 lb. OSHA 1910.23 load force protection requirement.

The warranty begins at time of shipment from Wildeck's factory. Labor to install, adjust, maintain or replace the warranted gate, or any component part, is not included.

This warranty is valid only if the Wildeck EdgeGard™ Dock Gate has been installed in complete accordance with Wildeck's Installation Instructions. Improperities including but not limited to abuse, negligence, or failure to install, maintain or adjust the equipment properly, will void the warranty.

The warranty is also voided if unauthorized parts, hardware or equipment are installed, or modifications are made to the Wildeck EdgeGard™ Dock Gate without prior written authorization. Wildeck reserves the right to change, at any time, the material, design or specifications of its products without obligation to subsequent purchases, or add improvements without making corresponding changes to products previously manufactured.

WILDECK SHALL NOT IN ANY EVENT BE LIABLE FOR ANY DAMAGES, WHETHER BASED ON CONTRACT, WARRANTY, NEGLIGENCE, STRICT LIABILITY OR OTHERWISE, INCLUDING WITHOUT LIMITATION ANY CONSEQUENTIAL, INCIDENTAL OR SPECIAL DAMAGES, ARISING WITH RESPECT TO THE EQUIPMENT OR ITS FAILURE TO OPERATE, EVEN IF WILDECK HAS BEEN ADVISED OF THE POSSIBILITY THEREOF.

WILDECK MAKES NO OTHER WARRANTY OR REPRESENTATION OF ANY KIND, EXCEPT THAT OF TITLE, AND ALL OTHER WARRANTIES, EXPRESSED OR IMPLIED, INCLUDING WARRANTIES OR MERCHANTABILITY AND FITNESS FOR A PARTICULAR PURPOSE, ARE HEREBY EXPRESSLY DISCLAIMED.

Order No. _____



P.O. Box 89 • 405 Commerce Street
Waukesha, WI USA 53186
262-549-4000 • 800-325-6939
FAX 262-549-3466 • info@wildeck.com
www.wildeck.com